

ABB MEASUREMENT & ANALYTICS | PARTS LIST | PL/FMT230/250-EN REV. A

SensyMaster FMT230, FMT250

Thermal mass flowmeter



Measurement made easy

SensyMaster FMT230 / 250

Additional Information

Additional documentation on SensyMaster FMT230, FMT250 is available for download free of charge at www.abb.com/flow.

Alternatively simply scan this code:



Table of contents

1	Safety instructions for repair work	3
2	Name plate specifications for spare parts orders	4
	Name plate of flowmeter sensor in integral mount design (example)	4
3	Terminal box (remote mount design).....	5
4	Electronic unit	6
5	Activation codes.....	7
6	Accessories	7

1 Safety instructions for repair work

ABB flowmeters are designed to be easy to repair thanks to uniform replacement parts and simple replacement of predefined parts.

However, if repair work is not carried out in accordance with the guidelines, this may result in malfunctioning of the device, causing serious injury to persons, and harm to the environment. This is especially true for safety-critical devices and those certified for use in explosion hazard environments.

Certifications will also lapse if the repairs were not carried out with the proper tool or by persons without adequate training. We therefore recommend all repair work on flowmeters be carried out by ABB service technicians.

As the manufacturer of the device, ABB cannot guarantee the necessary quality of the repair procedures if the work and/or parts exchange was not carried out by ABB.

The plant operator is responsible for all repairs carried out by the customer, plant operator, or third party. In this case, ABB will reject all responsibility for any improper device functionality, in particular all safety-related functions.

ABB does not assume any liability for the deterioration or loss of device performance, malfunctions, or damage arising from the above repair work or replacement. All liability for defects shall lapse when the replacement or repair work is not carried out by ABB.

If you are unsure about the repair process even if some or all replacement parts are available, please get in touch with ABB Service before beginning work.

Respect national and internal laws when carrying out repairs. In particular laws relating to certified flowmeters used in explosion hazard environments. Repair work which is carried out without following the legal requirements can result in the revocation of your operating permit.

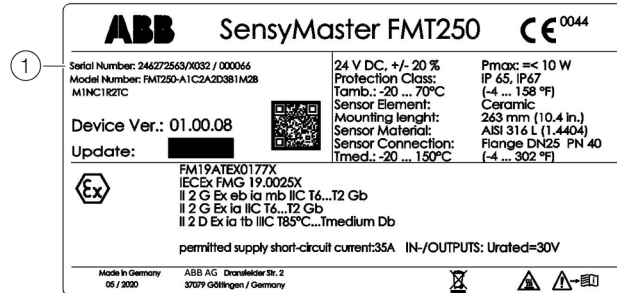
For more information, go to www.abb.com/flow or contact your local ABB Customer Service Center.

2 Name plate specifications for spare parts orders

The flowmeter version can be identified by referring to the name plate that is attached to the housing.

Name plate of flowmeter sensor in integral mount design (example)

When placing spare parts orders, always remember to state the serial number as shown on the name plate.



① Serial number

Figure 1: Name plate of flowmeter sensor in integral mount design (example)

Note

Prices available upon request!

3 Terminal box (remote mount design)

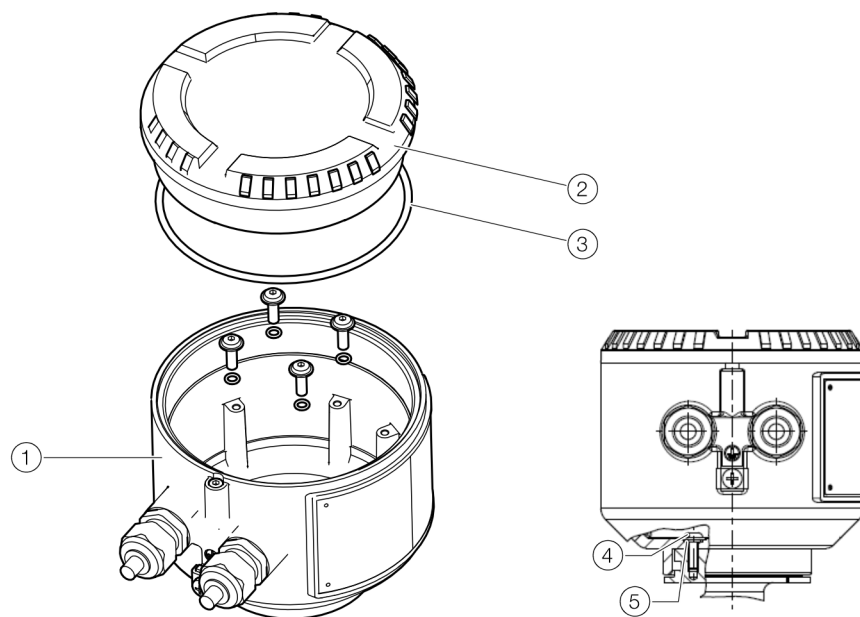


Figure 2: Terminal box

Position	Designation	Variant	Ordering number	Recommended spare part
①	Terminal box aluminum M20		3KXF002568U0300	
	Terminal box aluminum NPT		3KXF002568U0400	
	Terminal box stainless steel M20		3KXF002567U0300	
	Terminal box stainless steel NPT		3KXF002567U0400	
②	Cover without glass pre-assembled		D612A226U01	
	Cover without glass pre-assembled (EX)		D612A226U02	
	Cover without glass pre-assembled	Stainless steel	3KQZ407109U0100	
③	O-ring 118,00x3,70 NBR		D101A034U05	
④	O-ring 4.76 x 1.78 NBR		D101A034U07	
⑤	Pan-head screw with cross recess M4 x 12		D396A014U02	

4 Electronic unit

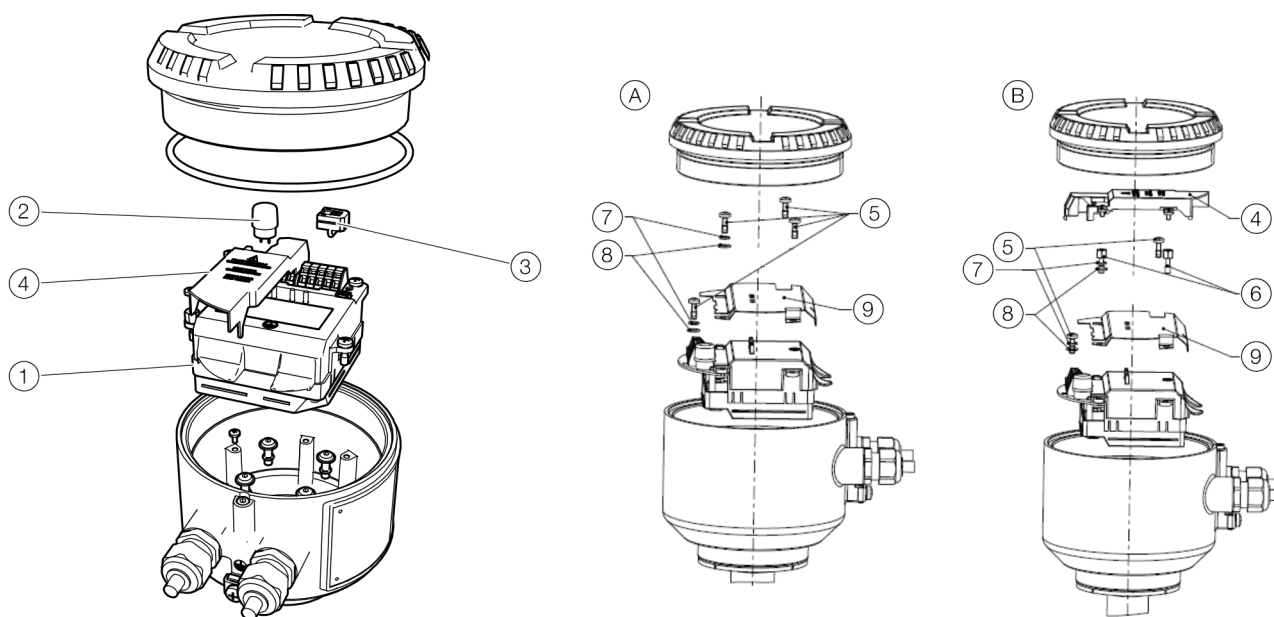


Figure 3: Electronics

Position	Designation	Variant	Ordering number	Recommended spare part
①	SlideIn FMT2	GP, zone 2, division 2	3KXF002811U1100	X
	SlideIn FMT2	Division 1	3KXF002811U1200	X
	SlideIn FMT2	Zone 1	3KXF002811U1300	X
②	Fuse 0.5A		3KQR000443U0100	X
③	Sensor memory, pre-programmed	Serial number is required (available for devices from 12/2023)	3KXF002906U0100A	
④	Cover power supply		3KXF002617U0200	
⑤	Pan head screw ISO7380 M5 x 16 A2		3KQP000043U0100	
⑥	Spacer bolt for Ex M4 x 8 SW7		3KXF002616U0100	
⑦	Spring washer B 4.0 DIN 127 stainless	Accessorie for Pos. ⑤ in zone 1	D085C020BU20	
⑧	Washer A 4.3 DIN 125 without chamfer stainless		D085A021AU20	

5 Activation codes

Position	Designation	Variant	Ordering number	Recommended spare part
	Release code FillMass	FMT250 only	3KXS360060L0002	
	Release Code VeriMass	—	3KXS360060L0003	
	Release Code Extended Range	—	3KXS360060L0005	

6 Accessories

Position	Designation	Variant	Ordering number	Recommended spare part
	Local Operating Interface for FCB1/FMT2		3KXS360040L0001	
	Hexagon head screw M12x50 DIN 931		210206	
	Hexagon nut M12 DIN 934		210207	
	O-ring DVGW HNBR 55x3		3KQP002127U0300	
	O-ring Kalrez Spectrum 6375 55,2x3		3KQP002129U0100	
	O-ring FKM 70 682 55x3		3KQP002133U0100	
	Sealing ring G DN25 58-01-199/93 EPDM		3KQP002130U0100	
	Blind flange with hole		210230CH	
	Blind threaded connection DIN 11851		3KXF003016U0100	
	Weld-on adapter 1.4571		210136	
	Weld-on adapter with ball valve 1.4571	DN 50 to 1200	210716	
	Weld-on adapter 1.0037		211623	
	Weld-on adapter DIN 11851 with union nut		214186	
	Weld-on adapter for compression fitting		3KXF002759U0100	
—	Stainless steel compression fitting		3KQP002144U0100	



ABB Measurement & Analytics

For your local ABB contact, visit:
www.abb.com/contacts

For more product information, visit:
www.abb.com/flow

We reserve the right to make technical changes or modify the contents of this document without prior notice. With regard to purchase orders, the agreed particulars shall prevail. ABB does not accept any responsibility whatsoever for potential errors or possible lack of information in this document.

We reserve all rights in this document and in the subject matter and illustrations contained therein. Any reproduction, disclosure to third parties or utilization of its contents – in whole or in parts – is forbidden without prior written consent of ABB.