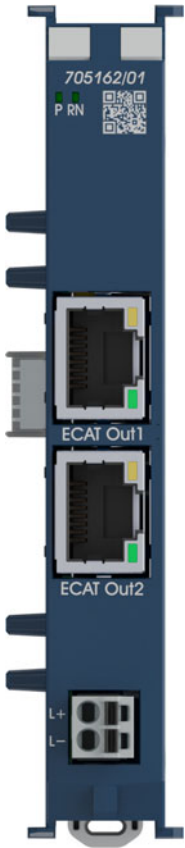


JUMO I/O system

2-channel communication module



Operating Manual

70516200T90Z001K000

V1.00/EN/2025-04-16



Further information and downloads



qr-705162-en.jumo.info

Table of contents

1	About this documentation	5
1.1	Validity	5
1.2	Applicable documentation	5
1.3	Purpose	5
1.4	Target group	5
1.5	Trademark information	5
1.6	Symbols	5
2	Safety	7
2.1	Intended use	7
2.2	Qualification of personnel	7
2.3	Transport and storage damage	7
2.4	Cleaning	7
3	Description	8
3.1	Design and function	8
3.2	Display, operating, and connection elements	9
3.3	Nameplate	11
3.4	Approval marks and certificates	11
3.5	Scope of delivery	12
4	Technical data	13
4.1	Interfaces	13
4.2	Electrical data	13
4.3	Electrical isolation	14
4.4	Environmental influences	14
4.5	Mechanical features	14
4.6	Dimensions	15
5	Mounting	16
5.1	Prepare mounting	16
5.2	Mounting the module	18
6	Electrical connection	19
6.1	Preparing the electrical connection	19
6.2	Connection elements	20
6.3	Connection diagram	21
6.3.1	Interfaces	21
6.3.2	External voltage supply	21
7	Startup	22

Table of contents

8	Configuration	23
8.1	Device configuration	23
9	Shutdown	24
9.1	Dismounting	24
9.2	Returns	25
9.3	Disposal	25
10	Accessories	26

1 About this documentation

1.1 Validity

This documentation applies to this module (7051xx) of the JUMO I/O system for all software and hardware versions of the module. If a module function depends on a particular software or hardware version, the documentation shall point this out.

Use of the module together with a central processing unit of the JUMO variTRON automation system is supported by the central processing unit from system version 9.

In this documentation, the terms "device" and "module" are synonymous.

1.2 Applicable documentation

This module of the JUMO I/O system is used within an automation system together with other modules and a central processing unit. The operating manual for the respective central processing unit is considered an applicable publication which is required to use this module:

- JUMO variTRON 300 operating manual (document 70500300T90...)
- JUMO variTRON 500 operating manual (document 70500200T90...)
- JUMO variTRON 500 touch operating manual (document 70500400T90...)

1.3 Purpose

This documentation is part of the device and includes all information to ensure that it is used safely and as intended across all phases of the product lifecycle.

If you do not follow the documentation and safety information, this may result in risk to life and damage to property due to improper use.

- Read and follow the documentation and the safety information and warnings.
- Store the document in its entirety, in an easily accessible location, and so that it can be read in full at all times.
- Contact the manufacturer if you have any questions about the device and documentation.

1.4 Target group

This documentation is intended for trained electrical, mechanical, and plant engineering personnel.

⇒ chapter 2.2 "Qualification of personnel", Page 7

1.5 Trademark information

All trademarks and trade and company names used are the property of their rightful owners or authors.

1.6 Symbols



WARNING!

The signal word "WARNING" indicates an imminent danger.

Non-observance can lead to death or serious injury.

- ▶ The instructions in the warning notice must be observed and followed!
-



DANGER!

The signal word "DANGER" indicates an immediate danger.

Non-observance will lead to death or serious injury.

- ▶ The instructions in the warning notice must be observed and followed!
-

1 About this documentation



CAUTION!

The signal word "CAUTION" indicates an imminent danger.

Non-observance can lead to minor or moderate injury.

- ▶ The instructions in the warning notice must be observed and followed!
-

NOTICE!

The signal word "NOTICE" indicates possible damage to property.

Non-observance can lead to damage to devices, systems or the environment.

- ▶ Observe the instructions in the note for avoiding damage!
-



NOTE!

This symbol refers to important information about the device or its handling.



NOTE!

This symbol is used in tables and indicates that further information is provided after the table.



REFERENCE!

This symbol refers to **further information** in other sections, chapters, or other manuals.

2.1 Intended use

The 2-channel communication module (705162) is a module of the JUMO I/O system (7051xx) and provides 2 outputs (RJ45) for the system bus of the JUMO variTRON (7050xx) automation system on the front side. The communication module also has a supply terminal for the voltage supply of the input and output modules connected on the right-hand side. It can therefore also be used to increase the number of input and output modules (on the same DIN rail), without exceeding the maximum ampacity of the side plug connectors. The communication module is suitable for indoor use and is installed on a DIN rail inside a control cabinet.

The documentation is part of the device. The device is only intended for use according to this documentation.

2.2 Qualification of personnel

The personnel deployed must meet the following requirements in all phases of the product lifecycle:

- Trained electrical, mechanical, and plant engineering personnel.
- Members of personnel are familiar with this documentation and the safety information and warnings it contains.

2.3 Transport and storage damage

The device can be damaged if it is insufficiently protected during transport and/or improperly stored.

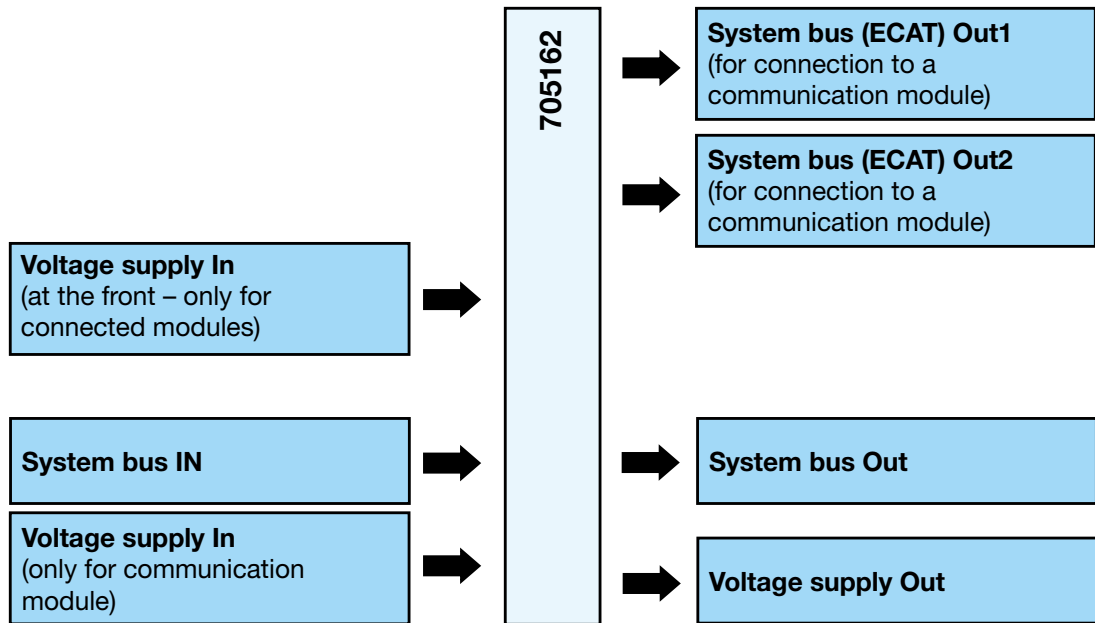
- Transport the device protected from moisture and dirt in shockproof packaging.
- Protect all electrical and mechanical connections from damage.
- Observe the admissible storage temperature of the device.
- Store the device in a dry and dust-free environment.

2.4 Cleaning

Only use a dry cloth for cleaning the device (protection type IP20).

3 Description

3.1 Design and function



The 2-channel communication module (705162) is a module of the JUMO I/O system (7051xx) and provides 2 outputs (RJ45) for the system bus of the JUMO variTRON (7050xx) automation system on the front side. The communication module also has a supply terminal for the voltage supply of the input and output modules connected on the right-hand side. It can therefore also be used to increase the number of input and output modules (on the same DIN rail), without exceeding the maximum ampacity of the side plug connectors. The communication module is suitable for indoor use and is installed on a DIN rail inside a control cabinet.

The 2-channel communication module is intended for operation on a central processing unit of the JUMO variTRON automation system. A system module (705171) is required for direct connection to JUMO variTRON 500; a 3-channel communication module (705163) is required for connection to JUMO variTRON 300 and 500 touch.

The 2-channel communication module can be operated on a third-party PLC if it supports the JUMO system bus. An upstream 3-channel communication module (705163) is also required for this.

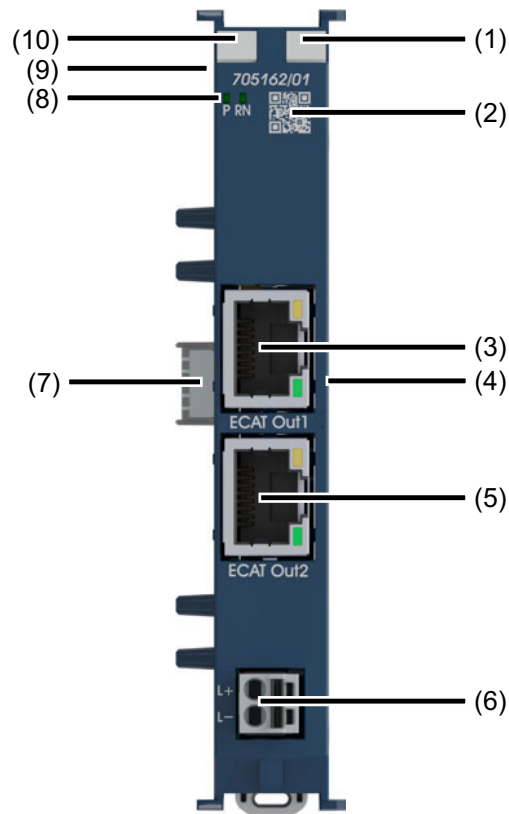
The 2-channel communication module is connected to the adjacent modules via the plug connectors on the left and right-hand side. The communication module is connected with the system bus and voltage supply via the left-hand plug connector. The voltage fed in via this means is only intended to supply the communication module. The right-hand plug connector connects the connected modules with the system bus and provides the voltage for these modules fed in via the separate terminal. The system bus outputs on the front side can be used to connect additional communication modules with patch cables.

The status of the communication module (voltage supply, EtherCAT Slave) is indicated by LEDs.

The communication module does not have to be configured. Only the module name can be individually assigned. The JUMO smartWARE Setup variTRON PC program and JUMO variTRON Web Cockpit web application are available for this.

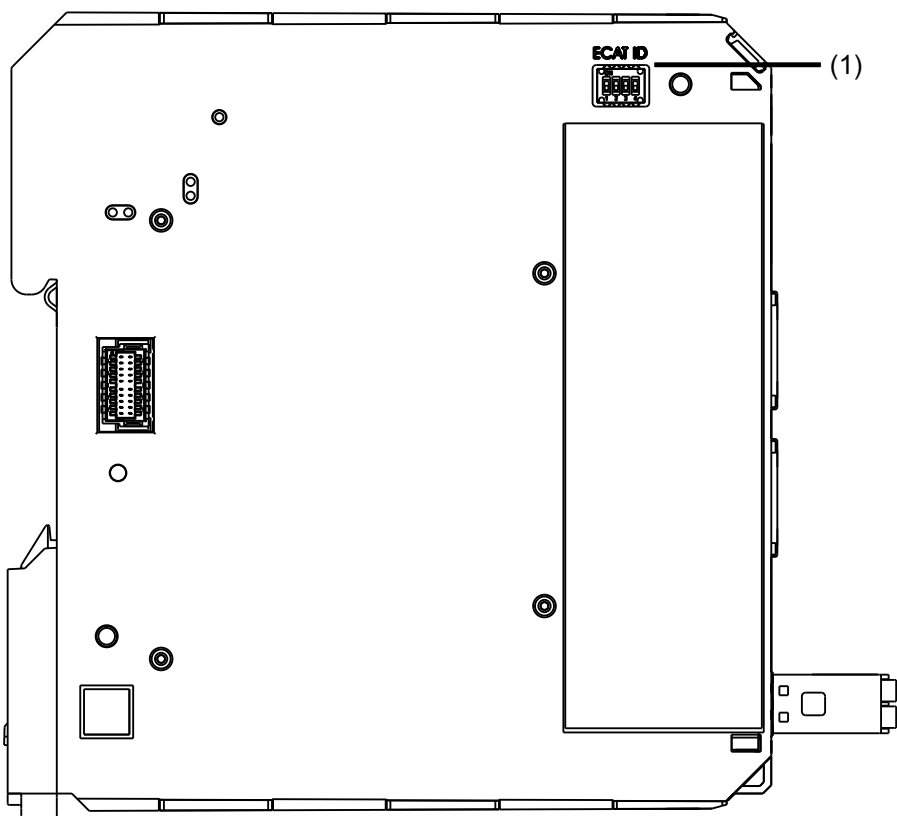
An alias device address (ECAT ID) can be set via the DIP switch in order to use the communication module as a so-called optional module. The alias device address is freely selectable, but must be unique within the system.

3.2 Display, operating, and connection elements



- 1 Space for inscription label (not included in scope of delivery)
- 2 QR code (web link to JUMO product page)
- 3 EtherCAT (ECAT) Out1 system bus
- 4 Plug connector (socket, side) for Out voltage supply and EtherCAT Out system bus
- 5 EtherCAT (ECAT) Out2 system bus
- 6 Connection terminals for external voltage supply
- 7 Plug connector (side) for In voltage supply In and EtherCAT In system bus
- 8 Status display of the module (P = Power, RN = Run)
- 9 DIP switch (4-fold, side) for setting the alias device address
- 10 Space for inscription label (not included in scope of delivery)

3 Description



- 1 DIP switch (4-fold) for setting the alias device address (ECAT ID)

3.3 Nameplate

The specifications on the nameplate are for device identification purposes.

Position

The nameplate is located on the left side of the housing (label or laser marking).

Contents

The nameplate contains important information. This includes:

Description	Designation on the nameplate	Example
Device type	Type	705162/01-0-36/000
Part no. (material number)	TN	30012345
Fabrication number	F-No.	0070033801224390006
Voltage supply	-	DC 24 V, +25/-20 %

Device type (type)

Compare the specifications on the nameplate with the order.

Identify the supplied device version using the order details (order code).

Part no. (material number) (TN)

The part no. (material number) uniquely identifies an article. It is important for communication between the customer and the sales department.

Fabrication number (F-No.)



The fabrication number indicates, among other things, the date of manufacture (year/week).

Example: F-No. =007003380122**439**0006

The characters in question are digits 12, 13, 14, and 15 (from the left).

The device was therefore produced in the 39th week of 2024.

3.4 Approval marks and certificates

	Designation Test facility Certificate no. Inspection basis Valid for	DNV® DNV® Submitted Class Guidelines CG 0339 Module with extra code 062
	Designation Test facility Certificate no. Inspection basis Valid for	UL Underwriters Laboratories Submitted CAN/CSA-C22.2 No. 61010-1-12 (3rd Ed.) / UL 61010-1 (3rd Ed.) All versions of the module

3 Description

3.5 Scope of delivery

1 module in the ordered version

1 documentation

4.1 Interfaces

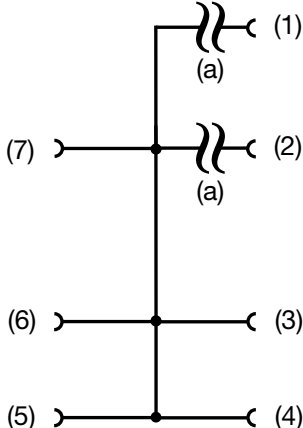
System bus (output, front side)	
Designation	ECAT Out1, ECAT Out2
Type	RJ45
Number	2
Connecting cable	Network cable (patch or crossover cable), at least CAT5 (S/FTP)
Application	Connection to the ECAT In interface of a different communication module

4.2 Electrical data

Voltage supply	For module electronics
Connection	Side (supply via central processing unit with system module or via communication module)
Voltage	DC 24 V +25/-20 % SELV
Residual ripple	5 %
Current consumption (module electronics only)	0.07 A (at 19.2 V)
Power consumption (module electronics only)	1.5 W
External voltage supply	For input and output modules
Connection	At the front (terminal strip, 2-pole with PUSH IN technology)
Voltage	DC 24 V +25/-20 % SELV
Admissible current	Max. 8 A (total of the current consumption of the connected input and output modules)
Conductor cross section	
Wire or stranded wire	Min. 0.25 mm ² , max. 1.5 mm ²
Stranded wire with ferrule	
Without plastic collar	Min. 0.25 mm ² , max. 1.5 mm ²
With plastic collar	Min. 0.25 mm ² , max. 0.75 mm ²
Stripping length	8 to 10 mm
Electrical safety	According to DIN EN 61010-1:2020 Overvoltage category III, pollution degree 2

4 Technical data

4.3 Electrical isolation

	a	Functional galvanic isolation for the connection of SELV or PELV electrical circuits
	1	EtherCAT (ECAT) Out1 system bus
	2	EtherCAT (ECAT) Out2 system bus
	3	EtherCAT (side) Out system bus
	4	Voltage supply (side) Out
	5	Voltage supply (side) In – only for module electronics
	6	EtherCAT (side) In system bus
	7	External voltage supply – only for input and output modules

4.4 Environmental influences

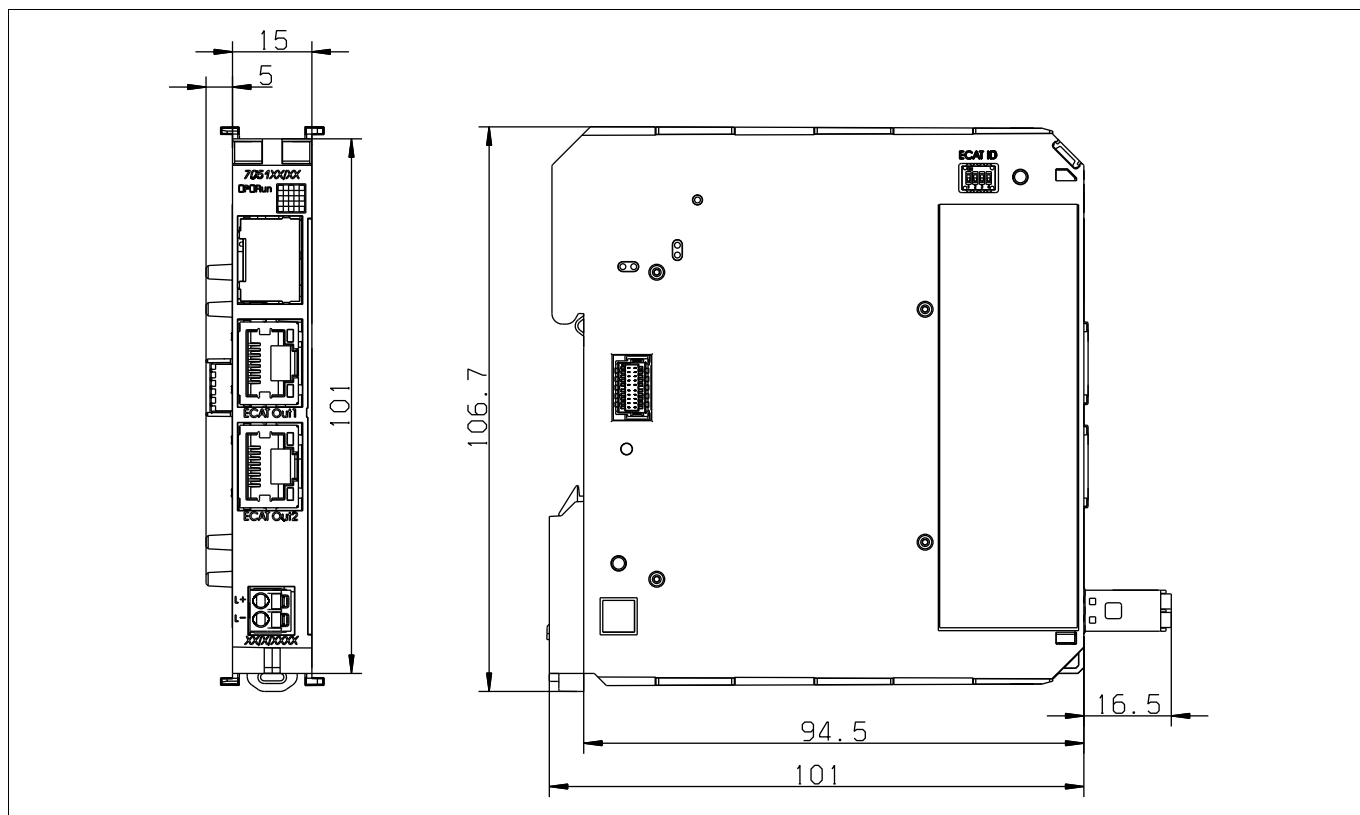
Storage conditions	1K21 according to DIN EN 60721-3-1:2018-12
Temperature range (expanded)	-40 to +70 °C
Operating conditions	3K22 according to DIN EN 60721-3-3:2018-12
Temperature range (expanded)	-20 to +55 °C
Relative humidity (expanded)	≤ 90 % without condensation
Vibration resistance	According to DIN EN 60068-2-6:2008-10
Amplitude	0.15 mm from 10 to 58.1 Hz
Acceleration	20 m/s ² from 58.1 to 150 Hz
Shock resistance	According to DIN EN 60068-2-27:2010-02
Peak acceleration	150 m/s ²
Shock duration	11 ms
Shock resistance	IK06 according to DIN EN 62262:2022-02
Site altitude	Max. 2000 m above sea level
Protection type	IP20 according to DIN EN 60529:2014-09
Electromagnetic compatibility	According to DIN EN 61326-1:2022-11
Interference emission	Class A – only for industrial use –
Interference immunity	Industrial requirement

4.5 Mechanical features

Housing type	Plastic housing for DIN-rail mounting in the control cabinet (indoor use); DIN rail according to DIN EN 60715, 35 mm × 7.5 mm × 1 mm
Weight	Approx. 90 g

4.6 Dimensions

Module with pluggable terminals (circuit board plug connectors)



5 Mounting

5.1 Prepare mounting

Warnings



DANGER!

The load circuits of modules that have relay or solid state relay outputs can be operated with a dangerous electrical voltage (e.g. 230 V).

There is a risk of electric shock.

- ▶ Before mounting these modules, the load circuits may have to be disconnected from the voltage supply. This work must only be performed by qualified personnel.
-



WARNING!

The modules must never be installed in potentially explosive areas.

Explosion hazard.

- ▶ The entire system must only be used outside of potentially explosive areas.
-

Mounting site

All modules have protection type IP20 and are only intended for use in fireproof control cabinets or switch boxes. The mounting site should be virtually vibration-free. Electromagnetic fields caused by equipment such as motors or transformers should be avoided.

Climatic conditions

The ambient temperature and the relative humidity at the mounting site must correspond to the technical data. Aggressive gases and steams have a negative effect on the operating life of the modules. The mounting site must be free from dust, powder, and other suspended solids so that the cooling slots do not become blocked.

DIN rail

All modules are mounted on a DIN rail according to DIN EN 60715 (35 mm × 7.5 mm × 1 mm). For reasons of stability, the spacing of the fastening screws for the DIN rail should not exceed 200 mm. The module-specific minimum distances for the modules must be observed.

To determine the required minimum width of the DIN rail, the widths of the individual modules must be added. In addition, the widths of the end brackets (each 9.5 mm) may have to be taken into consideration.

Installation position

The DIN rail should be mounted horizontally so that all modules are arranged vertically. Otherwise the admissible ambient temperature range will be restricted.

Space requirement

The modules require the minimum distances shown in the following figure for the purpose of installation/dismounting and for future maintenance or replacement. In the event of shorter distances the minimum bending radius of the cables, the performance of the electrical installation, and the clear arrangement of the plant are no longer guaranteed.

Module arrangement

One of the following modules must be mounted on the left next to the first input and output module (7051xx) or the first 2-channel communication module (705162) of the JUMO I/O system:

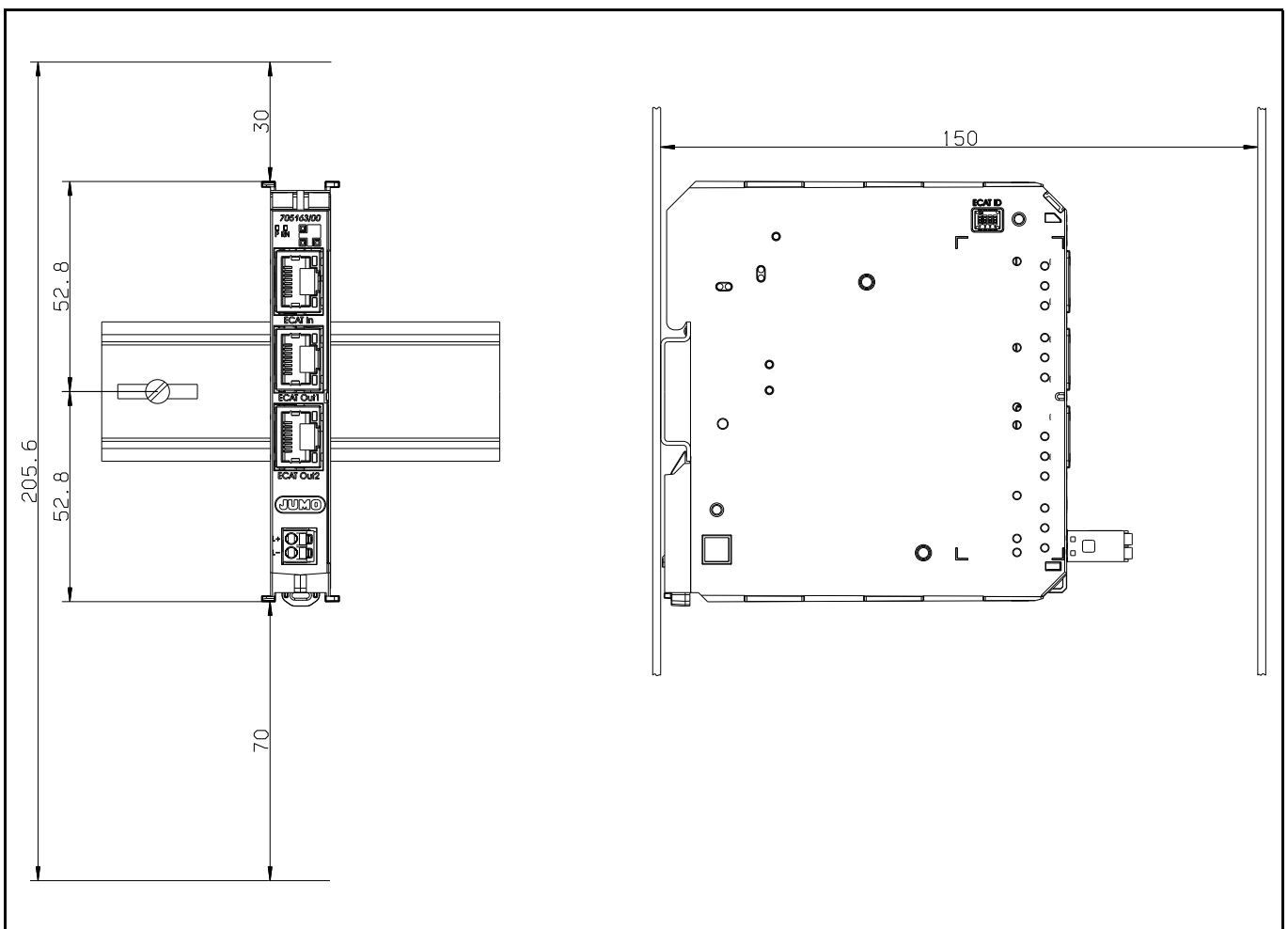
- a JUMO variTRON 500 central processing unit (705002) and a system module (705171) or
- a 3-channel communication module (705163) or
- a 3-port router module (705042) and a system module (705171) or
- a 1-port router module (705043) and a system module (705171)

These modules connect the modules of the JUMO I/O system (7051xx) to the voltage supply and the system bus.

Modules from the 7050xx series can be arranged between the central processing unit and the system module as well as between a 3-port/1-port router module and the system module.

In general, any order of input and output modules is possible.

Minimum distances

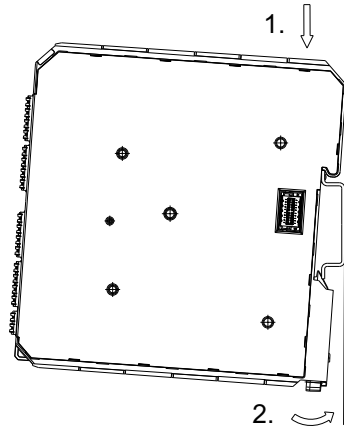


5 Mounting

5.2 Mounting the module

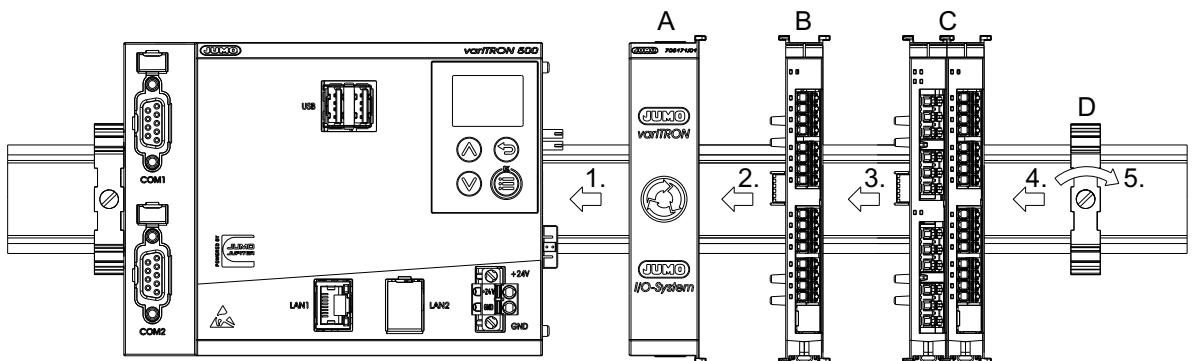
The example shows the mounting of modules on a previously mounted central processing unit (705002).

Placing module on DIN rail



1. Hook the module into the DIN rail from above.
2. Pivot the module downward until it snaps into place.
3. Place all required modules in the same manner on the DIN rail. Observe the order here: In this example a system module (705171) is required first.

Connecting modules



1. Move the system module (A) to the left against the central processing unit until the plug connections for the voltage supply and the system bus are connected.
2. Move module (B) to the left against the system module until the plug connections are connected.
3. Move additional modules (C) to the left against the previous module in the same manner.
4. After the final module, position the end bracket (D) on the DIN rail and move to the left against the module.
5. Fasten the end bracket (D) using a screwdriver. For this purpose, ensure that the end bracket is positioned firmly against the last module.

NOTE!

If necessary, use the optional connector bars (accessories) in order to increase the vibration and shock resistance of the module arrangement.



6.1 Preparing the electrical connection

NOTICE!

Damage to the modules

Do not plug or unplug the modules while they are live, as this could result in damage to the modules.

- ▶ Disconnect voltage supply.



NOTE!

The following notes apply to the entire I/O system (7051xx) and in some cases only applies to one module or another.

The respective connection diagram shows the context.

Requirements for personnel

- Work on the modules must only be carried out to the extent described and, like the electrical connection, only by qualified personnel.
- Before plugging and unplugging connection lines, it must be ensured that the acting person is electrostatically discharged (e.g. by touching grounded metallic parts).

Line, shielding, grounding

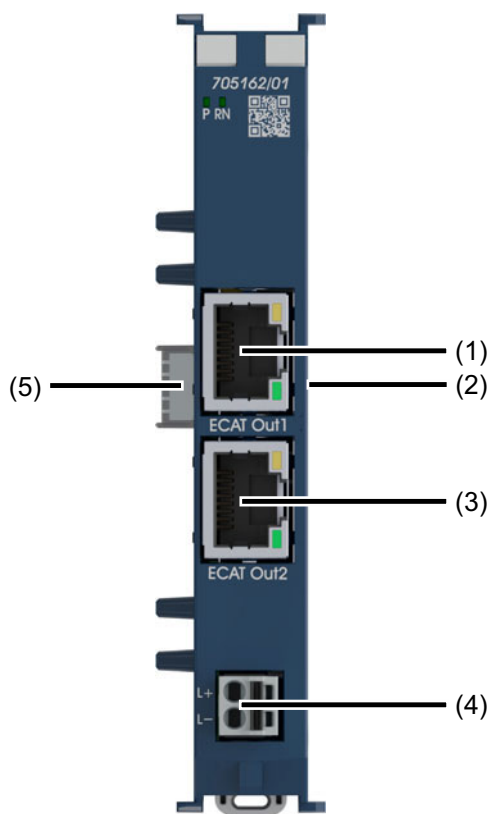
- When selecting the cable material, when installing, and when performing the electrical connection of the module, the regulations of DIN VDE 0100 "Erection of low voltage installations" or the respective national regulations (e.g. on the basis of IEC 60364) are to be observed.
- At maximum load, certain lines must be heat resistant up to at least 80 °C. The corresponding notes in the connection diagram of the affected modules must be observed.
- Route input, output, and supply lines separately and not parallel to one another.
- Only use shielded and twisted probe and interface cables. Do not route the lines close to current-carrying components or cables.
- For temperature probes, ground the shielding on one side in the control cabinet.
- Do not perform loopthroughs on the grounding cables, but route the cables individually to a shared grounding point in the control cabinet; in doing so, ensure that the cables are as short as possible. Ensure proper potential equalization.

Electrical safety

- Isolate power supply units from the voltage supply on the primary side if there is a risk of touching parts with dangerous electrical voltage (e.g. 230 V) during active use.
- The fuse protection of the power supply units on the primary side should not exceed a value of 10 A (inert).
- With modules that have relay or solid state relay outputs, the load circuits can be operated with a dangerous electrical voltage (e.g. 230 V). Disconnect load circuits from the voltage supply during electrical connection.
- In order to prevent the destruction of the relay or solid state relay outputs in the event of an external short circuit in the load circuit, the load circuit should be fuse-protected to the maximum admissible output current.
- The modules are not suitable for installation in potentially explosive areas.
- In addition to a faulty installation, incorrectly set values on the module could also impair the correct function of the following process. Therefore, ensure that safety devices independent of the module (e.g. overpressure valves or temperature limiters/monitors) are available and that it is only possible for qualified personnel to define settings. Please observe the corresponding safety regulations in this context.

6 Electrical connection

6.2 Connection elements



- 1 EtherCAT (ECAT) Out1 system bus
- 2 Plug connector (socket, side) for Out voltage supply and EtherCAT Out system bus
- 3 EtherCAT (ECAT) Out2 system bus
- 4 Connection terminals for external voltage supply
- 5 Plug connector (side) for In voltage supply In and EtherCAT In system bus

6.3 Connection diagram

NOTICE!

At maximum load, the temperature may exceed 60 °C at the terminals.

This may damage the insulation of the line.

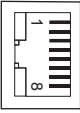
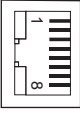
- ▶ The line must be heat resistant up to at least 80 °C.



NOTE!

Only copper lines must be connected to the terminals.

6.3.1 Interfaces

Connection	Designation	Connection element	Assignment
System bus Out1 (output)	ECAT Out1		1 TX+ Transmission data + 2 TX- Transmission data - 3 RX+ Received data + 6 RX- Received data -
System bus Out2 (output)	ECAT Out2		1 TX+ Transmission data + 2 TX- Transmission data - 3 RX+ Received data + 6 RX- Received data -

6.3.2 External voltage supply

The external voltage supply is strictly required to operate the connected input and output modules.

Voltage	Terminals	Symbol and terminal designation
DC 24 V SELV (front)	L+ (+24 V) and L- (GND)	+ ———— ○ L+ U _x - ———— ○ L-

7 Startup

The module is not started up separately, but rather together with the other I/O modules and the bus master, for example the JUMO variTRON 500 central processing unit (705002). The description of the start-up is therefore not the subject of this document.

The JUMO smartWARE Setup variTRON PC program and the JUMO Web Cockpit web application are required for startup. Further information can be found in the operating manual of the applicable central processing unit.

After the electrical connection of all modules and switch-on of the voltage supply, the LED displays of the module provide an initial message about the state of the module.

"P" LED (Power)

The LED is permanently lit in green if the module is being supplied with voltage.

LED "RN" (Run)

The LED (green) indicates the status of the module (EtherCAT Slave).

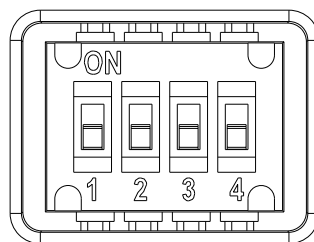
Description of the display modes and the displayed system states and errors: See operating manual for the applicable central processing unit.

LEDs at the RJ45 sockets

The LEDs indicate the status of the connection between the communication module and the remote side.

Green	Yellow	Meaning	Recommended action
Off	Off	No connection	Check cabling and topology
On	Off	Connection with 10 Mbit/s	
On	On	Connection with 100 Mbit/s	
Flickering	Off	Connection with 10 Mbit/s and data transmission	
Flickering	On	Connection with 100 Mbit/s and data transmission	

Alias device address (ECAT ID)



There is a DIP switch (4-fold) on the left-hand side of the communication module for setting the alias device address. The addresses 0 to 15 can therefore be set (1 = LSB, 4 = MSB).

The alias device address is required in order to use the communication module as a so-called optional module (addresses 1 to 15). In the case of a mandatory module, the address should be set to 0. The alias device address is freely selectable, but must be unique within the system.

For more information, refer to the operating manual of the central processing unit. The statements regarding the router modules (70504x) there also apply analogously to the communication modules (70516x). In contrast to the 2-port router module (705041) mentioned there whose alias device address is fixed (0x200), the address of the 2-channel communication module (705162) can be individually set (0 to 15). Multiple 2-channel communication modules can therefore be used as optional modules within a system.

The JUMO smartWARE Setup variTRON PC program is available to configure the module (referred to as setup program below). The module can also be configured using the JUMO variTRON Web Cockpit web application (referred to as Web Cockpit below).

The description of the setup program and the Web Cockpit is part of the operating manual for the respective JUMO variTRON central processing unit.

The description of the configuration of this module is part of this documentation.

The parameters described in the sections below can be found in the setup program or Web Cockpit under the following menu path: Configuration > System Bus > <Module designation>

Default settings are shown in bold in the parameter tables.



NOTE!

In order for the "System Bus" menu to appear in the module, it must have been added previously with the "HW-Assistant System Bus" function to configure the system hardware. This function is only available in the setup program.

8.1 Device configuration

The basic settings of the module are specified in this menu.

Parameter	Value	Description
Module name	<Module name> (editable)	Designation of the module The designation can be entered in several national languages. Per default, the designation is only available in the "Standard" national language (is used if the designation is missing in the set device language). The designation set per default contains the module type (example: 16x digital IN) and the unique module label (example: DIN16_3).

9 Shutdown

9.1 Dismounting



DANGER!

The load circuits of modules that have relay or solid state relay outputs can be operated with a dangerous electrical voltage (e.g. 230 V).

There is a risk of electric shock.

- ▶ Before dismounting these modules, the load circuits must be disconnected from the voltage supply. This work must only be performed by qualified personnel.

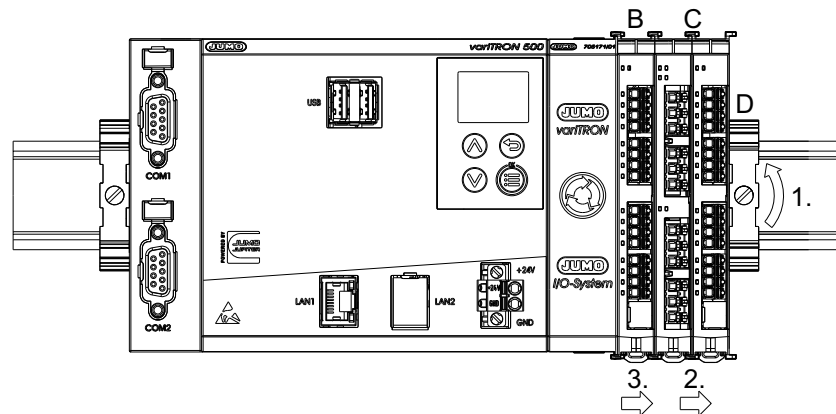


NOTE!

If the individual modules for increasing the vibration and shock resistance are connected to connector bars, these must be removed first (not shown here).

The following example shows the dismounting of an individual module from an arrangement of multiple modules.

Releasing modules



1. Fully release the end bracket (D) using a screwdriver, press upward from below, pivot toward the front, and remove from the DIN rail.

Note: The end bracket does not need to be removed from the DIN rail if there is sufficient space to the side to move it at least 20 mm to the right.

2. Move the modules (C) on the right next to the module (B) that is to be replaced a minimum of 20 mm to the right (B3).

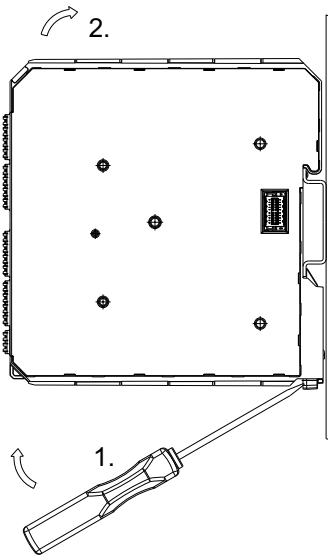
These modules are isolated from the voltage supply and the system bus.

3. Module (B) should be moved to the right until the side contacts of the module are exposed.
The module is isolated from the voltage supply and the system bus. This is a prerequisite for dismounting the module.

4. If necessary, remove wiring of the connections:

- a) Module with PCB terminal blocks: Loosen connection wires from terminals.
- b) Module with pluggable terminals: Remove wired connection terminals to the front.

Removing module from DIN rail



1. Insert a suitable screwdriver into the unlocking slot of the module and press upward.
2. Swing the module up and out of the DIN rail and remove.

9.2 Returns

Procedure:

1. The [supplementary sheet for product returns](#) must first be completed correctly and signed. Then enclose it with the shipping documents and attach it to the packaging, ideally on the outside.
2. Use the original packaging or a suitably secure container for sending the device.

9.3 Disposal



- Do not dispose of the device or replaced parts in the trash after use.
- Delete programs and data stored on the device.
- Remove batteries, if any, if this can be done without damaging the device.
- Dispose of the device and the packaging material in a responsible and environmentally friendly manner.
- Observe the country-specific laws and regulations for waste treatment and disposal.

In accordance with Directive 2012/19/EU on Waste from Electrical and Electronic Equipment, manufacturers are obliged to offer the option of returning waste equipment. Request the return from the manufacturer.

10 Accessories

Designation	Part no.
10 connector bars for increased vibration and shock resistance (2 bars are required for connecting 2 modules)	30065481
10 inscription labels for labeling the module	30065497



JUMO GmbH & Co. KG

Street address:
Moritz-Juchheim-Straße 1
36039 Fulda, Germany

Delivery address:
Mackenrodtstraße 14
36039 Fulda, Germany

Postal address:
36035 Fulda, Germany

Phone: +49 661 6003-0
Fax: +49 661 6003-607
Email: mail@jumo.net
Internet: www.jumo.net

JUMO UK LTD

JUMO House
Temple Bank, Riverway
Harlow, Essex, CM20 2DY, UK

Phone: +44 1279 63 55 33
Fax: +44 1279 62 50 29
Email: sales@jumo.co.uk
Internet: www.jumo.co.uk

JUMO Process Control, Inc.

6724 Joy Road
East Syracuse, NY 13057, USA

Phone: +1 315 437 5866
Fax: +1 315 437 5860
Email: info.us@jumo.net
Internet: www.jumousa.com

