

JUMO GmbH & Co. KG
 Delivery address: Mackenrodtstraße 14
 36039 Fulda, Germany
 Postal address: 36035 Fulda, Germany
 Phone: +49 661 6003-0
 Fax: +49 661 6003-607
 Email: mail@jumo.net
 Internet: www.jumo.net

JUMO Instrument Co. Ltd.
 JUMO House
 Temple Bank, Riverway
 Harlow, Essex, CM20 2DY, UK
 Phone: +44 1279 63 55 33
 Fax: +44 1279 62 50 29
 Email: sales@jumo.co.uk
 Internet: www.jumo.co.uk

JUMO Process Control, Inc.
 6724 Joy Road
 East Syracuse, NY 13057, USA
 Phone: +1 315 437 5866
 Fax: +1 315 437 5860
 Email: info.us@jumo.net
 Internet: www.jumousa.com



JUMO variTRON Web Panels

705070

Brief description

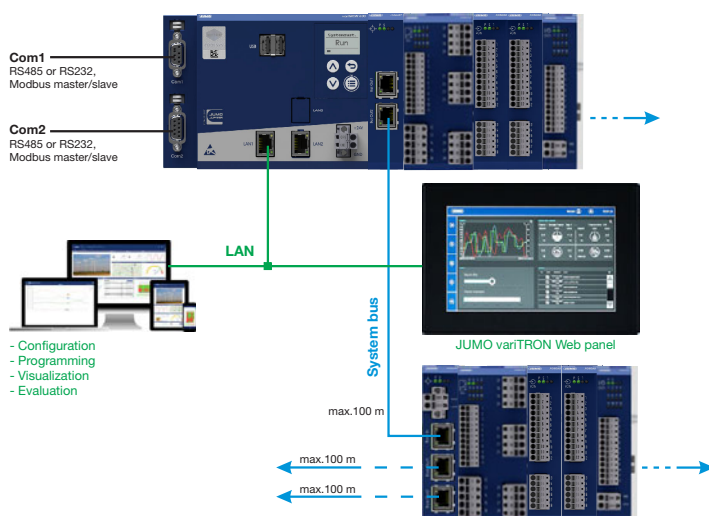
JUMO variTRON web panels can be easily connected to automation systems of the JUMO variTRON series via Ethernet connection. The web panels support CODESYS Remote TargetVisu or WebVisu. As a result, visualizations created with CODESYS can be displayed on the web panels and used to operate the system. The prerequisite for this is the corresponding extra code of the JUMO variTRON central processing unit: For visualization by means of a browser, extra code 281 (Web-Visu) is required; for visualization via Remote TargetVisu, extra code 280 must be selected.

In principle, web panels other than those offered by JUMO can also be used together with an automation system of the JUMO variTRON series, provided that they support the required CODESYS visualization.



Type 705070/...

System structure



Features

- TFT colour screen, resistive or capacitive
- Multi-touch operation (capacitive), also with gloves
- Screen sizes (diagonal) from 10.9 cm (4.3") to 54.6 cm (21.5")
- Screen resolutions from 480 × 272 to 1920 × 1080
- Panel mounting or variable fastening
- Connection to the central processing unit via Ethernet interface
- Voltage supply DC 24 V or PoE
- Versions for food industry
- UL and DNV GL approval (type dependent)

JUMO GmbH & Co. KG
 Delivery address: Mackenrodtstraße 14
 36039 Fulda, Germany
 Postal address: 36035 Fulda, Germany
 Phone: +49 661 6003-0
 Fax: +49 661 6003-607
 Email: mail@jumo.net
 Internet: www.jumo.net

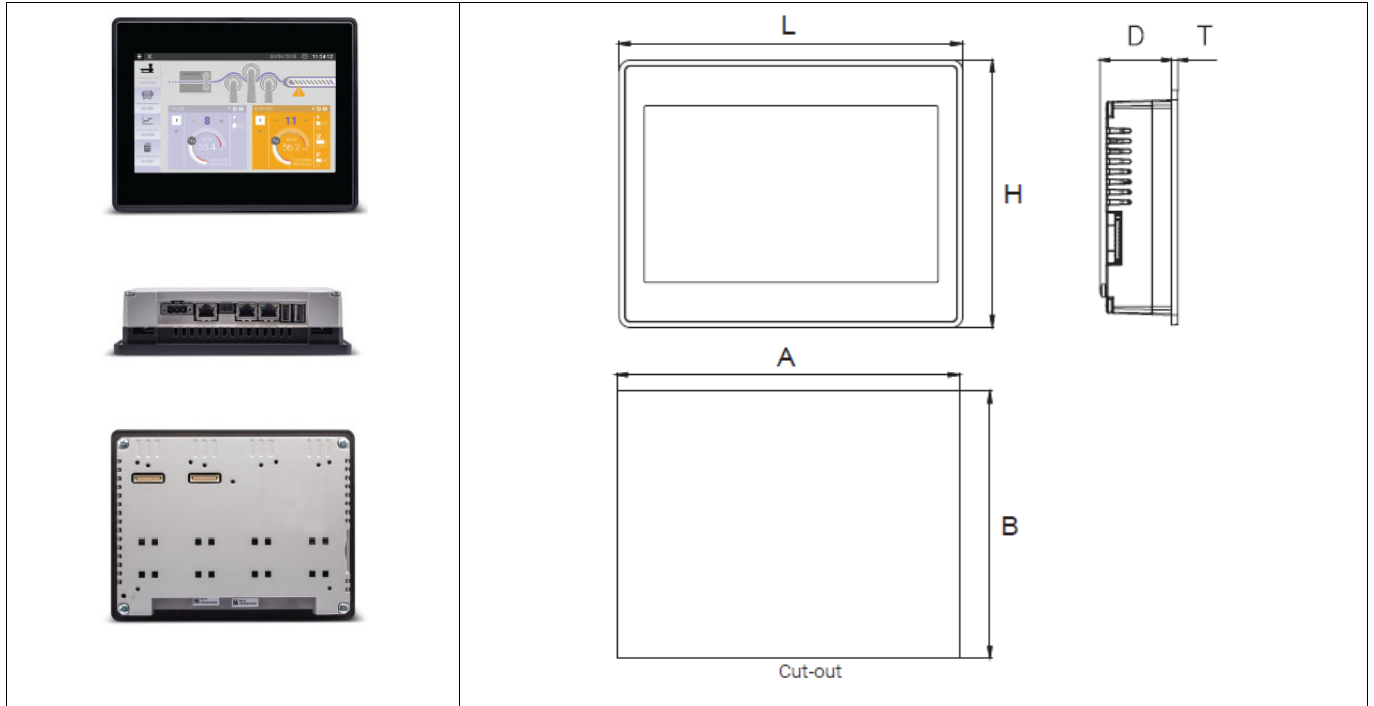
JUMO Instrument Co. Ltd.
 JUMO House
 Temple Bank, Riverway
 Harlow, Essex, CM20 2DY, UK
 Phone: +44 1279 63 55 33
 Fax: +44 1279 62 50 29
 Email: sales@jumo.co.uk
 Internet: www.jumo.co.uk

JUMO Process Control, Inc.
 6724 Joy Road
 East Syracuse, NY 13057, USA
 Phone: +1 315 437 5866
 Fax: +1 315 437 5860
 Email: info.us@jumo.net
 Internet: www.jumousa.com



EXOR Standard eX

eX707 – Type 705070/1-x-10-...



Screen type	TFT color screen
Touch technology	Capacitive, multi-touch operation
Screen size (diagonal)	Approx. 17.8 cm (7")
Resolution	800 × 480
Number of colors	16M
Brightness (luminance) typ.	500 cd/m ²
Backlight	LED (dimnable)
Interfaces	3 × Ethernet, 2 × USB host, 1 × serial
Voltage supply	DC 24 V (10 to 32 V)
Current consumption	0.7 A at DC 24 V
Installation type	Installation in panel cut-out
Dimensions L × H × (D + T)	187 mm × 147 mm × (47 + 8) mm
Front panel depth T	8 mm
Mounting depth D	47 mm
Panel cut-out A × B	176 mm × 136 mm
Weight	1.5 kg
Protection type	IP66 (front side), IP20 (rear side)
Operating temperature range	-20 to +60 °C (vertical mounting)
Storage temperature range	-20 to +70 °C
Resistance to climatic conditions	Relative humidity 5 to 85 %, non-condensing
Approvals	cULus, DNV GL
Model (www.exorint.com)	eX707

The complete technical data as well as further technical information can be found in the manufacturer's original documents (www.exorint.com).

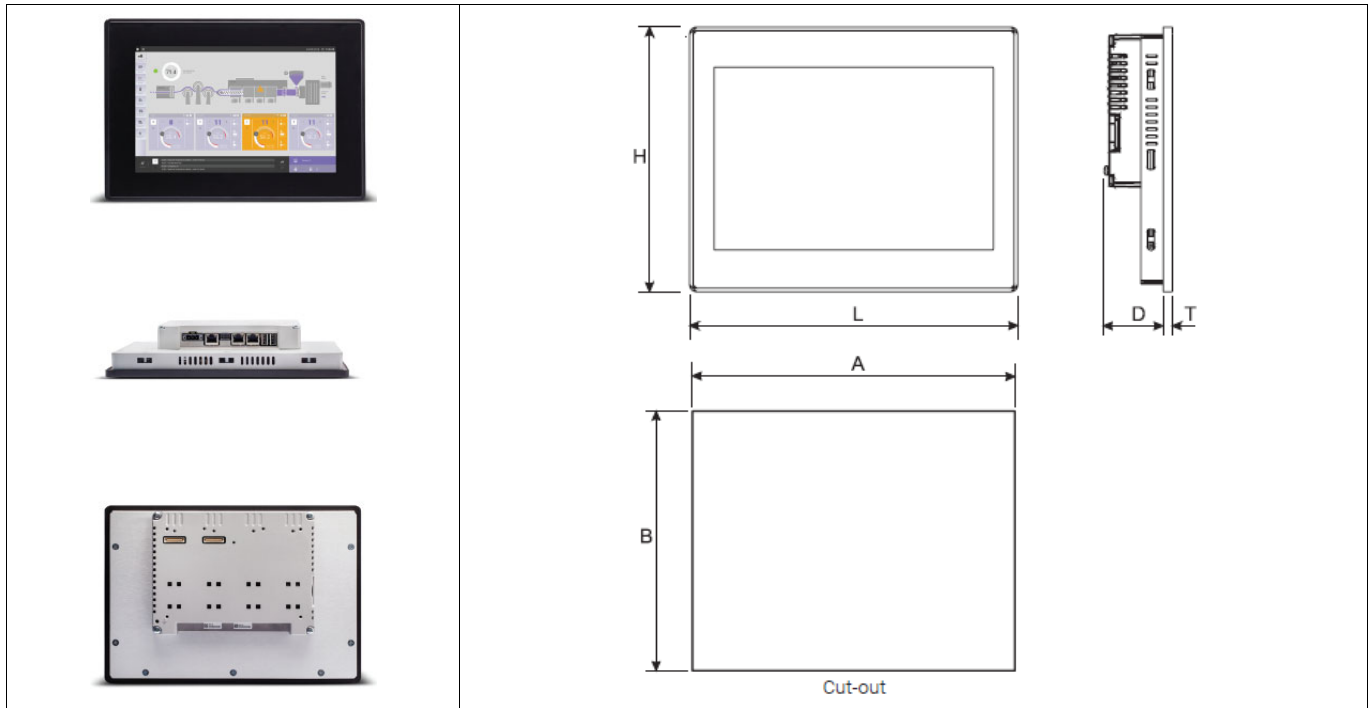
JUMO GmbH & Co. KG
 Delivery address: Mackenrodtstraße 14
 36039 Fulda, Germany
 Postal address: 36035 Fulda, Germany
 Phone: +49 661 6003-0
 Fax: +49 661 6003-607
 Email: mail@jumo.net
 Internet: www.jumo.net

JUMO Instrument Co. Ltd.
 JUMO House
 Temple Bank, Riverway
 Harlow, Essex, CM20 2DY, UK
 Phone: +44 1279 63 55 33
 Fax: +44 1279 62 50 29
 Email: sales@jumo.co.uk
 Internet: www.jumo.co.uk

JUMO Process Control, Inc.
 6724 Joy Road
 East Syracuse, NY 13057, USA
 Phone: +1 315 437 5866
 Fax: +1 315 437 5860
 Email: info.us@jumo.net
 Internet: www.jumousa.com



eX710 – Type 705070/1-x-20-...



Screen type	TFT color screen
Touch technology	Capacitive, multi-touch operation
Screen size (diagonal)	Approx. 25.7 cm (10.1")
Resolution	1280 × 800
Number of colors	16M
Brightness (luminance) typ.	500 cd/m ²
Backlight	LED (dimnable)
Interfaces	3 × Ethernet, 2 × USB host, 1 × serial
Voltage supply	DC 24 V (10 to 32 V)
Current consumption	1.0 A at DC 24 V
Installation type	Installation in panel cut-out
Dimensions L × H × (D + T)	282 mm × 197 mm × (56 + 8) mm
Front panel depth T	8 mm
Mounting depth D	56 mm
Panel cut-out A × B	271 mm × 186 mm
Weight	2.5 kg
Protection type	IP66 (front side), IP20 (rear side)
Operating temperature range	-20 to +60 °C (vertical mounting)
Storage temperature range	-20 to +70 °C
Resistance to climatic conditions	Relative humidity 5 to 85 %, non-condensing
Approvals	cULus, DNV GL
Model (www.exorint.com)	eX710

The complete technical data as well as further technical information can be found in the manufacturer's original documents (www.exorint.com).

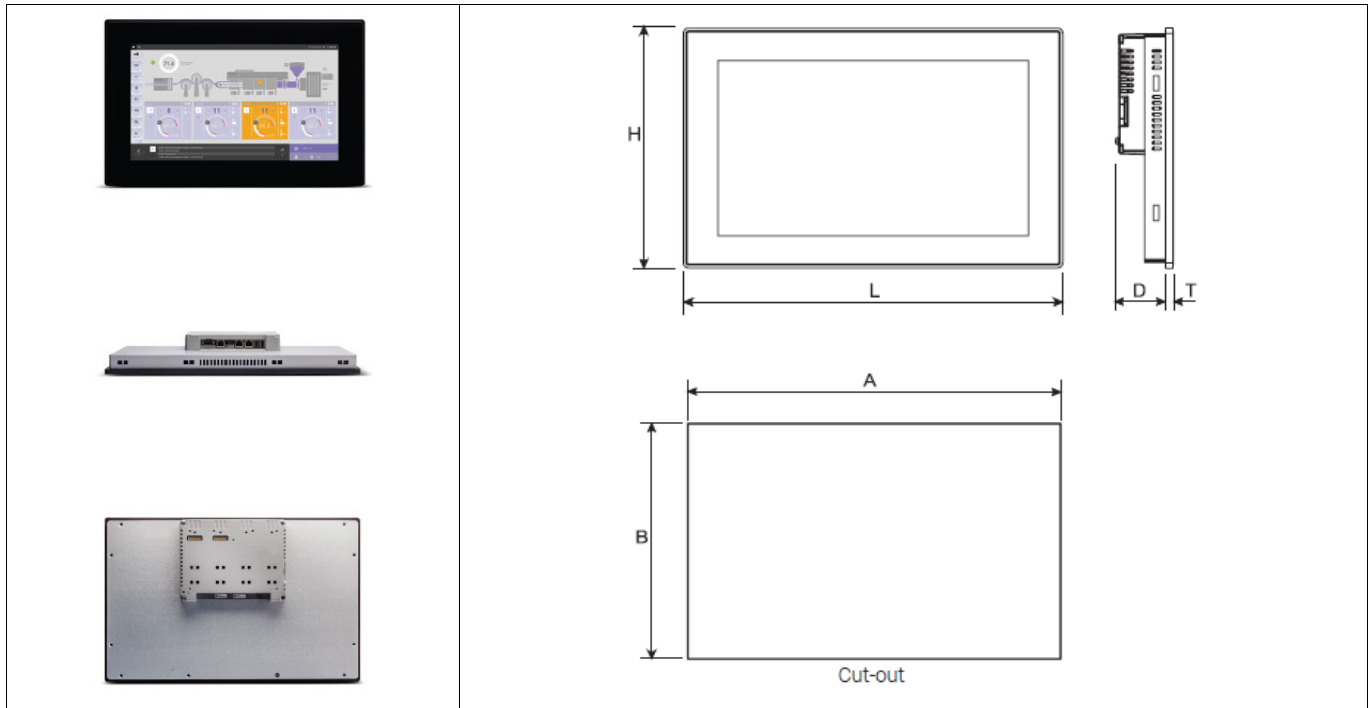
JUMO GmbH & Co. KG
 Delivery address: Mackenrodtstraße 14
 36039 Fulda, Germany
 Postal address: 36035 Fulda, Germany
 Phone: +49 661 6003-0
 Fax: +49 661 6003-607
 Email: mail@jumo.net
 Internet: www.jumo.net

JUMO Instrument Co. Ltd.
 JUMO House
 Temple Bank, Riverway
 Harlow, Essex, CM20 2DY, UK
 Phone: +44 1279 63 55 33
 Fax: +44 1279 62 50 29
 Email: sales@jumo.co.uk
 Internet: www.jumo.co.uk

JUMO Process Control, Inc.
 6724 Joy Road
 East Syracuse, NY 13057, USA
 Phone: +1 315 437 5866
 Fax: +1 315 437 5860
 Email: info.us@jumo.net
 Internet: www.jumousa.com



eX715 – Type 705070/1-x-30-...



Screen type	TFT color screen
Touch technology	Capacitive, multi-touch operation
Screen size (diagonal)	Approx. 39.6 cm (15.6")
Resolution	1366 × 768
Number of colors	16M
Brightness (luminance) typ.	400 cd/m ²
Backlight	LED (dimnable)
Interfaces	3 × Ethernet, 2 × USB host, 1 × serial
Voltage supply	DC 24 V (10 to 32 V)
Current consumption	1.2 A at DC 24 V
Installation type	Installation in panel cut-out
Dimensions L × H × (D + T)	422 mm × 267 mm × (56 + 8) mm
Front panel depth T	8 mm
Mounting depth D	56 mm
Panel cut-out A × B	411 mm × 256 mm
Weight	4.1 kg
Protection type	IP66 (front side), IP20 (rear side)
Operating temperature range	-20 to +60 °C (vertical mounting)
Storage temperature range	-20 to +70 °C
Resistance to climatic conditions	Relative humidity 5 to 85 %, non-condensing
Approvals	cULus, DNV GL
Model (www.exorint.com)	eX715

The complete technical data as well as further technical information can be found in the manufacturer's original documents (www.exorint.com).

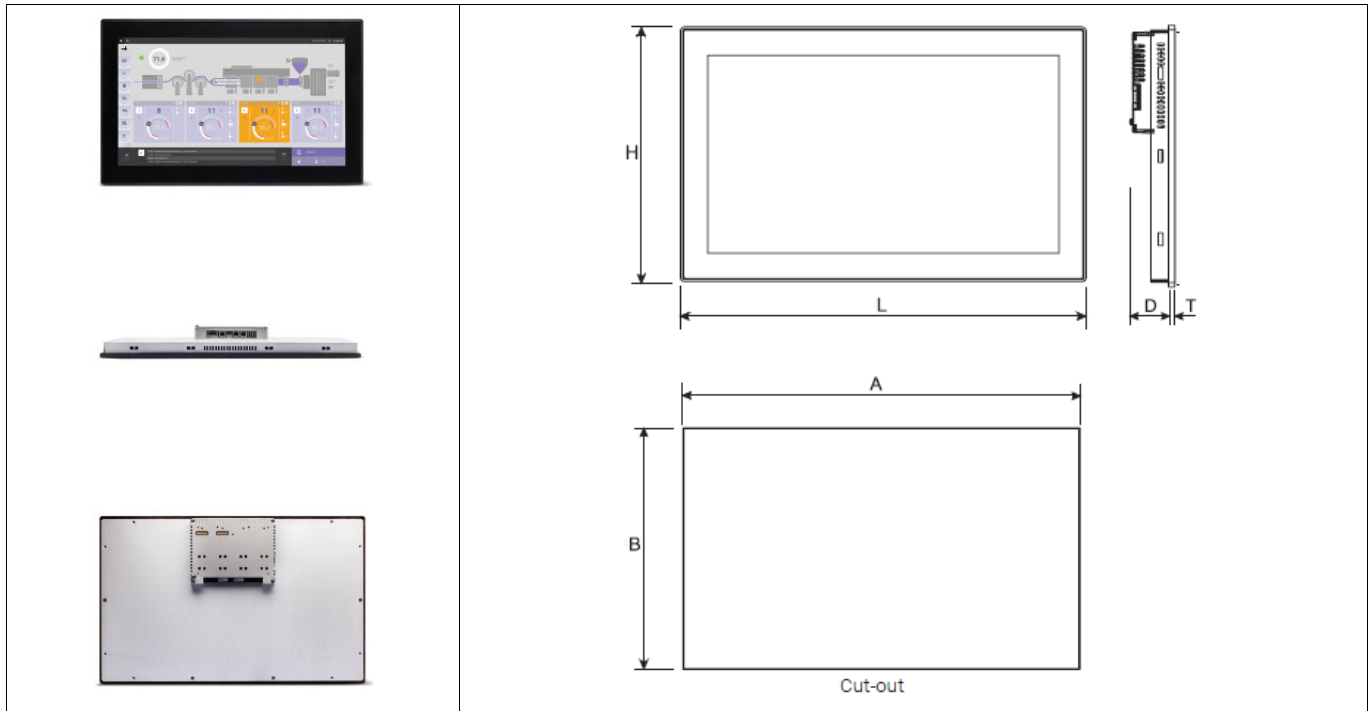
JUMO GmbH & Co. KG
 Delivery address: Mackenrodtstraße 14
 36039 Fulda, Germany
 Postal address: 36035 Fulda, Germany
 Phone: +49 661 6003-0
 Fax: +49 661 6003-607
 Email: mail@jumo.net
 Internet: www.jumo.net

JUMO Instrument Co. Ltd.
 JUMO House
 Temple Bank, Riverway
 Harlow, Essex, CM20 2DY, UK
 Phone: +44 1279 63 55 33
 Fax: +44 1279 62 50 29
 Email: sales@jumo.co.uk
 Internet: www.jumo.co.uk

JUMO Process Control, Inc.
 6724 Joy Road
 East Syracuse, NY 13057, USA
 Phone: +1 315 437 5866
 Fax: +1 315 437 5860
 Email: info.us@jumo.net
 Internet: www.jumousa.com



eX721 – Type 705070/1-x-40-...



Screen type	TFT color screen
Touch technology	Capacitive, multi-touch operation
Screen size (diagonal)	Approx. 54.6 cm (21.5")
Resolution	1920 × 1080
Number of colors	16M
Brightness (luminance) typ.	300 cd/m ²
Backlight	LED (dimnable)
Interfaces	3 × Ethernet, 2 × USB host, 1 × serial
Voltage supply	DC 24 V (10 to 32 V)
Current consumption	1.7 A at DC 24 V
Installation type	Installation in panel cut-out
Dimensions L × H × (D + T)	552 mm × 347 mm × (56 + 8.5) mm
Front panel depth T	8.5 mm
Mounting depth D	56 mm
Panel cut-out A × B	541 mm × 336 mm
Weight	6.1 kg
Protection type	IP66 (front side), IP20 (rear side)
Operating temperature range	-20 to +60 °C (vertical mounting)
Storage temperature range	-20 to +70 °C
Resistance to climatic conditions	Relative humidity 5 to 85 %, non-condensing
Approvals	cULus, DNV GL
Model (www.exorint.com)	eX721

The complete technical data as well as further technical information can be found in the manufacturer's original documents (www.exorint.com).

JUMO GmbH & Co. KG
 Delivery address: Mackenrodtstraße 14
 36039 Fulda, Germany
 Postal address: 36035 Fulda, Germany
 Phone: +49 661 6003-0
 Fax: +49 661 6003-607
 Email: mail@jumo.net
 Internet: www.jumo.net

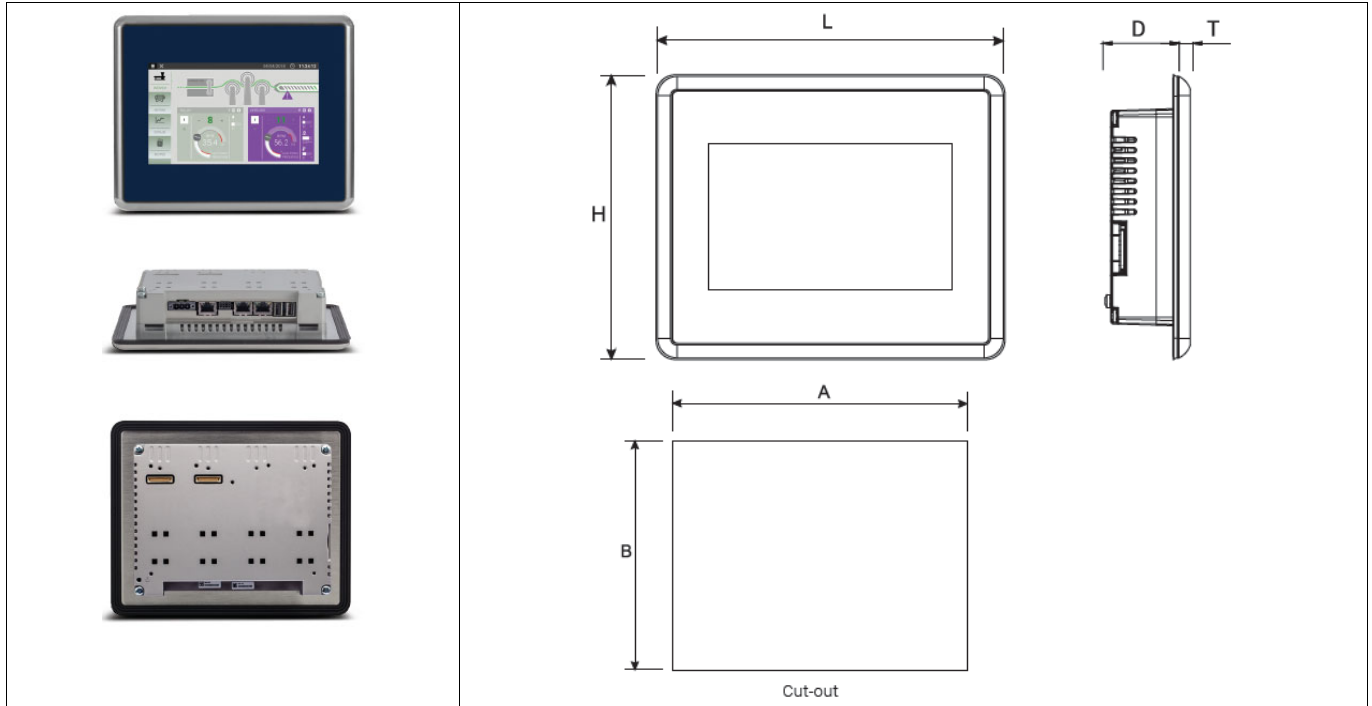
JUMO Instrument Co. Ltd.
 JUMO House
 Temple Bank, Riverway
 Harlow, Essex, CM20 2DY, UK
 Phone: +44 1279 63 55 33
 Fax: +44 1279 62 50 29
 Email: sales@jumo.co.uk
 Internet: www.jumo.co.uk

JUMO Process Control, Inc.
 6724 Joy Road
 East Syracuse, NY 13057, USA
 Phone: +1 315 437 5866
 Fax: +1 315 437 5860
 Email: info.us@jumo.net
 Internet: www.jumousa.com



EXOR Food & Beverage eXFB

eX707FB – Type 705070/2-x-11-...



Screen type	TFT color screen
Touch technology	Capacitive, multi-touch operation
Screen size (diagonal)	Approx. 17.8 cm (7")
Resolution	800 × 480
Number of colors	16M
Brightness (luminance) typ.	500 cd/m ²
Backlight	LED (dimnable)
Interfaces	3 × Ethernet, 2 × USB host, 1 × serial
Voltage supply	DC 24 V (10 to 32 V)
Current consumption	0.7 A at DC 24 V
Installation type	Installation in panel cut-out
Dimensions L × H × (D + T)	217 mm × 177 mm × (45 + 10) mm
Front panel depth T	10 mm
Mounting depth D	45 mm
Panel cut-out A × B	176 mm × 136 mm
Weight	2.5 kg
Protection type	At the front IP69, at the rear IP20
Operating temperature range	-20 to +60 °C (vertical mounting)
Storage temperature range	-20 to +70 °C
Resistance to climatic conditions	Relative humidity 5 to 85 %, non-condensing
Approvals	cULus
Model (www.exorint.com)	eX707FB

The complete technical data as well as further technical information can be found in the manufacturer's original documents (www.exorint.com).

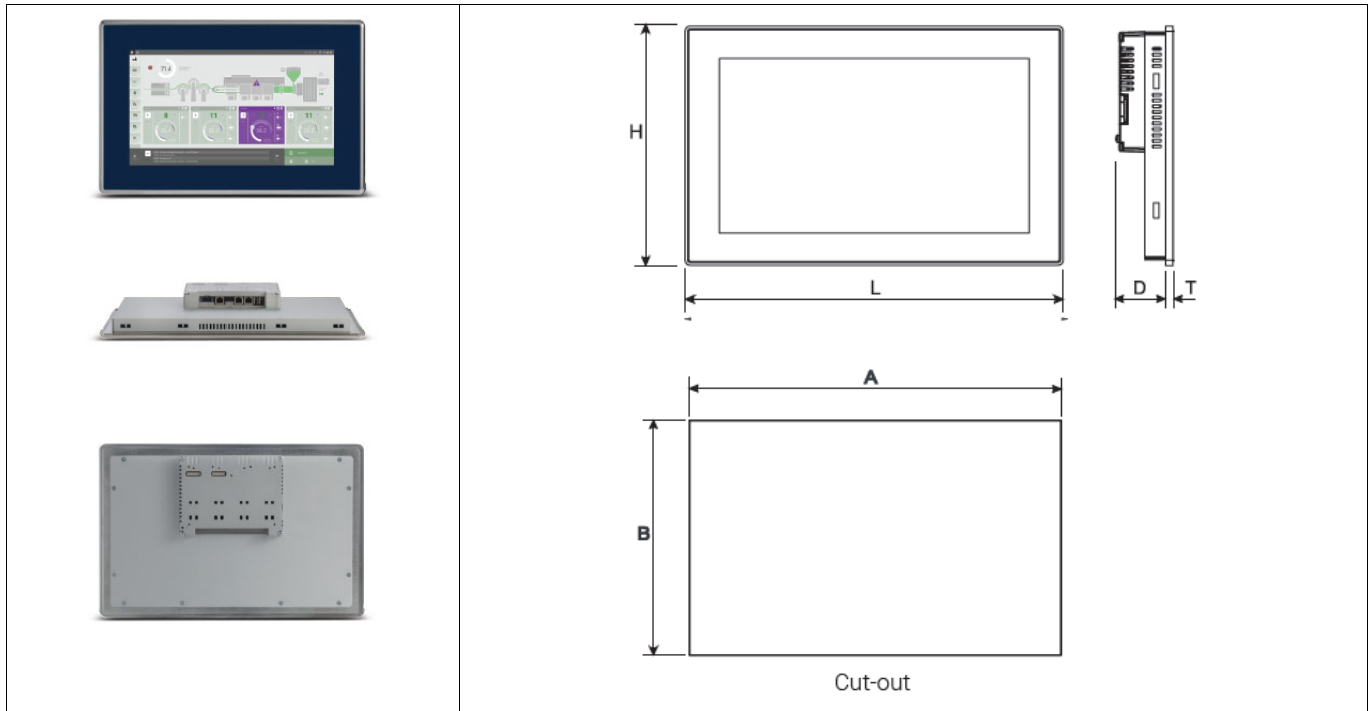
JUMO GmbH & Co. KG
 Delivery address: Mackenrodtstraße 14
 36039 Fulda, Germany
 Postal address: 36035 Fulda, Germany
 Phone: +49 661 6003-0
 Fax: +49 661 6003-607
 Email: mail@jumo.net
 Internet: www.jumo.net

JUMO Instrument Co. Ltd.
 JUMO House
 Temple Bank, Riverway
 Harlow, Essex, CM20 2DY, UK
 Phone: +44 1279 63 55 33
 Fax: +44 1279 62 50 29
 Email: sales@jumo.co.uk
 Internet: www.jumo.co.uk

JUMO Process Control, Inc.
 6724 Joy Road
 East Syracuse, NY 13057, USA
 Phone: +1 315 437 5866
 Fax: +1 315 437 5860
 Email: info.us@jumo.net
 Internet: www.jumousa.com



eX715FB – Type 705070/2-x-31-...



Screen type	TFT color screen
Touch technology	Capacitive, multi-touch operation
Screen size (diagonal)	Approx. 39.6 cm (15.6")
Resolution	1366 × 768
Number of colors	16M
Brightness (luminance) typ.	400 cd/m ²
Backlight	LED (dimnable)
Interfaces	3 × Ethernet, 2 × USB host, 1 × serial
Voltage supply	DC 24 V (10 to 32 V)
Current consumption	1.2 A at DC 24 V
Installation type	Installation in panel cut-out
Dimensions L × H × (D + T)	450 mm × 295 mm × (56 + 8) mm
Front panel depth T	8 mm
Mounting depth D	56 mm
Panel cut-out A × B	411 mm × 256 mm
Weight	5.2 kg
Protection type	At the front IP69, at the rear IP20
Operating temperature range	-20 to +60 °C (vertical mounting)
Storage temperature range	-30 to +80 °C
Resistance to climatic conditions	Relative humidity 5 to 85 %, non-condensing
Approvals	cULus
Model (www.exorint.com)	eX715FB

The complete technical data as well as further technical information can be found in the manufacturer's original documents (www.exorint.com).

JUMO GmbH & Co. KG
 Delivery address: Mackenrodtstraße 14
 36039 Fulda, Germany
 Postal address: 36035 Fulda, Germany
 Phone: +49 661 6003-0
 Fax: +49 661 6003-607
 Email: mail@jumo.net
 Internet: www.jumo.net

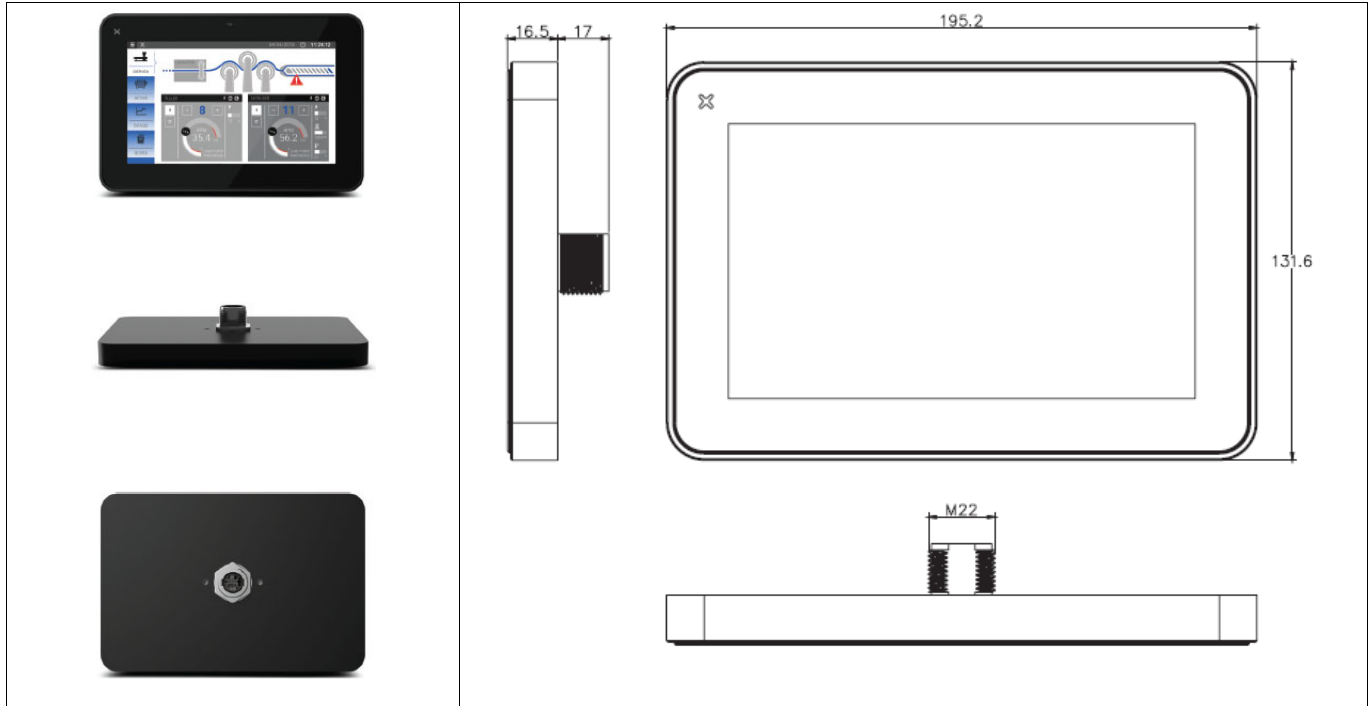
JUMO Instrument Co. Ltd.
 JUMO House
 Temple Bank, Riverway
 Harlow, Essex, CM20 2DY, UK
 Phone: +44 1279 63 55 33
 Fax: +44 1279 62 50 29
 Email: sales@jumo.co.uk
 Internet: www.jumo.co.uk

JUMO Process Control, Inc.
 6724 Joy Road
 East Syracuse, NY 13057, USA
 Phone: +1 315 437 5866
 Fax: +1 315 437 5860
 Email: info.us@jumo.net
 Internet: www.jumousa.com



EXOR JSmart eXJS

eX707JS – Type 705070/3-x-12-...



Screen type	TFT color screen
Touch technology	Capacitive, multi-touch operation (also with gloves)
Screen size (diagonal)	Approx. 17.8 cm (7")
Resolution	1024 × 600
Number of colors	16M
Brightness (luminance) typ.	400 cd/m ²
Backlight	LED (dimnable)
Interfaces	1 × Ethernet (PoE), 1 × USB host (adapter required)
Voltage supply	Power over Ethernet (IEEE 802.3af PoE)
Power consumption	9 W
Installation type	Threaded mounting M22
Dimensions without thread	195.2 mm × 131.6 mm × 16.5 mm
Thread length	17 mm
Weight	0.7 kg
Protection type	IP67 (suitable accessories and suitable cables required)
Operating temperature range	-20 to +55 °C (vertical mounting)
Storage temperature range	-30 to +80 °C
Resistance to climatic conditions	Relative humidity 5 to 85 %, non-condensing
Approvals	cULus
Model (www.exorint.com)	JSmart707

The complete technical data as well as further technical information can be found in the manufacturer's original documents (www.exorint.com).

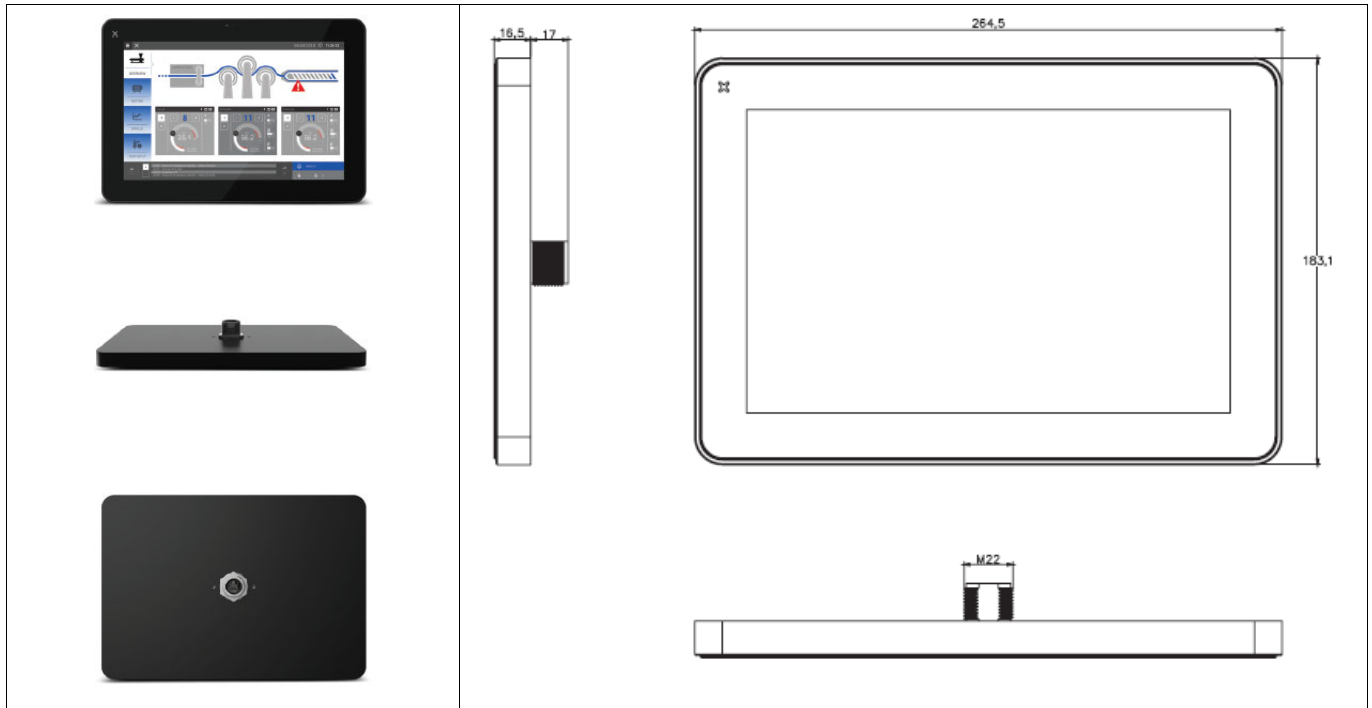
JUMO GmbH & Co. KG
 Delivery address: Mackenrodtstraße 14
 36039 Fulda, Germany
 Postal address: 36035 Fulda, Germany
 Phone: +49 661 6003-0
 Fax: +49 661 6003-607
 Email: mail@jumo.net
 Internet: www.jumo.net

JUMO Instrument Co. Ltd.
 JUMO House
 Temple Bank, Riverway
 Harlow, Essex, CM20 2DY, UK
 Phone: +44 1279 63 55 33
 Fax: +44 1279 62 50 29
 Email: sales@jumo.co.uk
 Internet: www.jumo.co.uk

JUMO Process Control, Inc.
 6724 Joy Road
 East Syracuse, NY 13057, USA
 Phone: +1 315 437 5866
 Fax: +1 315 437 5860
 Email: info.us@jumo.net
 Internet: www.jumousa.com



eX710JS – Type 705070/3-x-22-...



Screen type	TFT color screen
Touch technology	Capacitive, multi-touch operation (also with gloves)
Screen size (diagonal)	Approx. 25.7 cm (10.1")
Resolution	1280 × 800
Number of colors	16M
Brightness (luminance) typ.	400 cd/m ²
Backlight	LED (dimnable)
Interfaces	1 × Ethernet (PoE), 1 × USB host (adapter required)
Voltage supply	Power over Ethernet (IEEE 802.3af PoE)
Power consumption	12 W
Installation type	Threaded mounting M22
Dimensions without thread	264.5 mm × 183.1 mm × 16.5 mm
Thread length	17 mm
Weight	1.2 kg
Protection type	IP67 (suitable accessories and suitable cables required)
Operating temperature range	-20 to +55 °C (vertical mounting)
Storage temperature range	-30 to +80 °C
Resistance to climatic conditions	Relative humidity 5 to 85 %, non-condensing
Approvals	cULus
Model (www.exorint.com)	JSmart710

The complete technical data as well as further technical information can be found in the manufacturer's original documents (www.exorint.com).

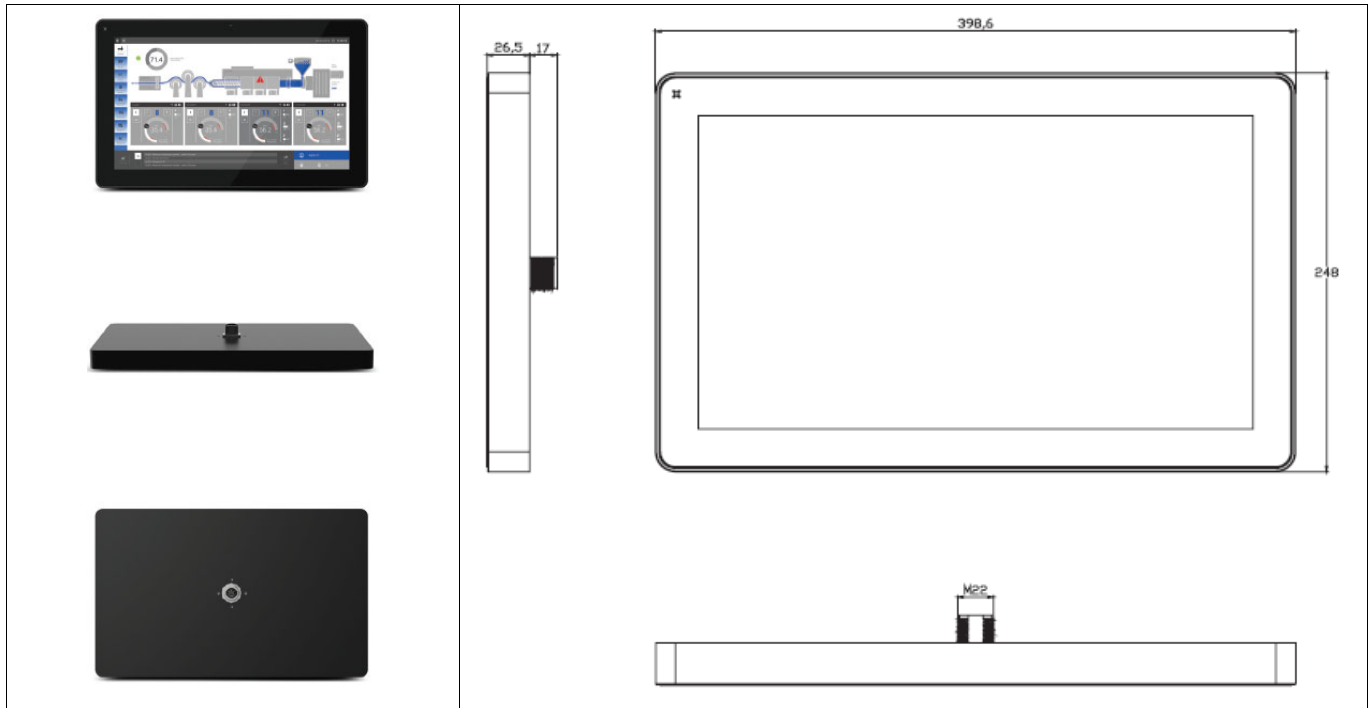
JUMO GmbH & Co. KG
 Delivery address: Mackenrodtstraße 14
 36039 Fulda, Germany
 Postal address: 36035 Fulda, Germany
 Phone: +49 661 6003-0
 Fax: +49 661 6003-607
 Email: mail@jumo.net
 Internet: www.jumo.net

JUMO Instrument Co. Ltd.
 JUMO House
 Temple Bank, Riverway
 Harlow, Essex, CM20 2DY, UK
 Phone: +44 1279 63 55 33
 Fax: +44 1279 62 50 29
 Email: sales@jumo.co.uk
 Internet: www.jumo.co.uk

JUMO Process Control, Inc.
 6724 Joy Road
 East Syracuse, NY 13057, USA
 Phone: +1 315 437 5866
 Fax: +1 315 437 5860
 Email: info.us@jumo.net
 Internet: www.jumousa.com



eX715JS – Type 705070/3-x-32-...



Screen type	TFT color screen
Touch technology	Capacitive, multi-touch operation (also with gloves)
Screen size (diagonal)	Approx. 39.6 cm (15.6")
Resolution	1366 × 768
Number of colors	16M
Brightness (luminance) typ.	400 cd/m ²
Backlight	LED (dimnable)
Interfaces	1 × Ethernet (PoE), 1 × USB host (adapter required)
Voltage supply	Power over Ethernet (IEEE 802.3af PoE)
Power consumption	19 W
Installation type	Threaded mounting M22
Dimensions without thread	398.6 mm × 248 mm × 26.5 mm
Thread length	17 mm
Weight	4.0 kg
Protection type	IP67 (suitable accessories and suitable cables required)
Operating temperature range	-20 to +55 °C (vertical mounting)
Storage temperature range	-30 to +80 °C
Resistance to climatic conditions	Relative humidity 5 to 85 %, non-condensing
Approvals	cULus
Model (www.exorint.com)	JSmart715

The complete technical data as well as further technical information can be found in the manufacturer's original documents (www.exorint.com).

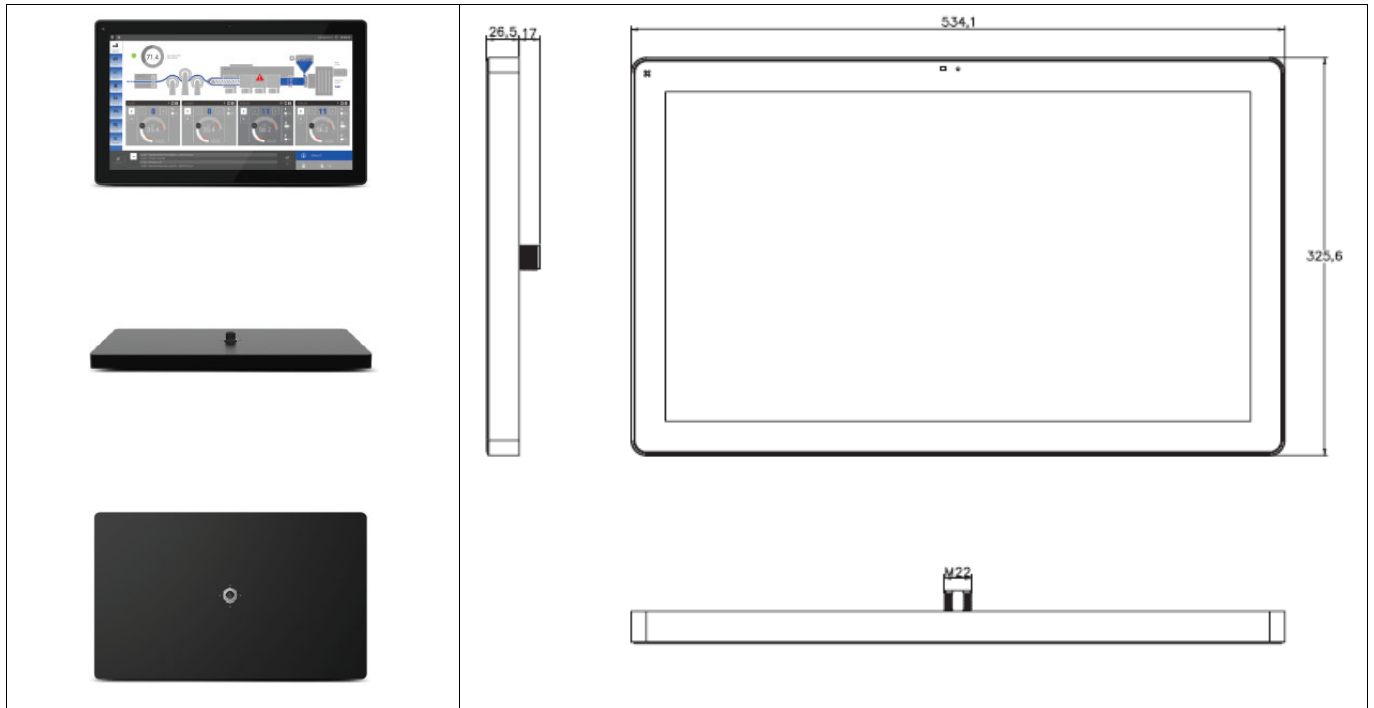
JUMO GmbH & Co. KG
 Delivery address: Mackenrodtstraße 14
 36039 Fulda, Germany
 Postal address: 36035 Fulda, Germany
 Phone: +49 661 6003-0
 Fax: +49 661 6003-607
 Email: mail@jumo.net
 Internet: www.jumo.net

JUMO Instrument Co. Ltd.
 JUMO House
 Temple Bank, Riverway
 Harlow, Essex, CM20 2DY, UK
 Phone: +44 1279 63 55 33
 Fax: +44 1279 62 50 29
 Email: sales@jumo.co.uk
 Internet: www.jumo.co.uk

JUMO Process Control, Inc.
 6724 Joy Road
 East Syracuse, NY 13057, USA
 Phone: +1 315 437 5866
 Fax: +1 315 437 5860
 Email: info.us@jumo.net
 Internet: www.jumousa.com



eX721JS – Type 705070/3-x-42-...



Screen type	TFT color screen
Touch technology	Capacitive, multi-touch operation (also with gloves)
Screen size (diagonal)	Approx. 54.6 cm (21.5")
Resolution	1920 × 1080
Number of colors	16M
Brightness (luminance) typ.	400 cd/m ²
Backlight	LED (dimnable)
Interfaces	1 × Ethernet (PoE), 1 × USB host (adapter required)
Voltage supply	Power over Ethernet (IEEE 802.3af PoE)
Power consumption	32 W
Installation type	Threaded mounting M22
Dimensions without thread	534.1 mm × 325.6 mm × 26.5 mm
Thread length	17 mm
Weight	6.0 kg
Protection type	IP67 (suitable accessories and suitable cables required)
Operating temperature range	-20 to +55 °C (vertical mounting)
Storage temperature range	-30 to +80 °C
Resistance to climatic conditions	Relative humidity 5 to 85 %, non-condensing
Approvals	cULus
Model (www.exorint.com)	JSmart721

The complete technical data as well as further technical information can be found in the manufacturer's original documents (www.exorint.com).

JUMO GmbH & Co. KG
 Delivery address: Mackenrodtstraße 14
 36039 Fulda, Germany
 Postal address: 36035 Fulda, Germany
 Phone: +49 661 6003-0
 Fax: +49 661 6003-607
 Email: mail@jumo.net
 Internet: www.jumo.net

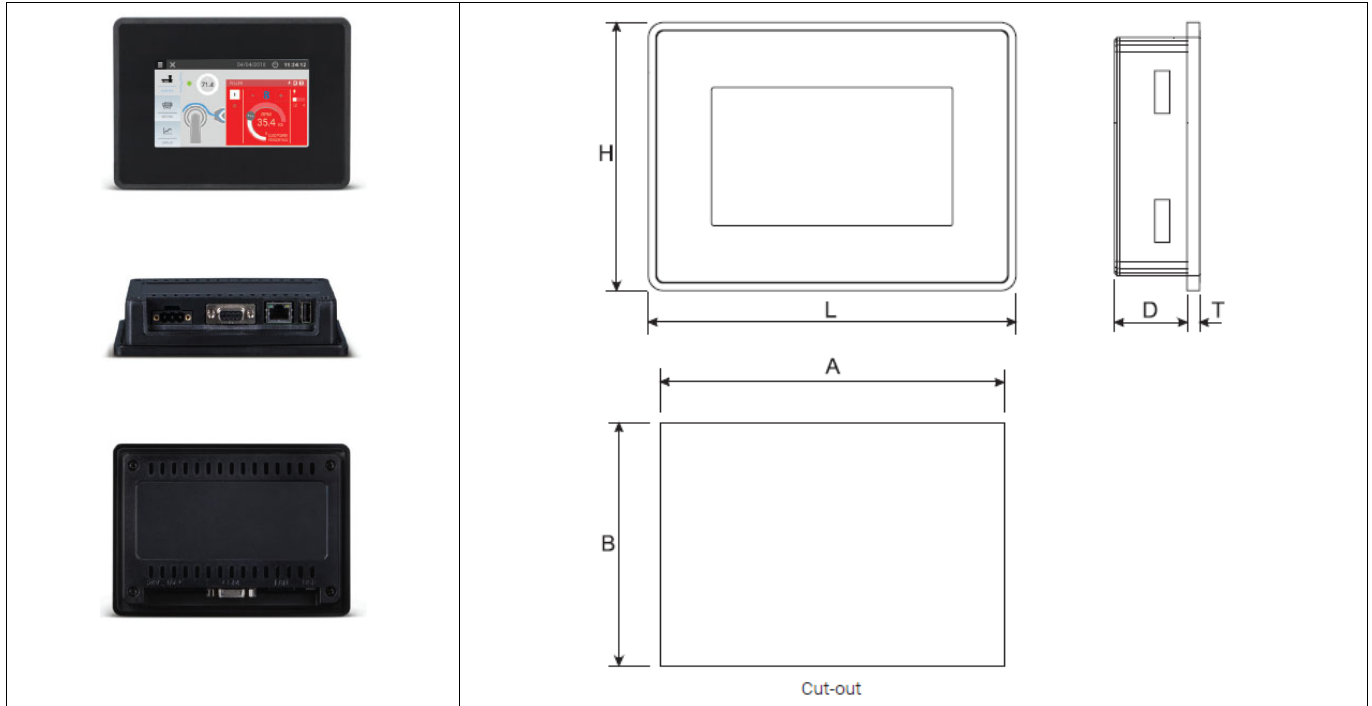
JUMO Instrument Co. Ltd.
 JUMO House
 Temple Bank, Riverway
 Harlow, Essex, CM20 2DY, UK
 Phone: +44 1279 63 55 33
 Fax: +44 1279 62 50 29
 Email: sales@jumo.co.uk
 Internet: www.jumo.co.uk

JUMO Process Control, Inc.
 6724 Joy Road
 East Syracuse, NY 13057, USA
 Phone: +1 315 437 5866
 Fax: +1 315 437 5860
 Email: info.us@jumo.net
 Internet: www.jumousa.com



EXOR eSMART eXES

eX04ES – Type 705070/4-x-01-...



Screen type	TFT color screen
Touch technology	Resistive
Screen size (diagonal)	Approx. 10.9 cm (4.3")
Resolution	480 × 272
Number of colors	64k
Brightness (luminance) typ.	200 cd/m ²
Backlight	LED (dimnable)
Interfaces	1 × Ethernet, 1 × USB host, 1 × serial
Voltage supply	DC 24 V (10 to 32 V)
Current consumption	0.25 A at DC 24 V
Installation type	Installation in panel cut-out
Dimensions L × H × (D + T)	147 mm × 107 mm × (29 + 5) mm
Front panel depth T	5 mm
Mounting depth D	29 mm
Panel cut-out A × B	136 mm × 96 mm
Weight	Approx. 0.4 kg
Protection type	IP66 (front side), IP20 (rear side)
Operating temperature range	0 to 50 °C (vertical mounting)
Storage temperature range	-20 to +70 °C
Resistance to climatic conditions	Relative humidity 5 to 85 %, non-condensing
Approvals	cULus, DNV GL
Model (www.exorint.com)	eSMART04M

The complete technical data as well as further technical information can be found in the manufacturer's original documents (www.exorint.com).

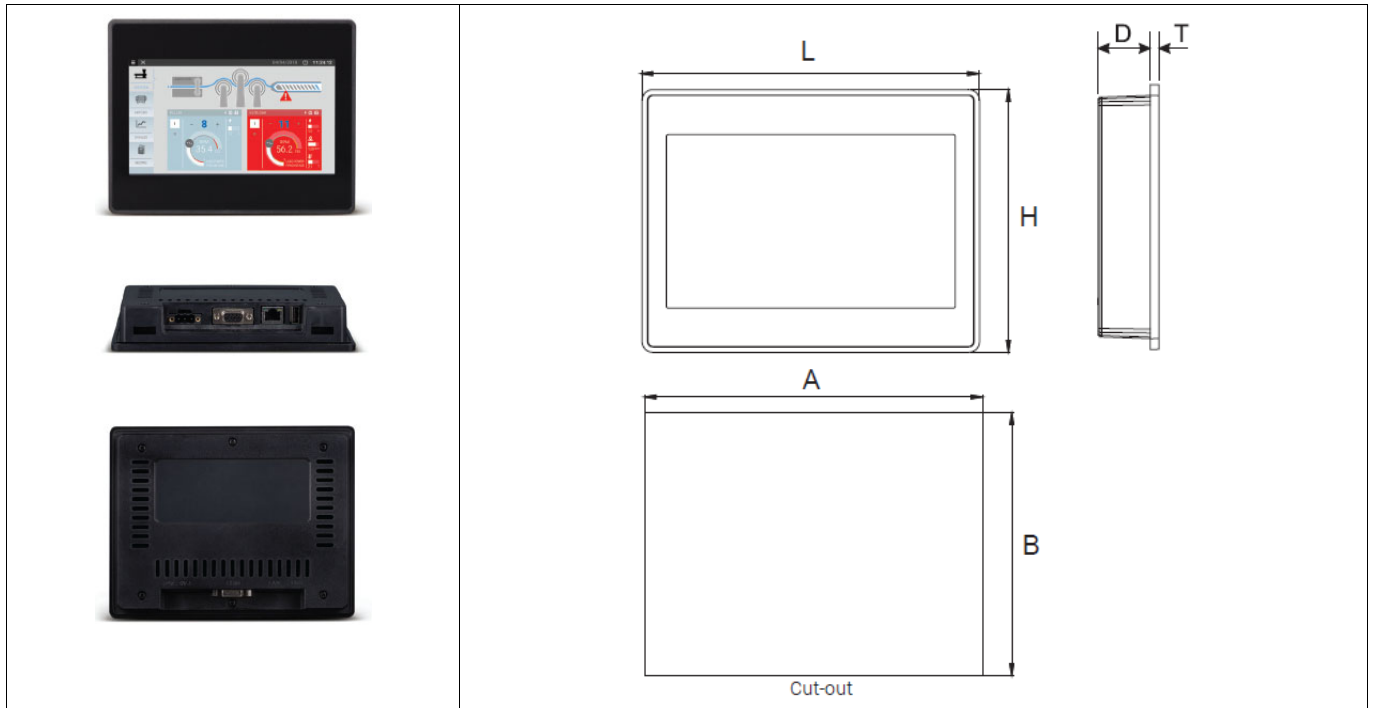
JUMO GmbH & Co. KG
 Delivery address: Mackenrodtstraße 14
 36039 Fulda, Germany
 Postal address: 36035 Fulda, Germany
 Phone: +49 661 6003-0
 Fax: +49 661 6003-607
 Email: mail@jumo.net
 Internet: www.jumo.net

JUMO Instrument Co. Ltd.
 JUMO House
 Temple Bank, Riverway
 Harlow, Essex, CM20 2DY, UK
 Phone: +44 1279 63 55 33
 Fax: +44 1279 62 50 29
 Email: sales@jumo.co.uk
 Internet: www.jumo.co.uk

JUMO Process Control, Inc.
 6724 Joy Road
 East Syracuse, NY 13057, USA
 Phone: +1 315 437 5866
 Fax: +1 315 437 5860
 Email: info.us@jumo.net
 Internet: www.jumousa.com



eX07ES – Type 705070/4-x-13-...



Screen type	TFT color screen
Touch technology	Resistive
Screen size (diagonal)	Approx. 17.8 cm (7")
Resolution	800 × 480
Number of colors	64k
Brightness (luminance) typ.	200 cd/m ²
Backlight	LED (dimnable)
Interfaces	1 × Ethernet, 1 × USB host, 1 × serial
Voltage supply	DC 24 V (10 to 32 V)
Current consumption	0.3 A at DC 24 V
Installation type	Installation in panel cut-out
Dimensions L × H × (D + T)	187 mm × 147 mm × (29 + 5) mm
Front panel depth T	5 mm
Mounting depth D	29 mm
Panel cut-out A × B	176 mm × 136 mm
Weight	Apprpx. 0.6 kg
Protection type	IP66 (front side), IP20 (rear side)
Operating temperature range	0 to 50 °C (vertical mounting)
Storage temperature range	-20 to +70 °C
Resistance to climatic conditions	Relative humidity 5 to 85 %, non-condensing
Approvals	cULus, DNV GL
Model (www.exorint.com)	eSMART07M

The complete technical data as well as further technical information can be found in the manufacturer's original documents (www.exorint.com).

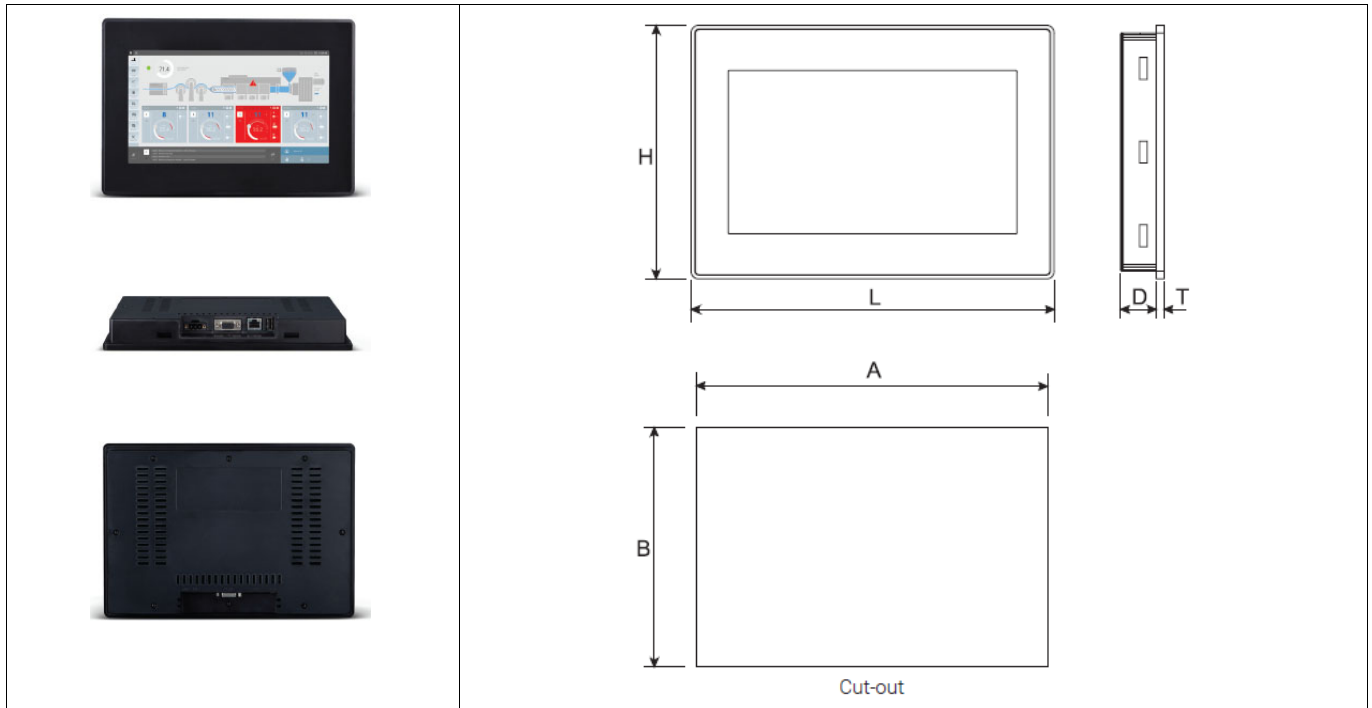
JUMO GmbH & Co. KG
 Delivery address: Mackenrodtstraße 14
 36039 Fulda, Germany
 Postal address: 36035 Fulda, Germany
 Phone: +49 661 6003-0
 Fax: +49 661 6003-607
 Email: mail@jumo.net
 Internet: www.jumo.net

JUMO Instrument Co. Ltd.
 JUMO House
 Temple Bank, Riverway
 Harlow, Essex, CM20 2DY, UK
 Phone: +44 1279 63 55 33
 Fax: +44 1279 62 50 29
 Email: sales@jumo.co.uk
 Internet: www.jumo.co.uk

JUMO Process Control, Inc.
 6724 Joy Road
 East Syracuse, NY 13057, USA
 Phone: +1 315 437 5866
 Fax: +1 315 437 5860
 Email: info.us@jumo.net
 Internet: www.jumousa.com



eX10ES – Type 705070/4-x-23-...



Screen type	TFT color screen
Touch technology	Resistive
Screen size (diagonal)	Approx. 25.7 cm (10.1")
Resolution	1024 × 600
Number of colors	64k
Brightness (luminance) typ.	200 cd/m ²
Backlight	LED (dimnable)
Interfaces	1 × Ethernet, 1 × USB host, 1 × serial
Voltage supply	DC 24 V (10 to 32 V)
Current consumption	0.38 A at DC 24 V
Installation type	Installation in panel cut-out
Dimensions L × H × (D + T)	282 mm × 197 mm × (29 + 6) mm
Front panel depth T	6 mm
Mounting depth D	29 mm
Panel cut-out A × B	271 mm × 186 mm
Weight	Approx. 1.0 kg
Protection type	IP66 (front side), IP20 (rear side)
Operating temperature range	0 to 50 °C (vertical mounting)
Storage temperature range	-20 to +70 °C
Resistance to climatic conditions	Relative humidity 5 to 85 %, non-condensing
Approvals	cULus, DNV GL
Model (www.exorint.com)	eSMART10

The complete technical data as well as further technical information can be found in the manufacturer's original documents (www.exorint.com).

JUMO GmbH & Co. KG
 Delivery address: Mackenrodtstraße 14
 36039 Fulda, Germany
 Postal address: 36035 Fulda, Germany
 Phone: +49 661 6003-0
 Fax: +49 661 6003-607
 Email: mail@jumo.net
 Internet: www.jumo.net

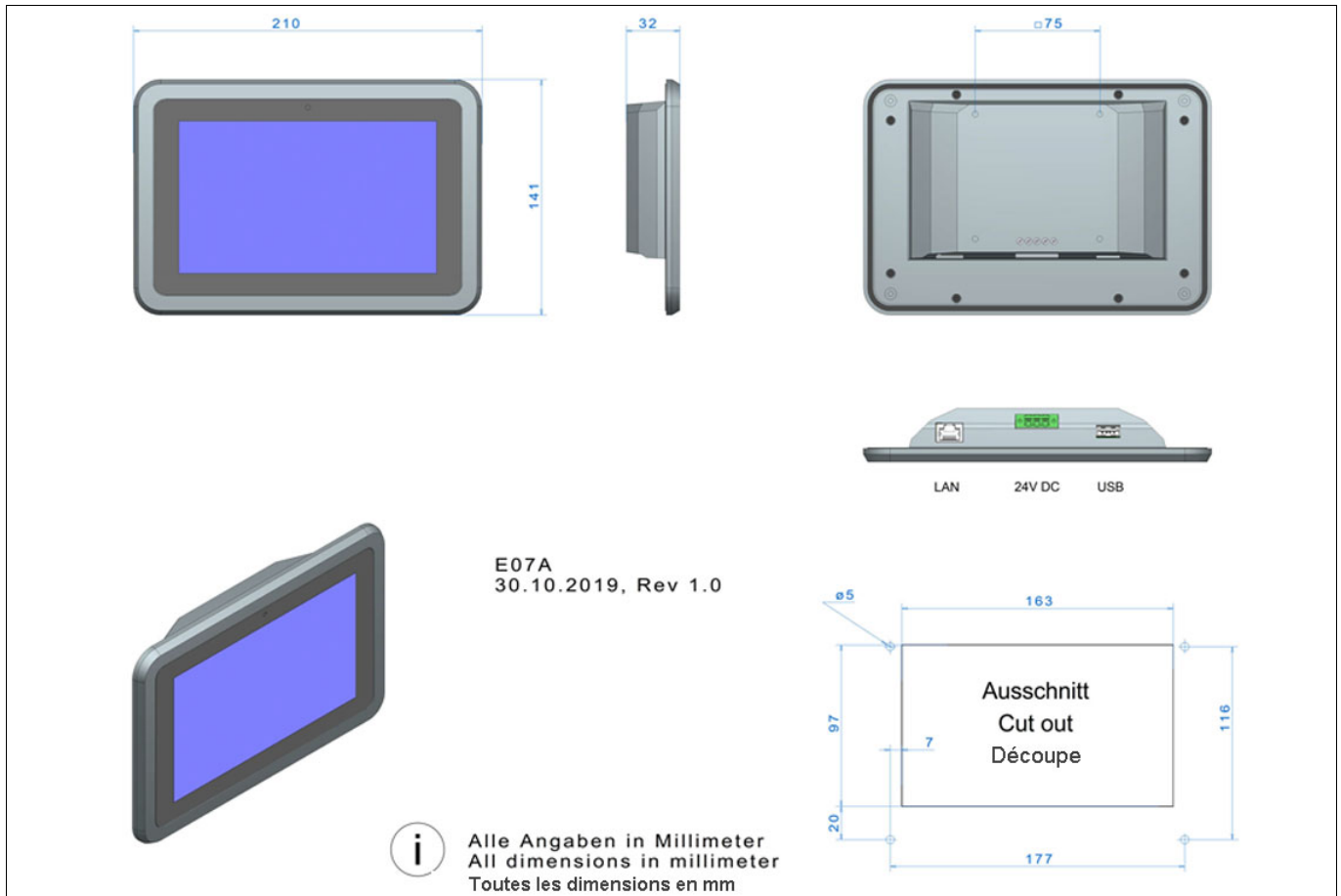
JUMO Instrument Co. Ltd.
 JUMO House
 Temple Bank, Riverway
 Harlow, Essex, CM20 2DY, UK
 Phone: +44 1279 63 55 33
 Fax: +44 1279 62 50 29
 Email: sales@jumo.co.uk
 Internet: www.jumo.co.uk

JUMO Process Control, Inc.
 6724 Joy Road
 East Syracuse, NY 13057, USA
 Phone: +1 315 437 5866
 Fax: +1 315 437 5860
 Email: info.us@jumo.net
 Internet: www.jumousa.com



tci

E07A-XI – Type 705070/5-x-14-...



Screen type	TFT color screen
Touch technology	Capacitive, multi-touch operation
Screen size (diagonal)	Approx. 17.8 cm (7")
Resolution	1024 × 600
Backlight	LED
Interfaces	1 × Ethernet, 1 × USB host
Voltage supply	DC 24 V
Installation type	Installation in panel cut-out (or VESA 75 fastening)
Dimensions	210 mm × 141 mm × 32 mm
Panel cut-out	163 mm × 97 mm
Weight	Approx. 0.45 kg
Protection type	At the front IP54, at the rear IP20
Operating temperature range	0 to 60 °C ^a
Storage temperature range	0 to 70 °C
Resistance to climatic conditions	Relative humidity 10 to 90 %, non-condensing
Approvals	Not available
Model (www.tci.de)	E07A-XI

^a Depending on components, cooling concept and equipment.

The complete technical data as well as further technical information can be found in the manufacturer's original documents (www.tci.de).

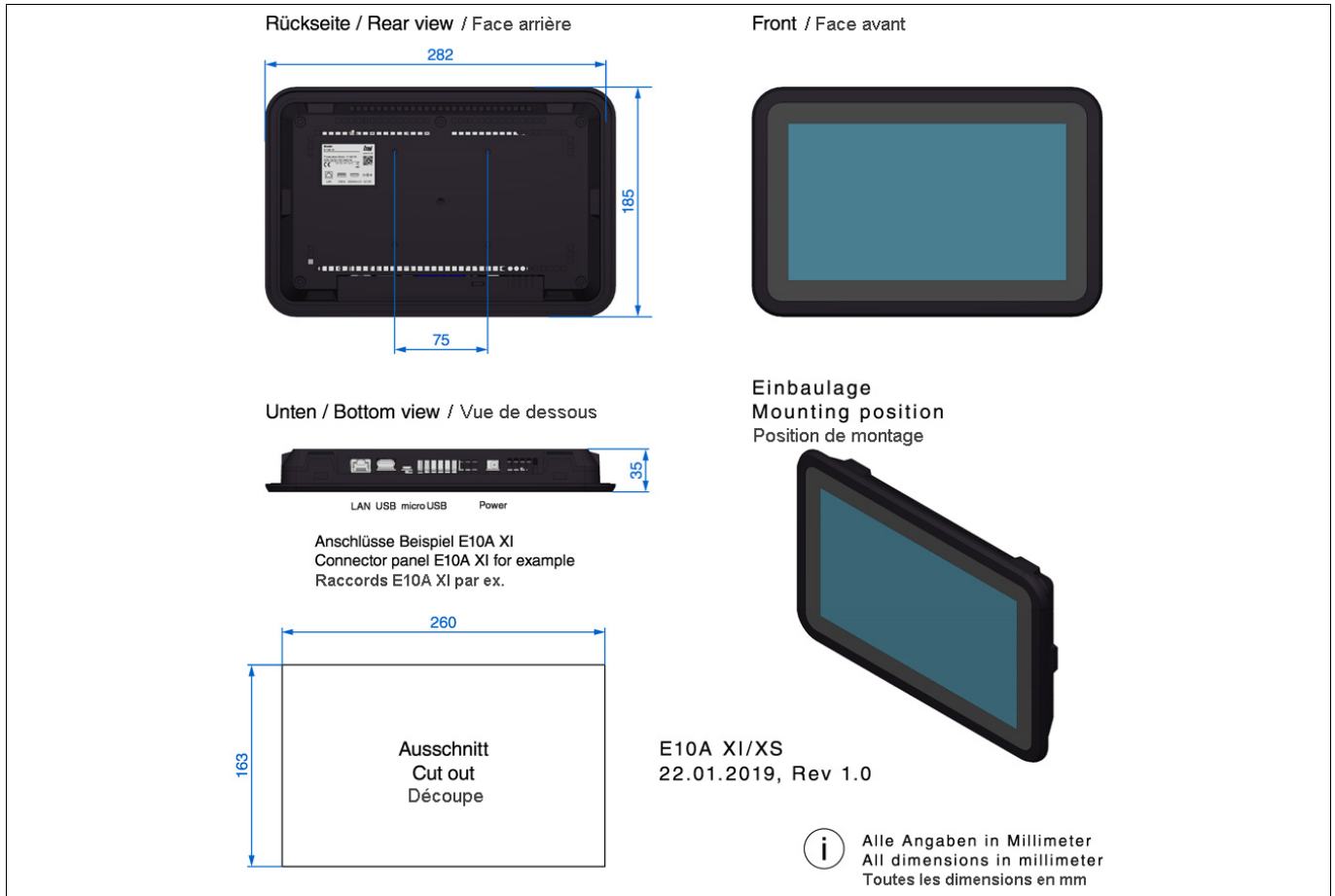
JUMO GmbH & Co. KG
 Delivery address: Mackenrodtstraße 14
 36039 Fulda, Germany
 Postal address: 36035 Fulda, Germany
 Phone: +49 661 6003-0
 Fax: +49 661 6003-607
 Email: mail@jumo.net
 Internet: www.jumo.net

JUMO Instrument Co. Ltd.
 JUMO House
 Temple Bank, Riverway
 Harlow, Essex, CM20 2DY, UK
 Phone: +44 1279 63 55 33
 Fax: +44 1279 62 50 29
 Email: sales@jumo.co.uk
 Internet: www.jumo.co.uk

JUMO Process Control, Inc.
 6724 Joy Road
 East Syracuse, NY 13057, USA
 Phone: +1 315 437 5866
 Fax: +1 315 437 5860
 Email: info.us@jumo.net
 Internet: www.jumousa.com



E10A-XI – Type 705070/5-x-24-...



Screen type	TFT color screen
Touch technology	Capacitive, multi-touch operation
Screen size (diagonal)	Approx. 25.4 cm (10")
Resolution	1024 × 600
Backlight	LED
Interfaces	1 × Ethernet, 1 × USB host, 1 × USB device, 1 × serial
Voltage supply	DC 24 V
Installation type	Installation in panel cut-out (or VESA 75 fastening)
Dimensions	282 mm × 185 mm × 35 mm
Panel cut-out	260 mm × 163 mm
Weight	Approx. 1.0 kg
Protection type	At the front IP54, at the rear IP20
Operating temperature range	0 to 50 °C ^a
Storage temperature range	0 to 70 °C
Resistance to climatic conditions	Relative humidity 10 to 90 %, non-condensing
Approvals	cULus
Model (www.tci.de)	E10A-XI

^a Depending on components, cooling concept and equipment.

The complete technical data as well as further technical information can be found in the manufacturer's original documents (www.tci.de).

JUMO GmbH & Co. KG
 Delivery address: Mackenrodtstraße 14
 36039 Fulda, Germany
 Postal address: 36035 Fulda, Germany
 Phone: +49 661 6003-0
 Fax: +49 661 6003-607
 Email: mail@jumo.net
 Internet: www.jumo.net

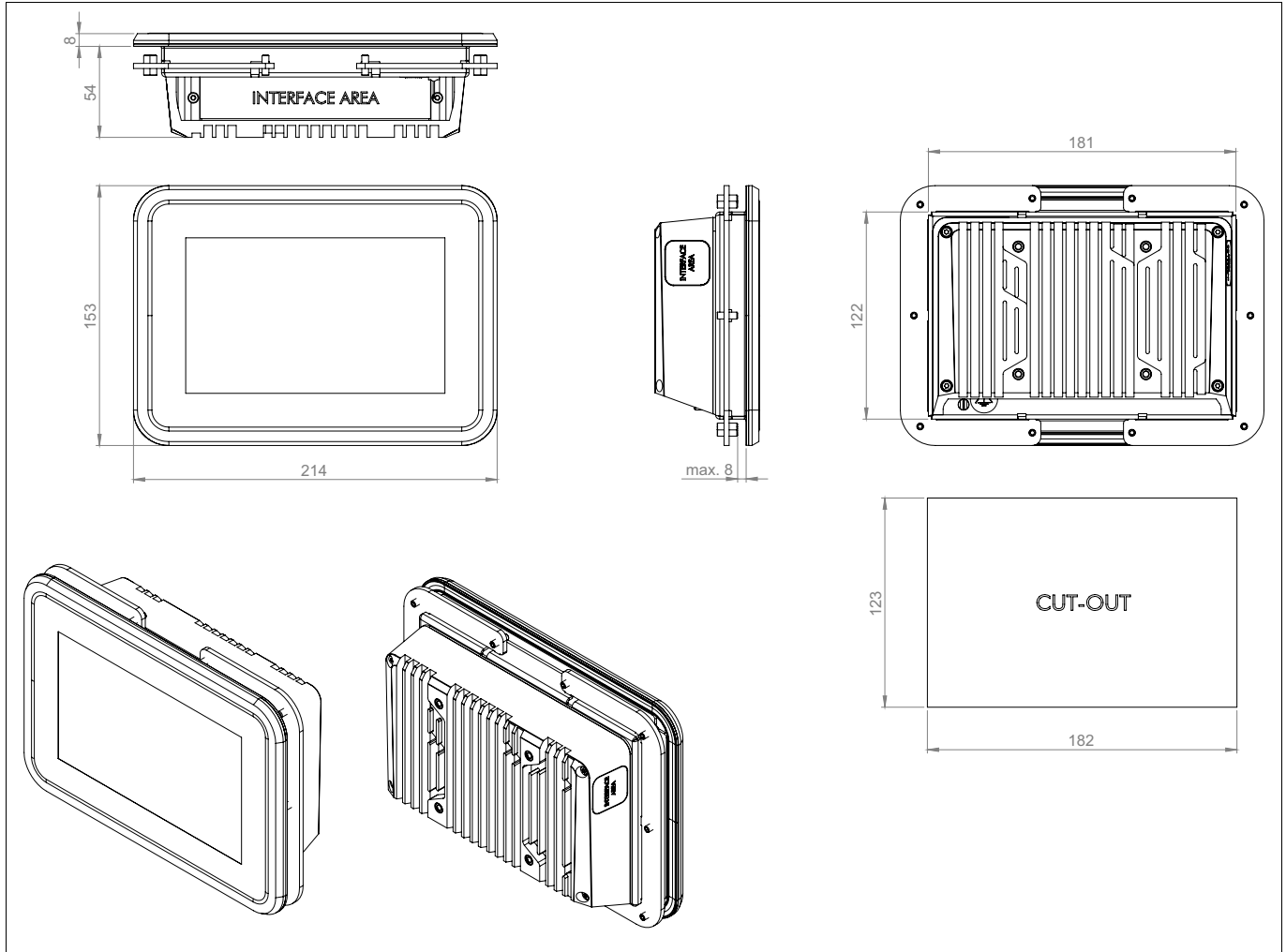
JUMO Instrument Co. Ltd.
 JUMO House
 Temple Bank, Riverway
 Harlow, Essex, CM20 2DY, UK
 Phone: +44 1279 63 55 33
 Fax: +44 1279 62 50 29
 Email: sales@jumo.co.uk
 Internet: www.jumo.co.uk

JUMO Process Control, Inc.
 6724 Joy Road
 East Syracuse, NY 13057, USA
 Phone: +1 315 437 5866
 Fax: +1 315 437 5860
 Email: info.us@jumo.net
 Internet: www.jumousa.com



Christ Touch Hygienic (FB)

Front Panel 7 – Type 705070/6-x-15-...



Screen type	TFT color screen
Touch technology	Capacitive, multi-touch operation
Screen size (diagonal)	Approx. 17.8 cm (7")
Dissolution	800 × 480
Number of colors	16.7M
Brightness (luminance)	typ. 500 cd/m ²
Backlight	LED
Interfaces	2 × Ethernet, 2 × USB host
Voltage supply	DC 12 to 24 V ±20 %
Power consumption	Max. 20 W
Installation type	Installation in panel cut-out (or VESA 75 fastening)
Dimensions	214 mm × 153 mm × (54 + 8) mm
Panel cut-out	182 mm × 123 mm
Panel thickness	Max. 8 mm
Weight	Approx. 2.5 kg
Protection type	At the front IP69, at the rear IP20
Operating temperature range	0 to 50 °C

JUMO GmbH & Co. KG

Delivery address: Mackenrodtstraße 14
36039 Fulda, Germany
Postal address: 36035 Fulda, Germany
Phone: +49 661 6003-0
Fax: +49 661 6003-607
Email: mail@jumo.net
Internet: www.jumo.net

JUMO Instrument Co. Ltd.

JUMO House
Temple Bank, Riverway
Harlow, Essex, CM20 2DY, UK
Phone: +44 1279 63 55 33
Fax: +44 1279 62 50 29
Email: sales@jumo.co.uk
Internet: www.jumo.co.uk

JUMO Process Control, Inc.

6724 Joy Road
East Syracuse, NY 13057, USA
Phone: +1 315 437 5866
Fax: +1 315 437 5860
Email: info.us@jumo.net
Internet: www.jumousa.com



Storage temperature range	-10 to +70 °C
Resistance to climatic conditions	Relative humidity 5 to 80 %, non-condensing
Approvals	Not available
Model (www.christ-es.com)	Touch Hygienic Webpanel Front Panel 7

The complete technical data as well as further technical information can be found in the manufacturer's original documents (www.christ-es.com).

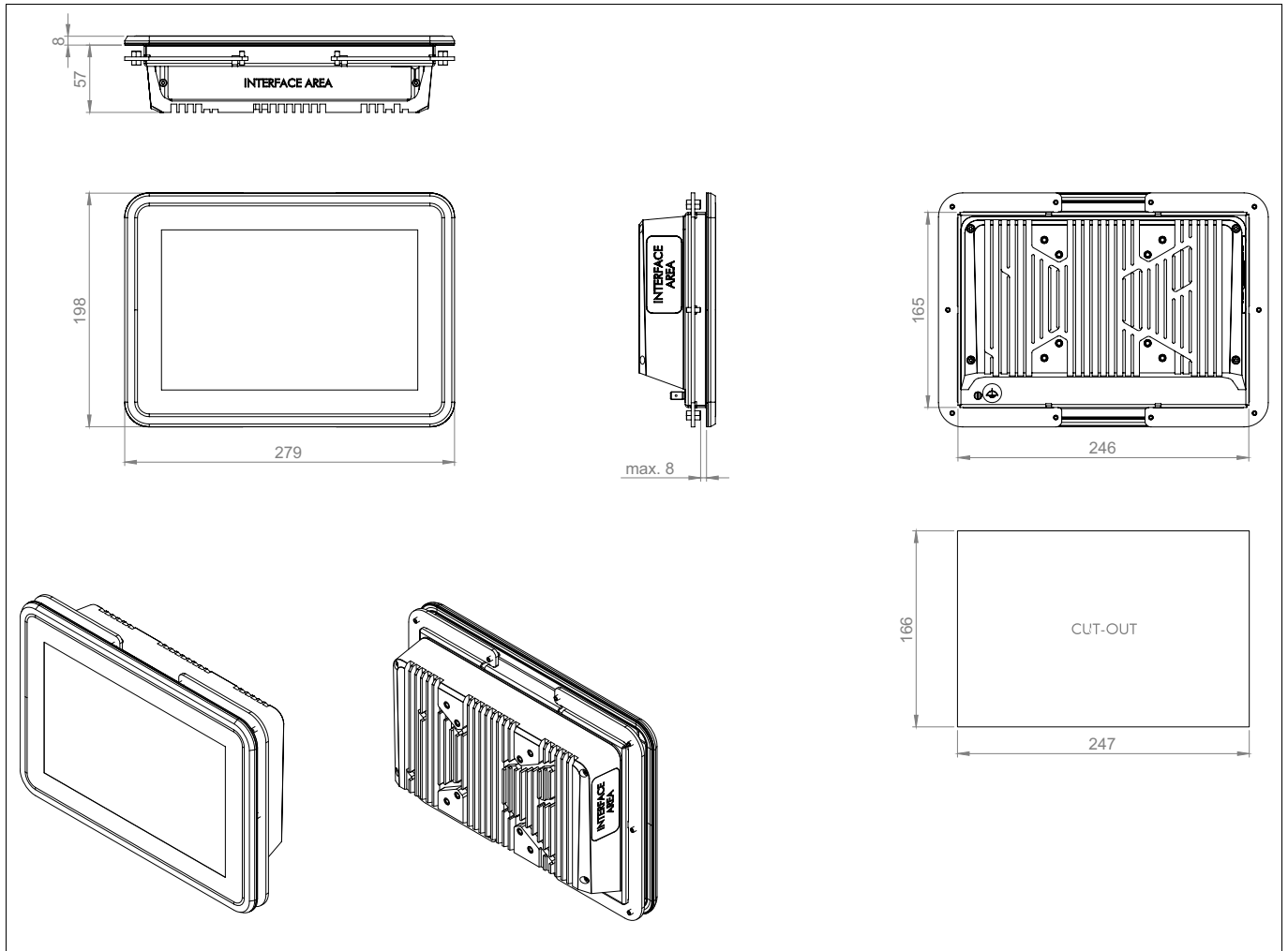
JUMO GmbH & Co. KG
 Delivery address: Mackenrodtstraße 14
 36039 Fulda, Germany
 Postal address: 36035 Fulda, Germany
 Phone: +49 661 6003-0
 Fax: +49 661 6003-607
 Email: mail@jumo.net
 Internet: www.jumo.net

JUMO Instrument Co. Ltd.
 JUMO House
 Temple Bank, Riverway
 Harlow, Essex, CM20 2DY, UK
 Phone: +44 1279 63 55 33
 Fax: +44 1279 62 50 29
 Email: sales@jumo.co.uk
 Internet: www.jumo.co.uk

JUMO Process Control, Inc.
 6724 Joy Road
 East Syracuse, NY 13057, USA
 Phone: +1 315 437 5866
 Fax: +1 315 437 5860
 Email: info.us@jumo.net
 Internet: www.jumousa.com



Front Panel 10.1 – Type 705070/6-x-26-...



Screen type	TFT color screen
Touch technology	Capacitive, multi-touch operation
Screen size (diagonal)	Approx. 25.7 cm (10.1")
Dissolution	1280 × 800
Number of colors	16.2
Brightness (luminance)	typ. 500 cd/m ²
Backlight	LED
Interfaces	2 × Ethernet, 2 × USB host
Voltage supply	DC 12 to 24 V ±20 %
Power consumption	max. 25 W
Installation type	Installation in panel cut-out (or VESA 75 fastening)
Dimensions	279 mm × 198 mm × (57 + 8) mm
Panel cut-out	247 mm × 166 mm
Panel thickness	Max. 8 mm
Weight	Approx. 3.0 kg
Protection type	At the front IP69, at the rear IP20
Operating temperature range	0 to 50 °C
Storage temperature range	-10 to +70 °C
Resistance to climatic conditions	Relative humidity 5 to 80 %, non-condensing

JUMO GmbH & Co. KG
Delivery address: Mackenrodtstraße 14
36039 Fulda, Germany
Postal address: 36035 Fulda, Germany
Phone: +49 661 6003-0
Fax: +49 661 6003-607
Email: mail@jumo.net
Internet: www.jumo.net

JUMO Instrument Co. Ltd.
JUMO House
Temple Bank, Riverway
Harlow, Essex, CM20 2DY, UK
Phone: +44 1279 63 55 33
Fax: +44 1279 62 50 29
Email: sales@jumo.co.uk
Internet: www.jumo.co.uk

JUMO Process Control, Inc.
6724 Joy Road
East Syracuse, NY 13057, USA
Phone: +1 315 437 5866
Fax: +1 315 437 5860
Email: info.us@jumo.net
Internet: www.jumousa.com



Approvals	Not available
Model (www.christ-es.com)	Touch Hygienic Webpanel Front Panel 10.1

The complete technical data as well as further technical information can be found in the manufacturer's original documents (www.christ-es.com).

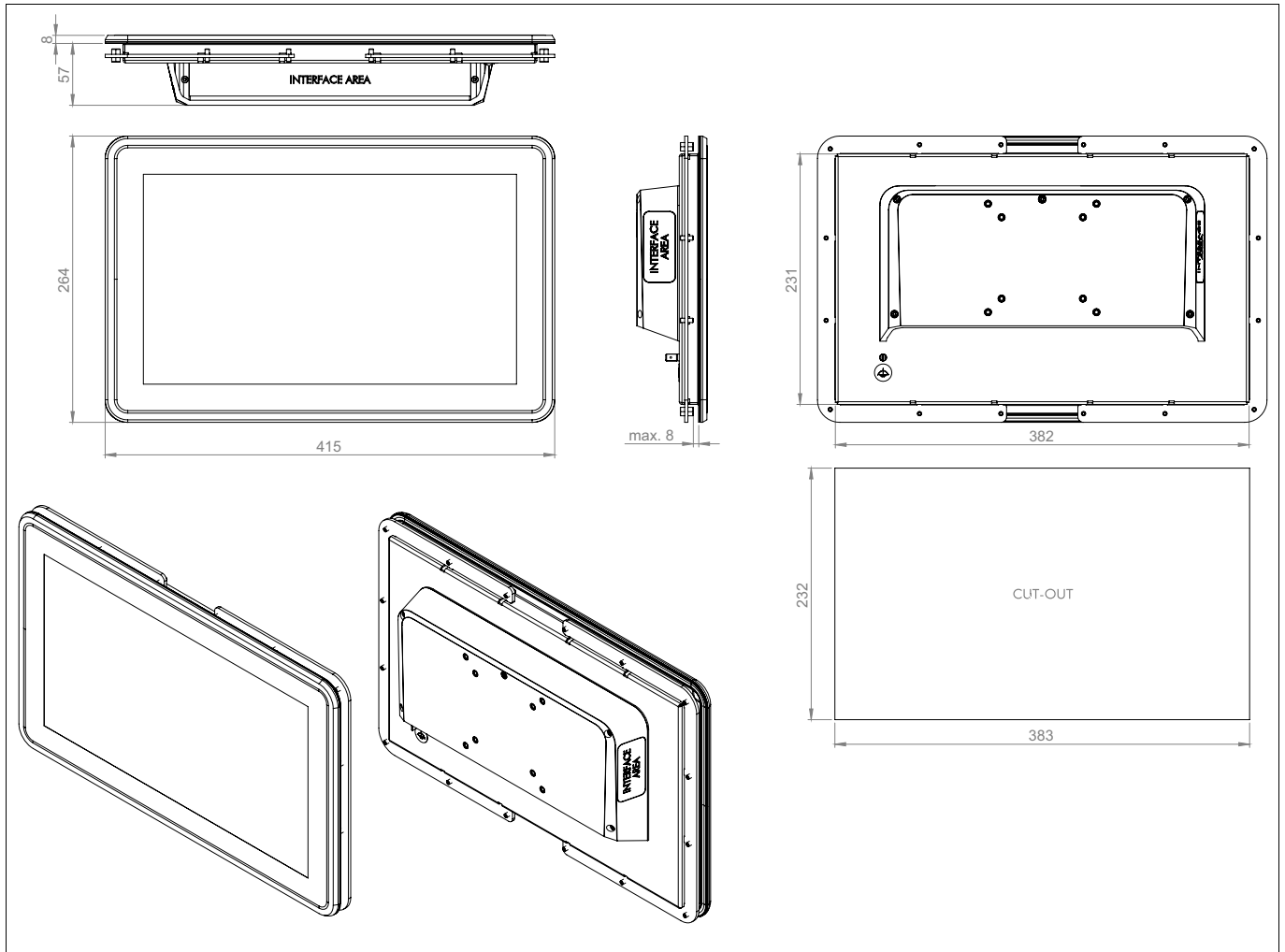
JUMO GmbH & Co. KG
 Delivery address: Mackenrodtstraße 14
 36039 Fulda, Germany
 Postal address: 36035 Fulda, Germany
 Phone: +49 661 6003-0
 Fax: +49 661 6003-607
 Email: mail@jumo.net
 Internet: www.jumo.net

JUMO Instrument Co. Ltd.
 JUMO House
 Temple Bank, Riverway
 Harlow, Essex, CM20 2DY, UK
 Phone: +44 1279 63 55 33
 Fax: +44 1279 62 50 29
 Email: sales@jumo.co.uk
 Internet: www.jumo.co.uk

JUMO Process Control, Inc.
 6724 Joy Road
 East Syracuse, NY 13057, USA
 Phone: +1 315 437 5866
 Fax: +1 315 437 5860
 Email: info.us@jumo.net
 Internet: www.jumousa.com



Front Panel 15.6 – Type 705070/6-x-35-...



Screen type	TFT color screen
Touch technology	Capacitive, multi-touch operation
Screen size (diagonal)	Approx. 39.6 cm (15.6")
Dissolution	1366 × 768
Number of colors	16.2M
Brightness (luminance)	typ. 400 cd/m ²
Backlight	LED
Interfaces	2 × Ethernet, 2 × USB host
Voltage supply	DC 12 to 24 V ±20 %
Power consumption	max. 25 W
Installation type	Installation in panel cut-out (or VESA 75 fastening)
Dimensions	415 mm × 264 mm × (57 + 8) mm
Panel cut-out	383 mm × 232 mm
Panel thickness	Max. 8 mm
Weight	Approx. 4.8 kg
Protection type	At the front IP69, at the rear IP20
Operating temperature range	0 to 50 °C
Storage temperature range	-10 to +70 °C
Resistance to climatic conditions	Relative humidity 5 to 80 %, non-condensing

JUMO GmbH & Co. KG
Delivery address: Mackenrodtstraße 14
36039 Fulda, Germany
Postal address: 36035 Fulda, Germany
Phone: +49 661 6003-0
Fax: +49 661 6003-607
Email: mail@jumo.net
Internet: www.jumo.net

JUMO Instrument Co. Ltd.
JUMO House
Temple Bank, Riverway
Harlow, Essex, CM20 2DY, UK
Phone: +44 1279 63 55 33
Fax: +44 1279 62 50 29
Email: sales@jumo.co.uk
Internet: www.jumo.co.uk

JUMO Process Control, Inc.
6724 Joy Road
East Syracuse, NY 13057, USA
Phone: +1 315 437 5866
Fax: +1 315 437 5860
Email: info.us@jumo.net
Internet: www.jumousa.com



Approvals	Not available
Model (www.christ-es.com)	Touch Hygienic Webpanel Front Panel 15.6

The complete technical data as well as further technical information can be found in the manufacturer's original documents (www.christ-es.com).

JUMO GmbH & Co. KG
 Delivery address: Mackenrodtstraße 14
 36039 Fulda, Germany
 Postal address: 36035 Fulda, Germany
 Phone: +49 661 6003-0
 Fax: +49 661 6003-607
 Email: mail@jumo.net
 Internet: www.jumo.net

JUMO Instrument Co. Ltd.
 JUMO House
 Temple Bank, Riverway
 Harlow, Essex, CM20 2DY, UK
 Phone: +44 1279 63 55 33
 Fax: +44 1279 62 50 29
 Email: sales@jumo.co.uk
 Internet: www.jumo.co.uk

JUMO Process Control, Inc.
 6724 Joy Road
 East Syracuse, NY 13057, USA
 Phone: +1 315 437 5866
 Fax: +1 315 437 5860
 Email: info.us@jumo.net
 Internet: www.jumousa.com



Order details

(1)	Basic type
705070	Web panel with TFT-touchscreen
(2)	Basic type extension
1	EXOR Standard eX
2	EXOR Food & Beverage eXFB
3	EXOR JSmart eXJS
4	EXOR eSMART eXES
5	tci E-Serie E-XI
6	Christ Hygienic Front Panel (FB)
(3)	Version
8	Standard with default settings
(4)	Screen size (diagonal)^a
03	4.3" eX04ES
10	7" eX707
11	7" eX707FB
12	7" eX707JS
13	7" eX07ES
14	7" E07A-XI
15	7" Christ (FB)
20	10.1" eX710
22	10.1" eX710JS
23	10.1" eX10ES
24	10" E10A-XI
26	10.1" Christ (FB)
30	15.6" eX715
31	15.6" eX715FB
32	15.6" eX715JS
35	15.6" Christ (FB)
40	21.5" eX721
42	21.5" eX721JS
(5)	Technology^a
0	Resistive
1	Capacitive
(6)	Voltage supply^a
40	IEEE 802.3af PoE
41	DC 24 V
(7)	Extra codes^b
000	Without approval
061	With UL approval
062	With DNV GL approval

^a The selection options are dependent on the basic type extension.

^b The extra codes are dependent on the basic type extension and cannot be selected when ordering.

	(1)	(2)	(3)	(4)	(5)	(6)					
Order code	705070	/		-	8	-		-		-	
Order example	705070	/	1	-	8	-	20	-	1	-	36