

Supplementary instructions

Welded socket, threaded and hygienic adapter

VEGAPULS 10, 20, 30 series

VEGAPULS 42

VEGABAR 10, 20, 30 series

VEGAPOINT 10, 20, 30 series

VEGASWING series 50



Document ID: 65827



VEGA

Contents

| | | |
|-----------|---|-----------|
| 1 | Product description | 3 |
| 2 | Welded socket - VEGABAR series 10, 20, 30 | 5 |
| 2.1 | Threaded fittings | 5 |
| 2.2 | Hygienic fittings | 9 |
| 3 | Welded socket - VEGAPOINT series 10, 20, 30 | 11 |
| 3.1 | Threaded fittings | 11 |
| 3.2 | Threaded fittings for pipe mounting | 14 |
| 3.3 | Hygienic fittings | 16 |
| 4 | Welded socket - VEGASWING series 50 | 17 |
| 4.1 | Threaded fittings | 17 |
| 4.2 | Hygienic fittings | 21 |
| 5 | Threaded adapter - VEGAPULS 10, 20, 30 series | 22 |
| 5.1 | Adapter | 22 |
| 6 | Threaded adapter - VEGAPOINT 10, 20, 30 series | 24 |
| 6.1 | Adapter | 24 |
| 7 | Hygienic adapter - VEGAPULS 10, 20, 30 series | 25 |
| 7.1 | Technical data, sealing concept | 25 |
| 7.2 | Clamp according to DIN 32676, ISO 2852 | 25 |
| 7.3 | Slotted nut acc. to DIN 11851 | 26 |
| 8 | Hygienic adapter - VEGABAR 20, 30 series, VEGAPOINT 10, 20, 30 series, VEGAPULS 42 | 28 |
| 8.1 | Technical data, sealing concept | 28 |
| 8.2 | Direct welded socket | 29 |
| 8.3 | Clamp according to DIN 32676, ISO 2852 | 31 |
| 8.4 | Slotted nut acc. to DIN 11851 | 34 |
| 8.5 | Slotted nut acc. to DIN 11864-1 | 37 |
| 8.6 | Slotted nut acc. to DIN 11864-2 | 41 |
| 8.7 | Slotted nut acc. to DIN 11864-3 | 42 |
| 8.8 | Further hygienic fittings | 43 |
| 9 | Hygienic adapter - VEGAPOINT 10, 20, 30 series | 49 |
| 9.1 | Technical data, sealing concept | 49 |
| 9.2 | Direct welded socket | 49 |
| 9.3 | Clamp according to DIN 32676, ISO 2852 | 50 |
| 9.4 | Slotted nut acc. to DIN 11851 | 51 |
| 9.5 | Slotted nut acc. to DIN 11864-1 | 53 |
| 9.6 | Slotted nut acc. to DIN 11864-2 | 56 |
| 9.7 | Slotted nut acc. to DIN 11864-3 | 58 |
| 9.8 | Further hygienic fittings | 59 |
| 10 | Welding, mounting | 63 |
| 10.1 | Welding instructions | 63 |
| 10.2 | Mounting instructions threaded and hygienic adapter | 64 |

1 Product description

Welded socket

Welded sockets are used for connection of sensors to the process.

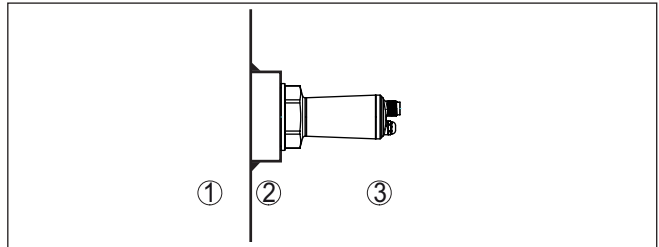


Fig. 1: Function of a welded socket

- 1 Vessel
- 2 Welded socket
- 3 Sensor

Adapter

Threaded adapters are used to adapt sensors with threaded connection to existing welded sockets.

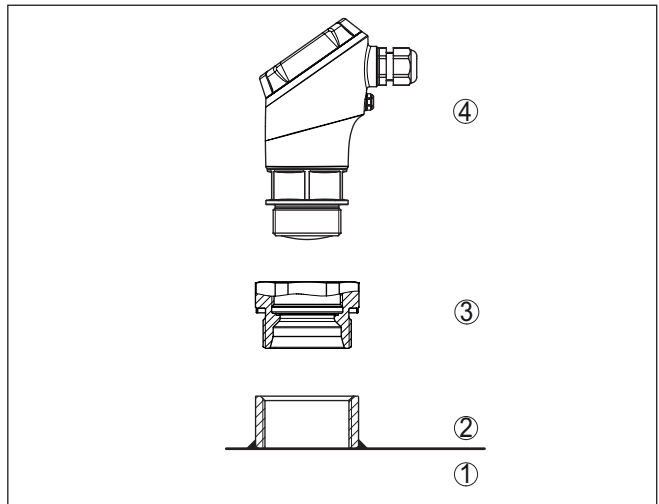


Fig. 2: Function, threaded adapter

- 1 Vessel
- 2 Welded socket
- 3 Adapter
- 4 Sensor

Hygienic adapter

Hygienic adapters are used to adapt sensors with threaded connection and cone or O-ring to existing hygienic welded sockets.

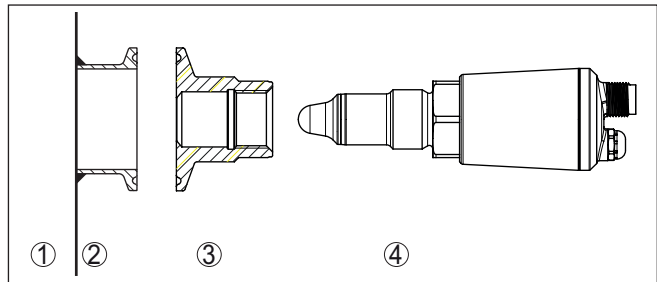


Fig. 3: Function hygienic adapter

- 1 Vessel
- 2 Welded socket
- 3 Hygienic adapter
- 4 Sensor

Process seal

A process seal is required to use the welded sockets or threaded adapters. Depending on the version, the process seal is included as an optional component in the scope of delivery of the welded socket or the sensor.

Pressure device directive

The welding sockets, threaded and hygienic adapters described here are not subject to the EU Pressure Equipment Directive if they are operated at process pressures ≤ 200 bar.

2 Welded socket - VEGABAR series 10, 20, 30

2.1 Threaded fittings

Thread G $\frac{1}{2}$ - manometer connection

| Part | Feature | Characteristic |
|---------------|-----------------------|-----------------|
| Welded socket | Size | G $\frac{1}{2}$ |
| | Standard | EN 837 |
| | Material | 316L |
| | Product code/Art. no. | WSBR.XDUXXX |
| Seal | Material | Klingsil C-4400 |
| | Configuration | Flat seal |
| | Size | 21 x 30 x 2 mm |
| Welding dummy | Material | Brass |

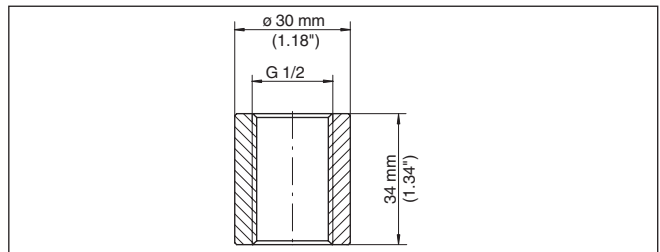
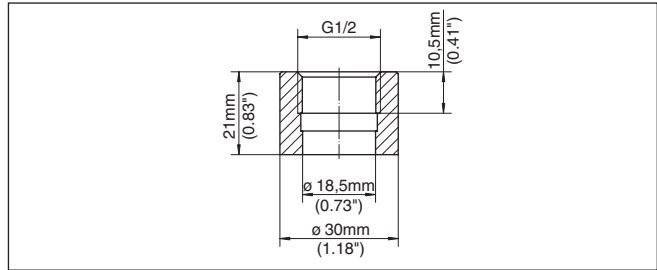


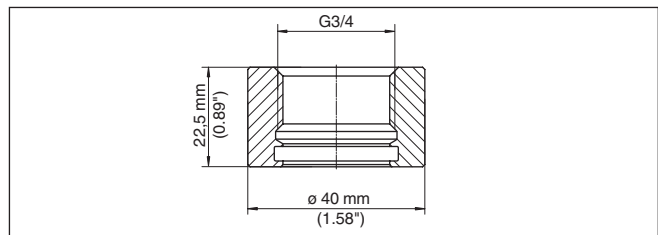
Fig. 4: Dimensions of welded socket, thread G $\frac{1}{2}$ (EN 837) - manometer connection

Thread G $\frac{1}{2}$ - front-flush

| Part | Feature | Characteristic |
|---------------|-----------------------|----------------------------|
| Welded socket | Size | G $\frac{1}{2}$ |
| | Standard | ISO 228-1 |
| | Material | 316L |
| | Product code/Art. no. | WSBR.XC3XXX |
| Seal | Material | FKM |
| | Configuration | Seal ring acc. to DIN 3869 |
| | Size | 18.5 x 23.9 x 1.5 mm |
| Welding dummy | Material | Brass |
| Blind plug | Material | 316L |

Fig. 5: Dimensions welded socket G $\frac{1}{2}$ (ISO 228-1), front-flush - VEGABAR 82Thread G $\frac{3}{4}$

| Part | Feature | Characteristic |
|---------------|-----------------------|-----------------|
| Welded socket | Size | G $\frac{3}{4}$ |
| | Standard | DIN 3852-E |
| | Material | 316L |
| | Product code/Art. no. | WSBR.XN9XXX |
| Seal | Material | FKM, EPDM, FFKM |
| | Configuration | Seal ring |
| | Size | 23.47 x 2.62 mm |
| Welding dummy | Material | Brass |

Fig. 6: Dimensions of welded socket, G $\frac{3}{4}$ (DIN 3852-X)

Thread G1

| Part | Feature | Characteristic |
|---------------|-----------------------|----------------------------|
| Welded socket | Size | G1 |
| | Standard | ISO 228-1 |
| | Material | 316L |
| | Product code/Art. no. | WSBR.XC5XAX |
| Seal | Material | FKM, EPDM |
| | Configuration | Seal ring acc. to DIN 3869 |
| | Size | 29.7 x 35.7 x 2 mm |
| Welding dummy | Material | Brass |

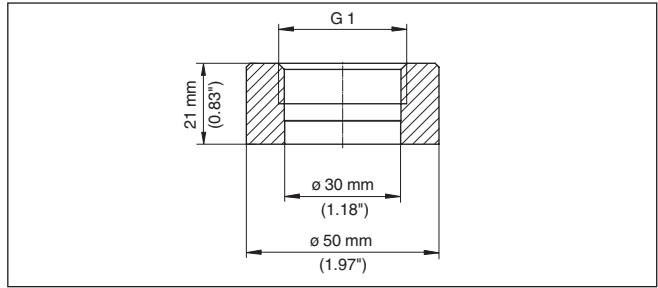


Fig. 7: Dimensions of welded socket, G1 (ISO 228-1)

Thread G1 - Cone seal

| Part | Feature | Characteristic |
|---------------|-----------------------|----------------|
| Welded socket | Size | G1 |
| | Standard | ISO 228-1 |
| | Material | 316L |
| | Product code/Art. no. | WSBR.XDHXXX |

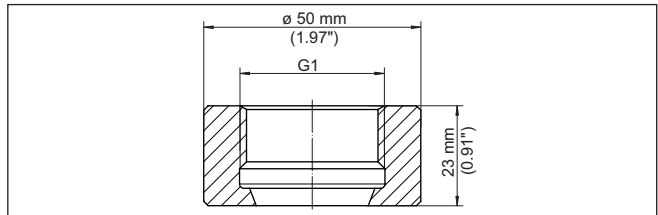


Fig. 8: Dimensions direct welded socket G1 (ISO 228-1) - Cone seal

Thread G1 - O-ring seal

| Part | Feature | Characteristic |
|---------------|-----------------------|----------------------------|
| Welded socket | Size | G1 |
| | Standard | ISO 228-1 |
| | Material | 316L |
| | Product code/Art. no. | WSBR.XLXXXX |
| Seal | Material | FKM, EPDM, FFKM |
| | Configuration | Seal ring acc. to DIN 3869 |
| | Size | 21.82 x 3.53 mm |
| Welding dummy | Material | Brass |

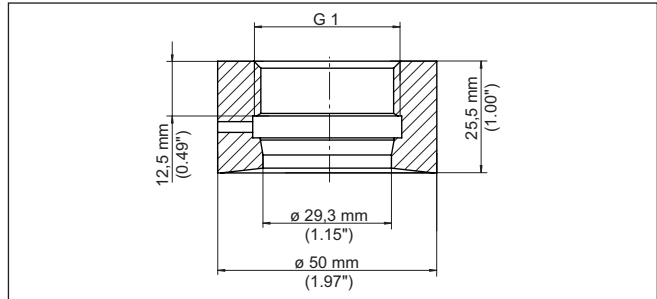


Fig. 9: Dimensions direct welded socket G1 (ISO 228-1) - O-ring seal

Thread G1½

| Part | Feature | Characteristic |
|---------------|-----------------------|-----------------|
| Welded socket | Size | G1½ |
| | Standard | DIN 3852-A |
| | Material | 316L |
| | Product code/Art. no. | WSBR.XDAX4X |
| Seal | Material | Klingsil C-4400 |
| | Configuration | Flat seal |
| | Size | 48 x 55 x 2 mm |
| Welding dummy | Material | Brass |

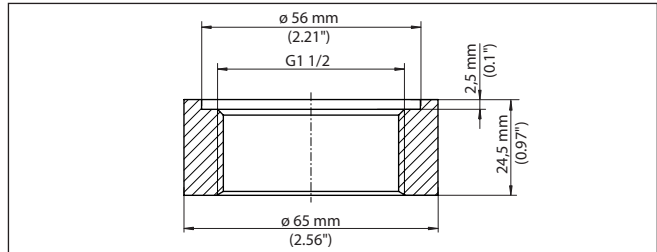


Fig. 10: Dimensions of welded socket, thread G1½ (DIN 3852-A)

M30 x 1.5

| Part | Feature | Characteristic |
|---------------|-----------------------|-----------------|
| Welded socket | Size | M30 x 1.5 |
| | Standard | DIN 13 |
| | Material | 316L |
| | Product code/Art. no. | WSBR.XALXXX |
| Seal | Material | FKM, EPDM, FFKM |
| | Configuration | Seal ring |
| | Size | 20.35 x 1.78 mm |

65827-EN-241127

| Part | Feature | Characteristic |
|---------------|----------|----------------|
| Welding dummy | Material | Brass |

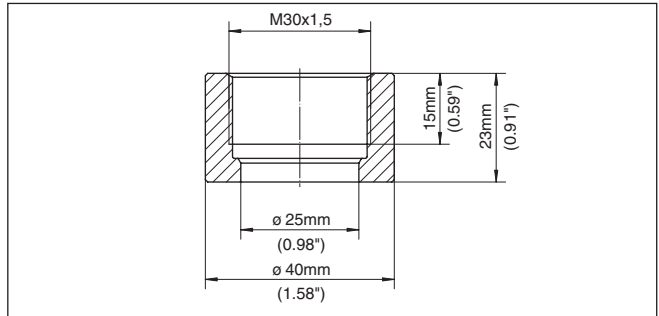


Fig. 11: Dimensions of welded socket, M30 x 1.5

2.2 Hygienic fittings

Clamp 1"

| Part | Feature | Characteristic |
|---------------|-----------------------|---------------------|
| Welded socket | Size | Clamp 1½" |
| | Standard | DIN 32676, ISO 2852 |
| | Pressure stage | PN 40 |
| | Product code/Art. no. | WSBR.XAVXXX |
| Seal | Material | FKM, EPDM |
| | Configuration | Clamp seal |

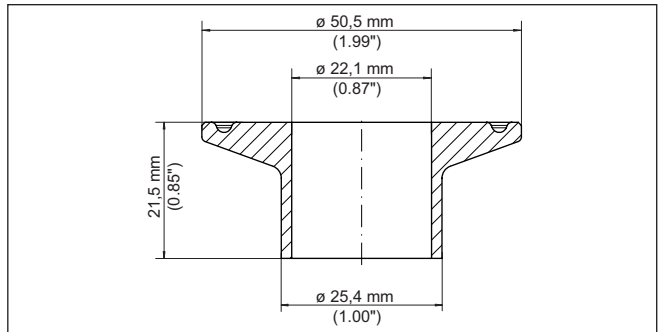


Fig. 12: Dimensions of welded socket, Clamp 1" (DIN 32676, ISO 2852)

Slotted nut DN 40

| Component | Feature | Characteristic |
|---------------|---------|----------------|
| Welded socket | Size | DN 40 |

| Component | Feature | Characteristic |
|-----------|-----------------------|----------------|
| | Standard | DIN 11851 |
| | Pressure stage | PN 40 |
| | Material | 316L |
| | Product code/Art. no. | WSBR.XEZXXX |
| Seal | Material | FKM, EPDM, NBR |
| | Configuration | Seal ring |

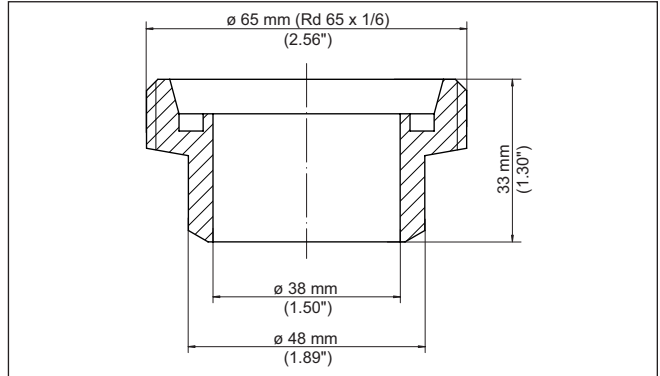


Fig. 13: Dimensions of welded socket, slotted nut DN 40 (DIN 11851)

3 Welded socket - VEGAPOINT series 10, 20, 30

3.1 Threaded fittings

Thread G $\frac{1}{2}$ - L = 15 mm

| Part | Feature | Characteristic |
|---------------|-----------------------|----------------------|
| Welded socket | Size | G $\frac{1}{2}$ |
| | Standard | DIN 3852-A |
| | Pressure stage | PN 25 |
| | Material | 316L |
| | Product code/Art. no. | WSPT.XABXXX |
| Seal | Material | Klingsil C-4400 |
| | Configuration | Flat seal |
| | Size | 21.5 x 25.7 x 1.5 mm |
| Welding dummy | Material | Brass |

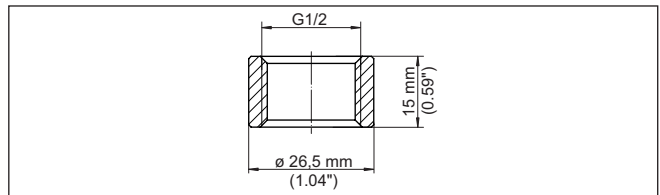


Fig. 14: Dimensions welded socket G1 (DIN 3852-A) - L = 15 mm

Thread G $\frac{1}{2}$ - Hygienic version

| Part | Feature | Characteristic |
|---------------|-----------------------|-----------------|
| Welded socket | Size | G $\frac{1}{2}$ |
| | Standard | ISO 228-1 |
| | Pressure stage | PN 25 |
| | Material | 316L |
| | Product code/Art. no. | WSPT.XACXXX |
| Welding dummy | Material | Brass |

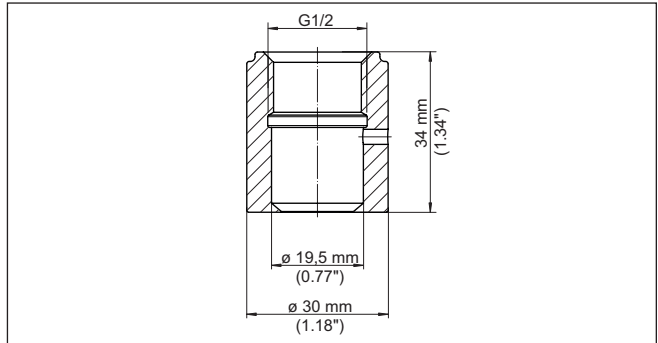


Fig. 15: Dimensions welded socket G $\frac{1}{2}$ (ISO 228-1) - Hygienic version

Thread G $\frac{3}{4}$ - L = 26 mm

| Part | Feature | Characteristic |
|---------------|-----------------------|-----------------|
| Welded socket | Size | G $\frac{3}{4}$ |
| | Standard | ISO 228-1 |
| | Pressure stage | PN 25 |
| | Material | 316L |
| | Product code/Art. no. | WSPT.XGBXXX |
| Seal | Material | FKM, EPDM |
| | Configuration | O-ring seal |
| | Size | 21 x 3 mm |
| Welding dummy | Material | Brass |

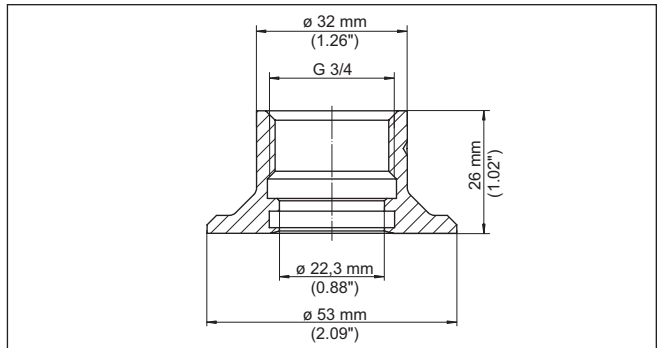


Fig. 16: Dimensions of welded socket, G $\frac{3}{4}$ (ISO 228-1)

Thread G1 - L = 20.5 mm

| Part | Feature | Characteristic |
|---------------|-----------------------|-----------------|
| Welded socket | Size | G1 |
| | Standard | DIN 3852-A |
| | Pressure stage | PN 25 |
| | Material | 316L |
| | Product code/Art. no. | WSPT.XAEXXX |
| Seal | Material | Klingsil C-4400 |
| | Configuration | Flat seal |
| | Size | 33 x 39 x 2 mm |
| Welding dummy | Material | Brass |

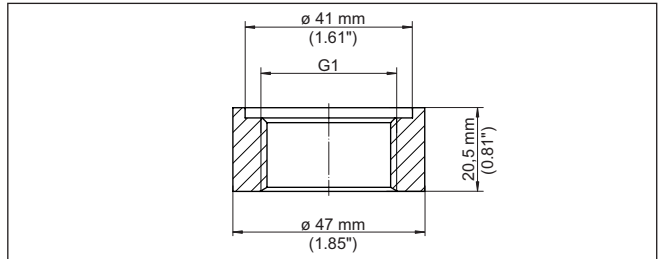


Fig. 17: Dimensions of welded socket, G1 (ISO 228)

Thread G1 - Cone seal

| Part | Feature | Characteristic |
|---------------|-----------------------|----------------|
| Welded socket | Size | G1 |
| | Standard | ISO 228-1 |
| | Pressure stage | PN 25 |
| | Material | 316L |
| | Product code/Art. no. | WSPT.XAMXXX |
| Welding dummy | Material | Brass |

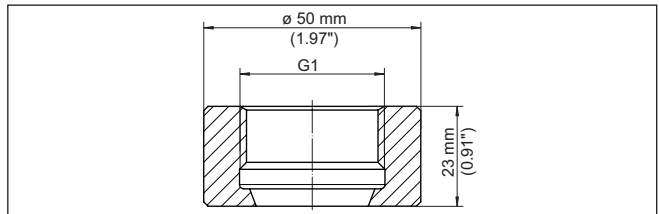


Fig. 18: Dimensions welded socket G1 (ISO 228-1) - Cone seal

Thread G1 - O-ring seal

| Part | Feature | Characteristic |
|---------------|-----------------------|-----------------|
| Welded socket | Size | G1 |
| | Standard | ISO 228-1 |
| | Pressure stage | PN 25 |
| | Material | 316L |
| | Product code/Art. no. | WSPT.XAFXXX |
| Seal | Material | EPDM |
| | Configuration | O-ring seal |
| | Size | 21.82 x 3.53 mm |
| Welding dummy | Material | Brass |

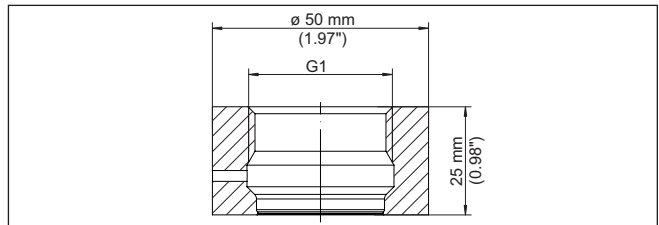


Fig. 19: Dimensions welded socket G1 (ISO 228-1) - O-ring seal

3.2 Threaded fittings for pipe mounting**Thread G1 for pipe mounting - Cone sealing**

| Part | Feature | Characteristic |
|---------------|-----------------------|----------------|
| Welded socket | Size | G1 |
| | Standard | ISO 228-1 |
| | Material | 316L |
| | Product code/Art. no. | WSPT.XAVXXX |

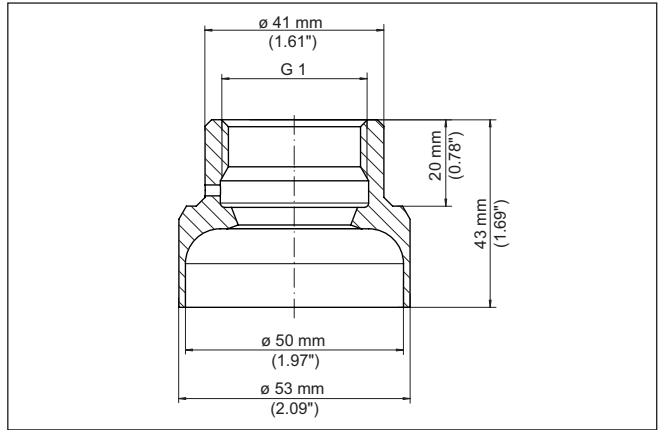


Fig. 20: Dimensions direct welded socket for pipe mounting G1 - Cone sealing

Thread G1 for pipe mounting - O-ring sealing

| Part | Feature | Characteristic |
|---------------|-----------------------|-----------------|
| Welded socket | Size | G1 |
| | Standard | ISO 228-1 |
| | Material | 316L |
| | Product code/Art. no. | WSPT.XAUXXX |
| Seal | Material | EPDM |
| | Configuration | O-ring seal |
| | Size | 21.82 x 3.53 mm |

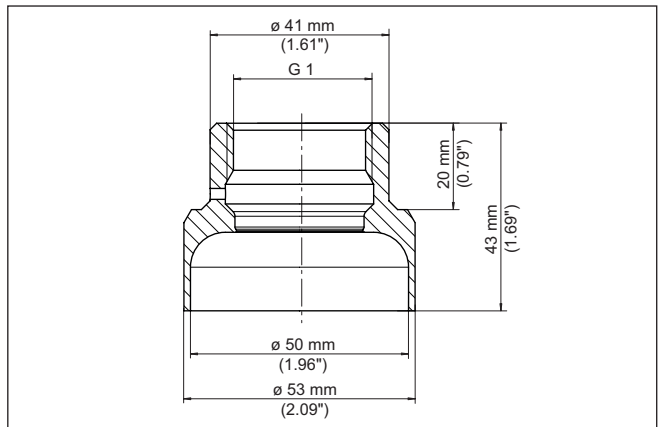


Fig. 21: Dimensions direct welded socket for pipe mounting G1 - O-ring sealing

3.3 Hygienic fittings

Clamp 1"

| Part | Feature | Characteristic |
|---------------|-----------------------|---------------------|
| Welded socket | Size | G1 |
| | Standard | DIN 32676, ISO 2852 |
| | Material | 316L |
| | Product code/Art. no. | WSPT.XANXXX |
| Seal | Material | FKM, EPDM |
| | Configuration | Clamp seal |

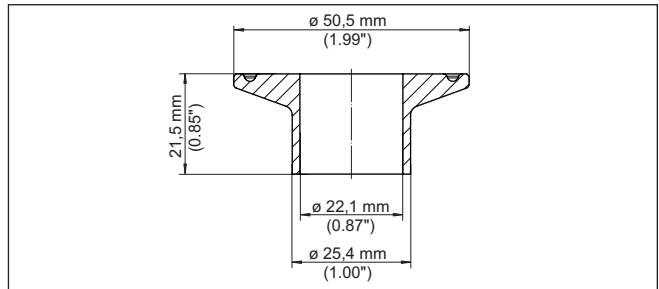


Fig. 22: Dimensions of welded socket, Clamp 1" (DIN 32676, ISO 2852)

4 Welded socket - VEGASWING series 50

4.1 Threaded fittings

Thread G $\frac{3}{4}$

| Part | Feature | Characteristic |
|---------------|-----------------------|-----------------------|
| Welded socket | Size | G $\frac{3}{4}$ |
| | Standard | DIN 3852-A, ISO 228-1 |
| | Pressure stage | PN 60 |
| | Material | 316L |
| | Product code/Art. no. | WSSG.XGBXXX |
| Seal | Material | FKM, EPDM |
| | Configuration | O-ring |
| | Size | 21 x 3 mm |

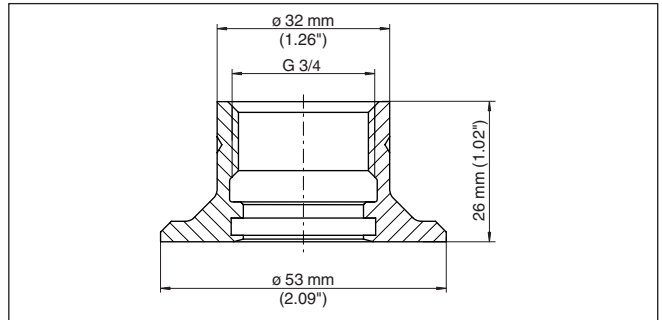


Fig. 23: Dimensions welded socket G $\frac{3}{4}$ (DIN 3852-A, ISO 228-1)

Thread G1

| Part | Feature | Characteristic |
|---------------|-----------------------|-----------------------|
| Welded socket | Size | G1 |
| | Standard | DIN 3852-A, ISO 228-1 |
| | Pressure stage | PN 60 |
| | Material | 316L |
| | Product code/Art. no. | WSSG.XGAXXX |
| Seal | Material | FKM, EPDM |
| | Configuration | O-ring |
| | Size | 21 x 3 mm |

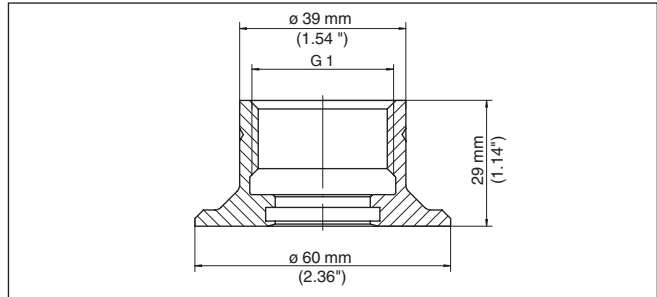


Fig. 24: Dimensions welded socket G1 (DIN 3852-A, ISO 228-1)

Thread G1 with leakage hole

| Part | Feature | Characteristic |
|---------------|-----------------------|-----------------------|
| Welded socket | Size | G1 |
| | Standard | DIN 3852-A, ISO 228-1 |
| | Pressure stage | PN 60 |
| | Material | 316L |
| | Product code/Art. no. | WSSG.XGLXXX |
| Seal | Material | FKM, EPDM |
| | Configuration | O-ring |
| | Size | 21.82 x 3.53 mm |

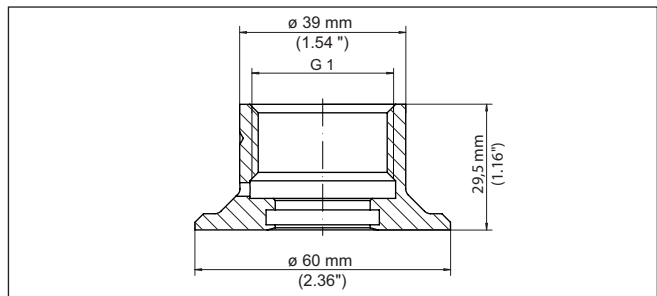


Fig. 25: Dimensions welded socket G1 (DIN 3852-A, ISO 228-1) with leakage hole

Thread G1 - Cone seal

| Part | Feature | Characteristic |
|---------------|-----------------------|----------------|
| Welded socket | Size | G1 |
| | Standard | ISO 228-1 |
| | Material | 316L |
| | Product code/Art. no. | WSSG.XAMXXX |

65827-EN-241127

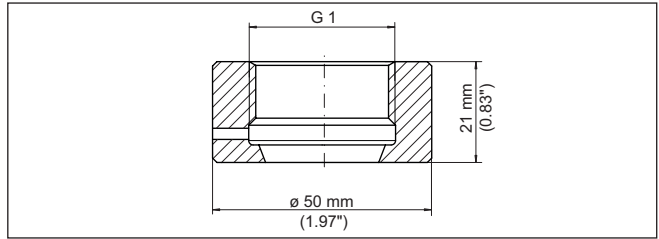


Fig. 26: Dimensions direct welded socket G1 (ISO 228-1) - Cone seal

Thread G1 - O-ring seal

| Part | Feature | Characteristic |
|---------------|-----------------------|----------------|
| Welded socket | Size | G1 |
| | Standard | ISO 228-1 |
| | Material | 316L |
| | Product code/Art. no. | WSSG.XAFXXX |

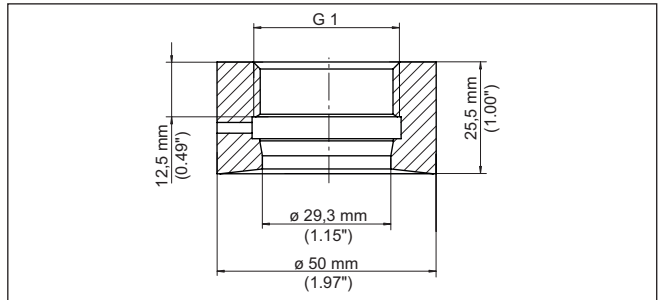


Fig. 27: Dimensions direct welded socket G1 (ISO 228-1) - O-ring seal

Thread G1 for pipe mounting - Cone sealing

| Part | Feature | Characteristic |
|---------------|-----------------------|----------------|
| Welded socket | Size | G1 |
| | Standard | ISO 228-1 |
| | Material | 316L |
| | Product code/Art. no. | WSSG.XAVXXX |

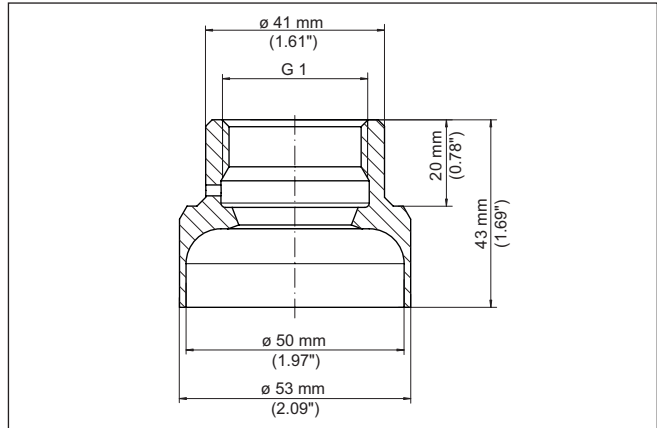


Fig. 28: Dimensions direct welded socket for pipe mounting G1 (ISO 228-1) - Cone sealing

Thread G1 for pipe mounting - O-ring sealing

| Part | Feature | Characteristic |
|---------------|-----------------------|-----------------|
| Welded socket | Size | G1 |
| | Standard | ISO 228-1 |
| | Material | 316L |
| | Product code/Art. no. | WSSG.XAUXXX |
| Seal | Material | EPDM |
| | Configuration | O-ring seal |
| | Size | 21.82 x 3.53 mm |

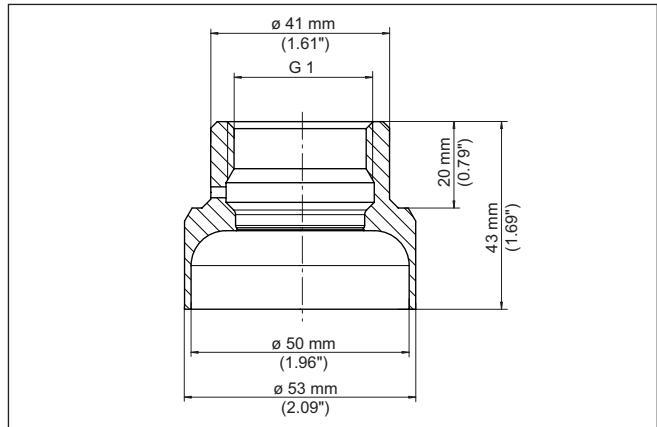


Fig. 29: Dimensions direct welded socket for pipe mounting G1 (ISO 228-1) - O-ring sealing

4.2 Hygienic fittings

Clamp 1"

| Part | Feature | Characteristic |
|---------------|-----------------------|---------------------|
| Welded socket | Size | Clamp 1" |
| | Standard | DIN 32676, ISO 2852 |
| | Pressure stage | PN 25 |
| | Product code/Art. no. | WSSG.XCLXXX |
| Seal | Material | FKM, EPDM |
| | Configuration | Clamp seal |

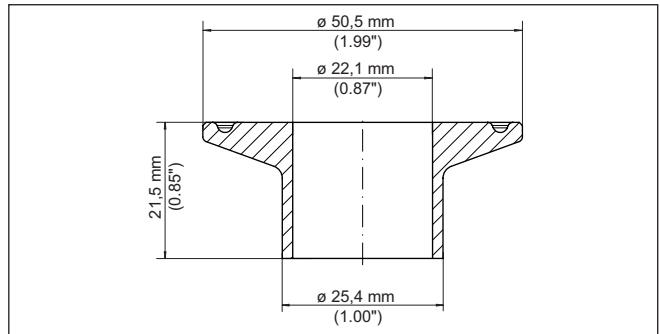


Fig. 30: Dimensions of welded socket, Clamp 1" (DIN 32676, ISO 2852)

5 Threaded adapter - VEGAPULS 10, 20, 30 series

5.1 Adapter

Thread G1½ on thread G2

| Part | Feature | Characteristic |
|--------------------|-----------------------|----------------------------------|
| Adapter | Size, sensor side | G1½ |
| | Size, process side | G2 |
| | Standard | DIN 3852-X |
| | Material | PP GF-30 |
| | Pressure stage | 3 bar |
| | Process temperature | -40 ... +80 °C (-40 ... +176 °F) |
| | Max. torque | 7 Nm (5.163 lbf ft) |
| | Product code/Art. no. | GEWADA-G.G |
| Seal, sensor side | Material | EPDM |
| | Configuration | O-ring seal |
| | Size | 37.82 x 1.78 mm |
| Seal, process side | Material | FPM |
| | Configuration | Profile seal |
| | Size | ø 66.5 x 56.5 x 4 mm |

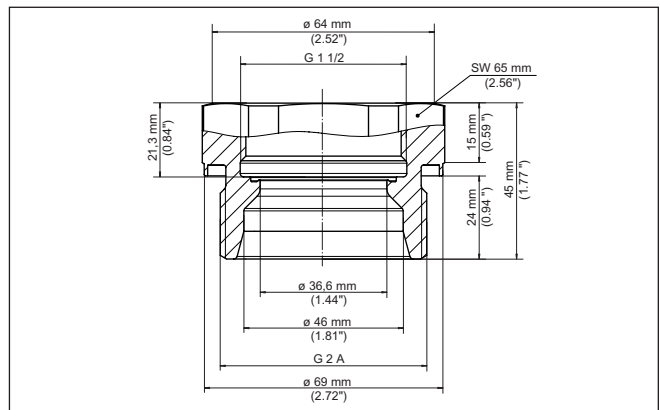


Fig. 31: Dimensions of threaded adapter G1½ (DIN 3852-X) on thread G2 (DIN 3852-X)

**Thread 1½ NPT on thread
2 NPT**

| Part | Feature | Characteristic |
|-------------------|-----------------------|----------------------------------|
| Adapter | Size, sensor side | 1½ NPT |
| | Size, process side | 2 NPT |
| | Material | PP GF-30 |
| | Pressure stage | 3 bar |
| | Process temperature | -40 ... +80 °C (-40 ... +176 °F) |
| | Max. torque | 7 Nm (5.163 lbf ft) |
| | Product code/Art. no. | GEWADA-G.N |
| Seal, sensor side | Material | EPDM |
| | Configuration | O-ring seal |
| | Size | 37.82 x 1.78 mm |

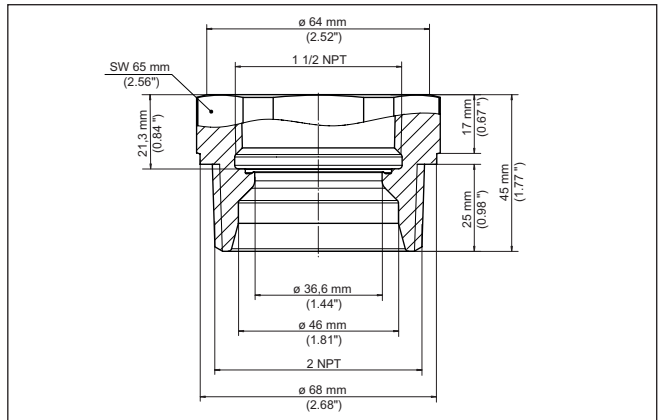


Fig. 32: Dimensions, threaded adapter 1½"NPT on thread 2"NPT

6 Threaded adapter - VEGAPOINT 10, 20, 30 series

6.1 Adapter

Thread G $\frac{1}{2}$ - Thread G1 $\frac{1}{2}$

| Part | Feature | Characteristic |
|---------|-----------------------|--------------------|
| Adapter | Size, sensor side | G $\frac{1}{2}$ |
| | Size, process side | G1 $\frac{1}{2}$ |
| | Standard | DIN 3852-A |
| | Material | 1.4404 |
| | Pressure stage | PN 25 |
| | Product code/Art. no. | 2.64723 |
| Seal | Material | Klingsil C-4400 |
| | Configuration | Flat seal |
| | Size | ø 68 x 59 x 2.5 mm |

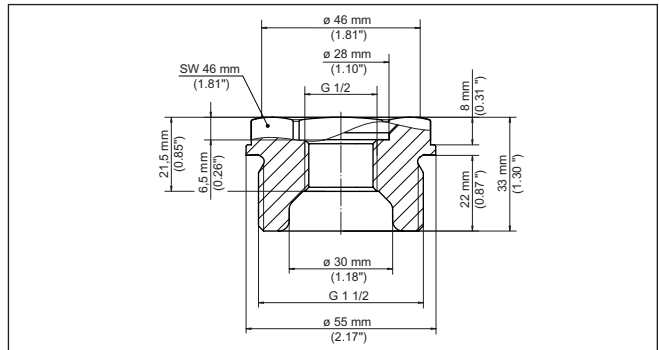


Fig. 33: Dimensions of threaded adapter G $\frac{1}{2}$ (DIN 3852-A) on thread G1 $\frac{1}{2}$ (DIN 3852-A)

7 Hygienic adapter - VEGAPULS 10, 20, 30 series

7.1 Technical data, sealing concept

Common technical data

| Part | Feature | Characteristic |
|------------------|---------------------|---------------------|
| Hygienic adapter | Material | 1.4435 |
| | Surface | Ra ≤ 0.76 µm |
| | Hygiene certificate | FDA, EG 1935/2004 |
| Max. torque | | 7 Nm (5.163 lbf ft) |

Seal concept

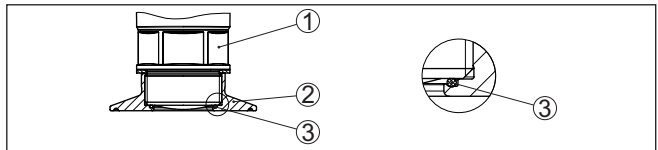


Fig. 34: Seal concept

- 1 Sensor
- 2 Hygienic adapter
- 3 Seal

7.2 Clamp according to DIN 32676, ISO 2852

G1½ - Clamp 2"

| Part | Feature | Characteristic |
|------------------|-----------------------|--------------------------------|
| Hygienic adapter | Size, sensor side | G1½ |
| | Standard | DIN 3852-X |
| | Size, process side | Clamp 2" |
| | Standard | DIN 32676, ISO 2852 |
| | Pressure stage | PN 40 |
| | Product code/Art. no. | HYGADAPT-R.XC1 |
| Seal | Material EPDM | -40 ... +80 °C/-40 ... +176 °F |
| | Configuration | O-ring seal |
| | Size | 37.82 x 1.78 mm |

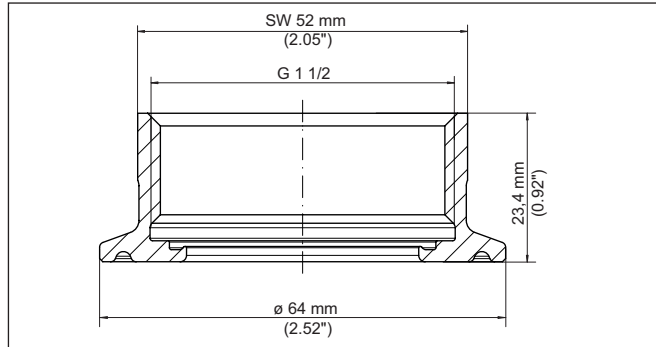


Fig. 35: Dimensions of hygienic adapter G $\frac{1}{2}$ (DIN 3852-X) on Clamp 2" (DIN 32676, ISO 2852) PN 40

7.3 Slotted nut acc. to DIN 11851

G1½ - Slotted nut DN 50

| Part | Feature | Characteristic |
|------------------|-----------------------|--------------------------------|
| Hygienic adapter | Size, sensor side | G $\frac{1}{2}$ |
| | Standard | DIN 3852-X |
| | Size, process side | DN 50 |
| | Standard | DIN 11851 |
| | Pressure stage | PN 40 |
| | Product code/Art. no. | HYGADAPT-R.XB1 |
| Seal | Material EPDM | -40 ... +80 °C/-40 ... +176 °F |
| | Configuration | O-ring seal |
| | Size | 37.82 x 1.78 mm |

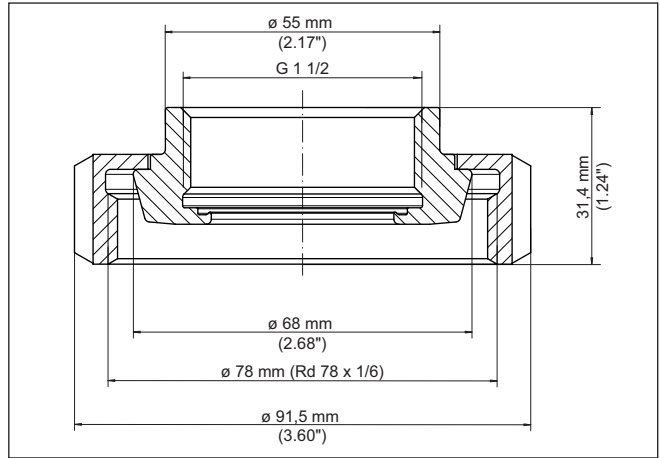


Fig. 36: Dimensions of hygienic adapter G $\frac{1}{2}$ (DIN 3852-X) on slotted nut DN 50 (DIN 11851) PN 40

8 Hygienic adapter - VEGABAR 20, 30 series, VEGAPOINT 10, 20, 30 series, VEGAPULS 42

8.1 Technical data, sealing concept

Common technical data

| | Feature | Characteristic |
|------------------|---------------------|-----------------------|
| Hygienic adapter | Material | 1.4435 |
| | Surface | Ra ≤ 0.76 µm |
| | Hygiene certificate | FDA, EG 1935/2004 |
| Max. torque | Cone seal | 100 Nm (73.76 lbf ft) |
| | O-ring seal | 50 Nm (36.88 lbf ft) |

Sealing concept metal/metal

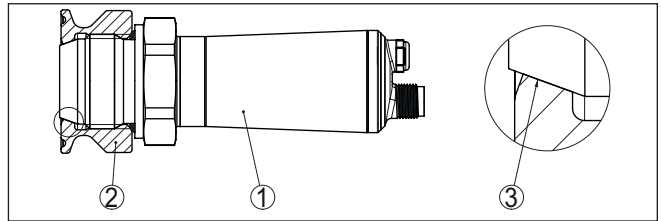


Fig. 37: Cone seal G1 VEGABAR metal/metal

- 1 Sensor
- 2 Hygienic adapter
- 3 Seal metal/metal

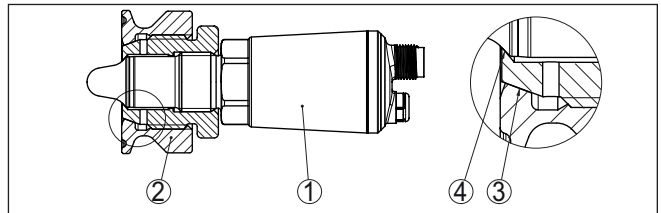


Fig. 38: Cone seal G1 VEGAPOINT plastic/metal plus metal/metal

- 1 Sensor
- 2 Hygienic adapter
- 3 Seal plastic/metal
- 4 Seal metal/metal

Sealing concept O-ring

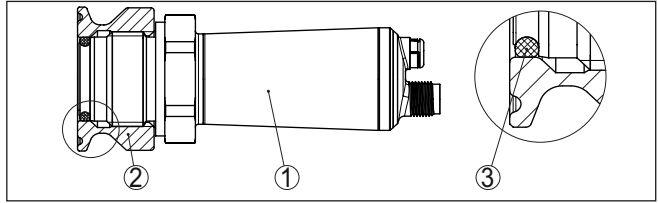


Fig. 39: O-ring seal G1 VEGABAR

- 1 Sensor
- 2 Hygienic adapter
- 3 O-ring seal

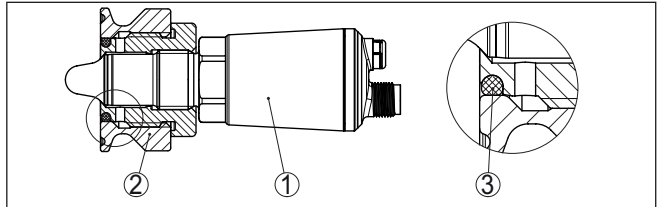


Fig. 40: O-ring seal G1 VEGAPOINT

- 1 Sensor
- 2 Hygienic adapter
- 3 O-ring seal

8.2 Direct welded socket

Thread G1 - Cone seal

| Part | Feature | Characteristic |
|---------------|-----------------------|----------------|
| Welded socket | Size | G1 B |
| | Standard | ISO 228-1 |
| | Product code/Art. no. | HYGADAPT-C.X7F |

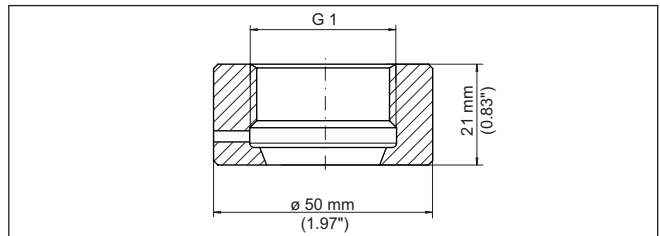


Fig. 41: Dimensions direct welded socket G1 - Cone seal

Thread G1 for pipe mounting - Cone sealing

| Part | Feature | Characteristic |
|---------------|-----------------------|----------------|
| Welded socket | Size | G1 B |
| | Standard | ISO 228-1 |
| | Product code/Art. no. | HYGADAPT-C.X7G |

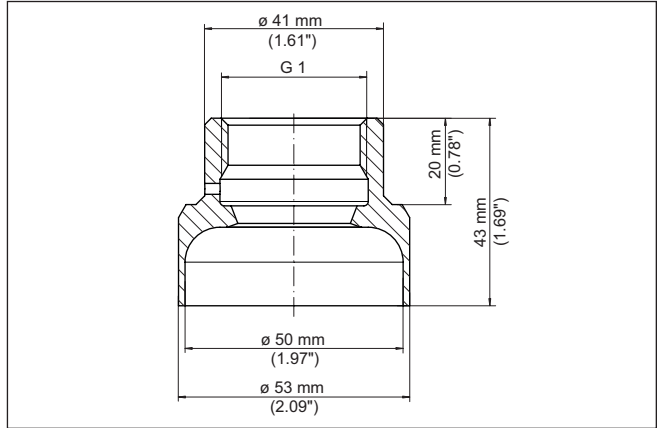


Fig. 42: Dimensions direct welded socket for pipe mounting G1 - Cone sealing

Thread G1 - O-ring seal

| Part | Feature | Characteristic |
|---------------|-----------------------|----------------|
| Welded socket | Size | G1 B |
| | Standard | ISO 228-1 |
| | Product code/Art. no. | HYGADAPT-L.X7F |

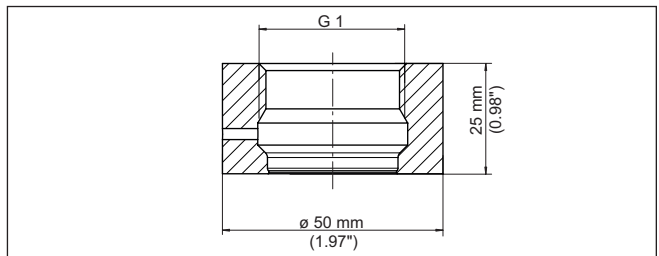


Fig. 43: Dimensions direct welded socket G1 - Cone seal

8.3 Clamp according to DIN 32676, ISO 2852

G1 - Clamp 1½" - Cone seal

| Part | Feature | Characteristic |
|------------------|-----------------------|---------------------|
| Hygienic adapter | Size, sensor side | G1 |
| | Standard | ISO 228-1 |
| | Size, process side | Clamp 1½" |
| | Standard | DIN 32676, ISO 2852 |
| | Pressure stage | PN 40 |
| | Product code/Art. no. | HYGADAPT-C.XAT |

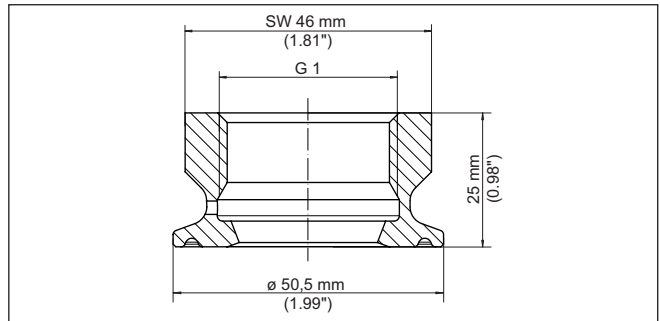


Fig. 44: Dimensions hygienic adapter G1 (DIN 3852-X) on Clamp 1½" (DIN 32676, ISO 2852) PN 40 - Cone seal

G1 - Clamp 2" - Cone seal

| Part | Feature | Characteristic |
|------------------|-----------------------|---------------------|
| Hygienic adapter | Size, sensor side | G1 |
| | Standard | ISO 228-1 |
| | Size, process side | Clamp 2" |
| | Standard | DIN 32676, ISO 2852 |
| | Pressure stage | PN 40 |
| | Product code/Art. no. | HYGADAPT-C.XAR |

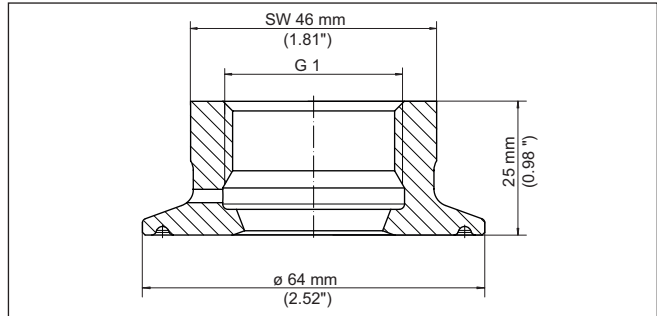


Fig. 45: Dimensions hygienic adapter G1 (DIN 3852-X) on Clamp 2" (DIN 32676, ISO 2852) PN 40 - Cone seal

**Thread G1 - Clamp
DN 15-20 - O-ring seal**

| Part | Feature | Characteristic |
|------------------|---------------------------------|---------------------|
| Hygienic adapter | Size, sensor side | G1 |
| | Standard | ISO 228-1 |
| | Size, process side | Clamp DN 15-20 |
| | Standard | DIN 32676, ISO 2852 |
| | Pressure stage | PN 40 |
| | Additional hygienic certificate | EHEDG, 3A |
| | Product code/Art. no. | HYGADAPT-L.XAZ |

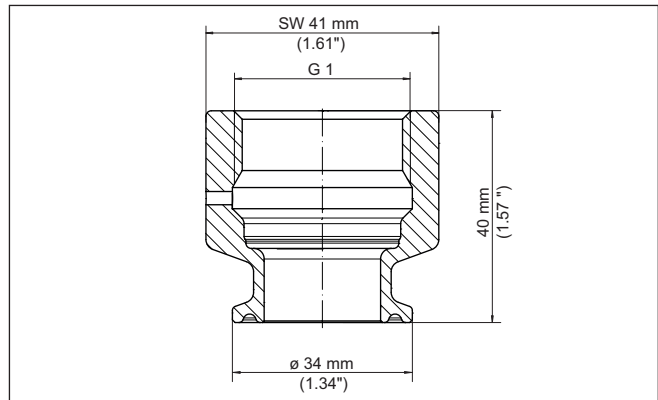


Fig. 46: Dimensions hygienic adapter G1 (DIN 3852-X) on Clamp DN 15-20 (DIN 32676, ISO 2852) PN 40 - O-ring seal

Thread G1 - Clamp 1½" - O-ring seal

| Part | Feature | Characteristic |
|------------------|---------------------------------|---------------------|
| Hygienic adapter | Size, sensor side | G1 |
| | Standard | ISO 228-1 |
| | Size, process side | Clamp 1½" |
| | Standard | DIN 32676, ISO 2852 |
| | Pressure stage | PN 40 |
| | Additional hygienic certificate | EHEDG, 3A |
| | Product code/Art. no. | HYGADAPT-L.XAT |

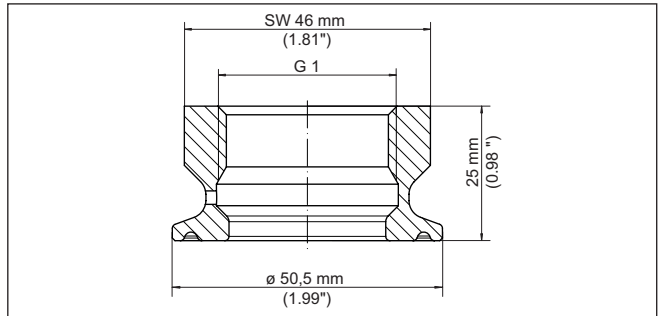


Fig. 47: Dimensions hygienic adapter G1 (DIN 3852-X) on Clamp 1½" (DIN 32676, ISO 2852) PN 40 - O-ring seal

Thread G1 - Clamp 2" - O-ring seal

| Part | Feature | Characteristic |
|------------------|---------------------------------|---------------------|
| Hygienic adapter | Size, sensor side | G1 |
| | Standard | ISO 228-1 |
| | Size, process side | Clamp 2" |
| | Standard | DIN 32676, ISO 2852 |
| | Pressure stage | PN 40 |
| | Additional hygienic certificate | EHEDG, 3A |
| | Product code/Art. no. | HYGADAPT-L.XAR |

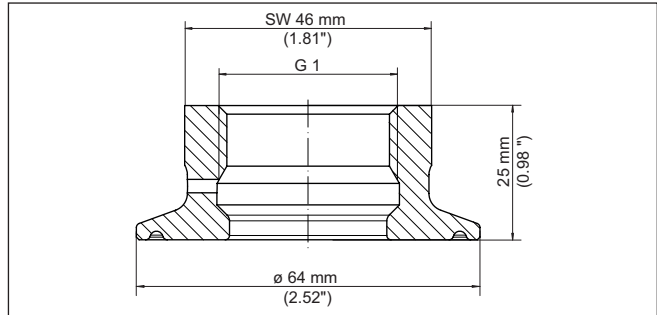


Fig. 48: Dimensions hygienic adapter G1 (DIN 3852-X) on Clamp 2" (DIN 32676, ISO 2852) PN 40 - O-ring seal

8.4 Slotted nut acc. to DIN 11851

Thread G1 - Slotted nut DN 40 - Cone seal

| Part | Feature | Characteristic |
|------------------|-----------------------|----------------|
| Hygienic adapter | Size, sensor side | G1 |
| | Standard | ISO 228-1 |
| | Size, process side | DN 40 |
| | Standard | DIN 11851 |
| | Pressure stage | PN 40 |
| | Product code/Art. no. | HYGADAPT-C.XEZ |

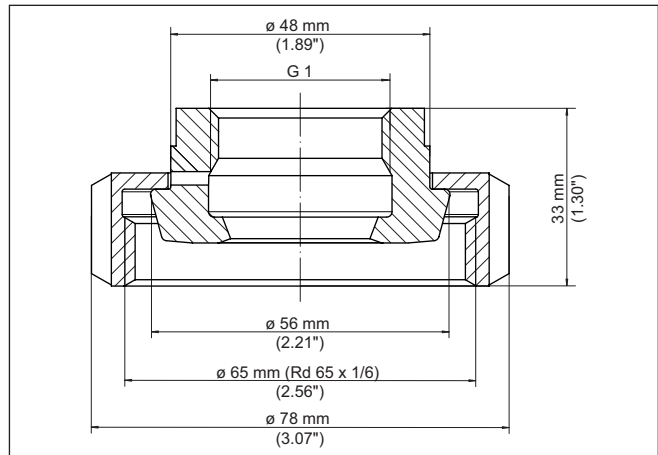


Fig. 49: Dimensions hygienic adapter G1 (DIN 3852-X) on slotted nut DN 40 (DIN 11851) PN 40 - Cone seal

**Thread G1 - Slotted nut
DN 50 - Cone seal**

| Part | Feature | Characteristic |
|------------------|-----------------------|----------------|
| Hygienic adapter | Size, sensor side | G1 |
| | Standard | ISO 228-1 |
| | Size, process side | DN 50 |
| | Standard | DIN 11851 |
| | Pressure stage | PN 25 |
| | Product code/Art. no. | HYGADAPT-C.XNB |

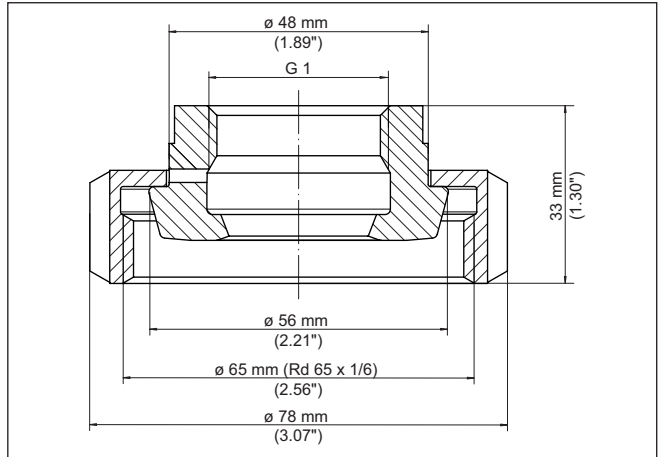


Fig. 50: Dimensions hygienic adapter G1 (DIN 3852-X) on slotted nut DN 40 (DIN 11851) PN 40 - Cone seal

**Thread G1 - Slotted nut
DN 40 - O-ring seal**

| Part | Feature | Characteristic |
|------------------|---------------------------------|----------------|
| Hygienic adapter | Size, sensor side | G1 |
| | Standard | ISO 228-1 |
| | Size, process side | DN 40 |
| | Standard | DIN 11851 |
| | Pressure stage | PN 40 |
| | Additional hygienic certificate | EHEDG, 3A |
| | Product code/Art. no. | HYGADAPT-L.XEZ |

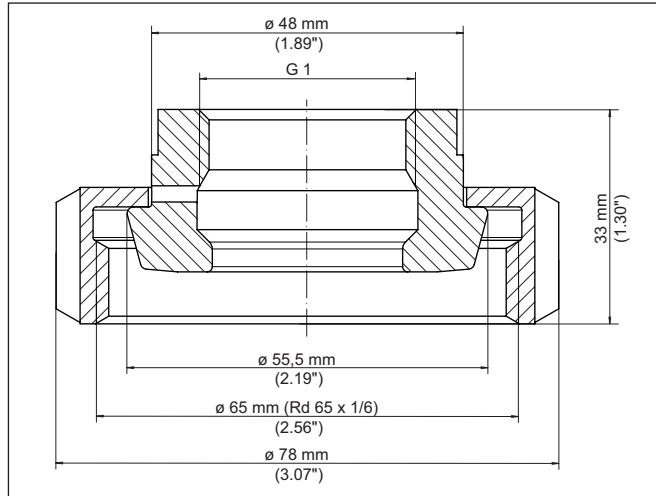


Fig. 51: Dimensions hygienic adapter G1 (DIN 3852-X) on slotted nut DN 40 (DIN 11851) PN 40 - O-ring seal

**Thread G1 - Slotted nut
DN 50 - O-ring seal**

| Part | Feature | Characteristic |
|------------------|---------------------------------|----------------|
| Hygienic adapter | Size, sensor side | G1 |
| | Standard | ISO 228-1 |
| | Size, process side | DN 50 |
| | Standard | DIN 11851 |
| | Pressure stage | PN 25 |
| | Additional hygienic certificate | EHEDG, 3A |
| | Product code/Art. no. | HYGADAPT-L.XNB |

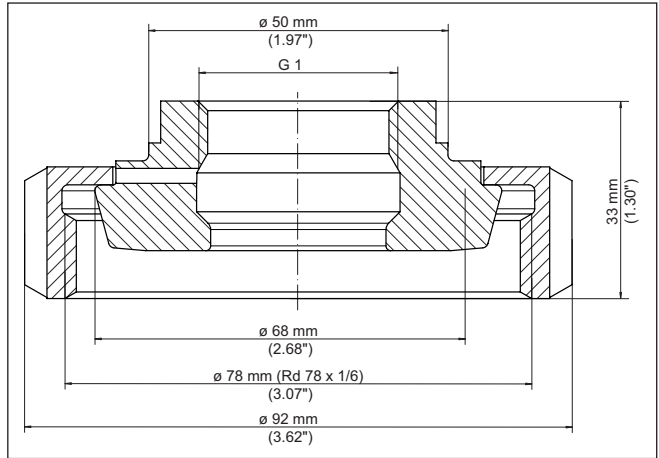


Fig. 52: Dimensions hygienic adapter G1 (DIN 3852-X) on slotted nut DN 50 (DIN 11851) PN 40 - O-ring

8.5 Slotted nut acc. to DIN 11864-1

Thread G1 - Slotted nut DN 40 - Cone seal

| Part | Feature | Characteristic |
|------------------|-----------------------|----------------|
| Hygienic adapter | Size, sensor side | G1 |
| | Standard | ISO 228-1 |
| | Size, process side | DN 40 |
| | Standard | DIN 11864-1 |
| | Pressure stage | PN 40 |
| | Product code/Art. no. | HYGADAPT-C.XE2 |

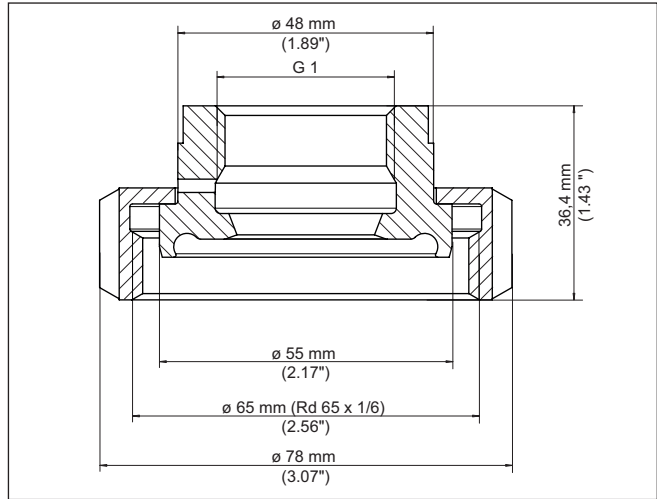


Fig. 53: Dimensions hygienic adapter G $\frac{3}{4}$ (DIN 3852-X) on slotted nut DN 40 (DIN 11864-1) PN 16 - Cone seal

**Thread G1 - Slotted nut
DN 50 - Cone seal**

| Part | Feature | Characteristic |
|------------------|-----------------------|----------------|
| Hygienic adapter | Size, sensor side | G1 |
| | Standard | ISO 228-1 |
| | Size, process side | DN 50 |
| | Standard | DIN 11864-1 |
| | Pressure stage | PN 25 |
| | Product code/Art. no. | HYGADAPT-C.XE3 |

Dimensions:

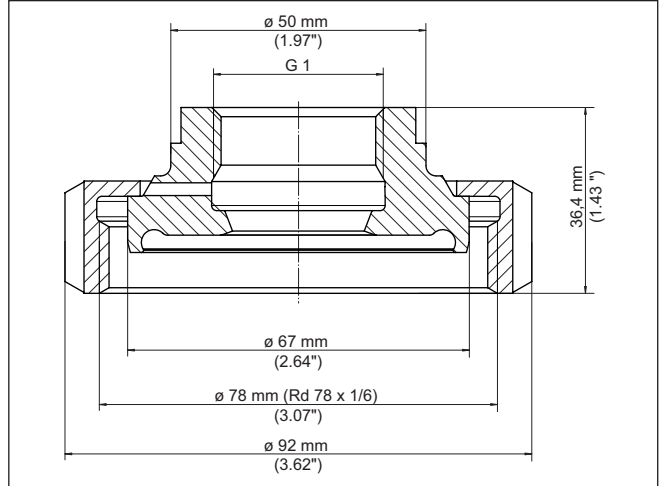


Fig. 54: Dimensions hygienic adapter G³/₄ (DIN 3852-X) on slotted nut DN 50 (DIN 11864-1) PN 25 - Cone seal

**Thread G1 - Slotted nut
DN 40 - O-ring seal**

| Part | Feature | Characteristic |
|------------------|---------------------------------|----------------|
| Hygienic adapter | Size, sensor side | G1 |
| | Standard | ISO 228-1 |
| | Size, process side | DN 40 |
| | Standard | DIN 11864-1 |
| | Pressure stage | PN 40 |
| | Additional hygienic certificate | EHEDG, 3A |
| | Product code/Art. no. | HYGADAPT-L.XE2 |

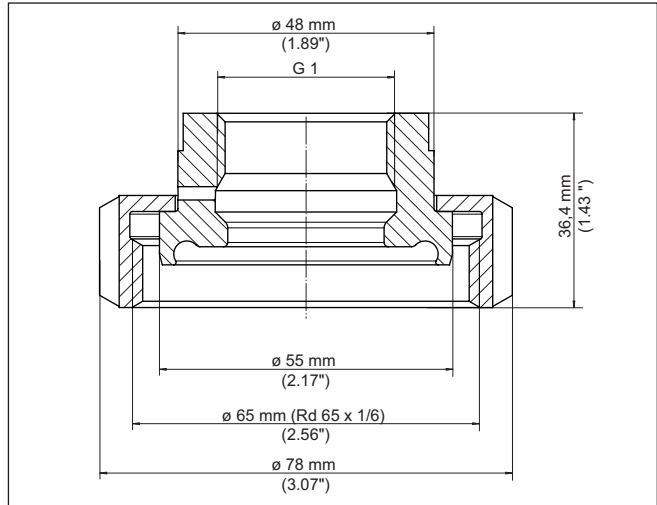


Fig. 55: Dimensions hygienic adapter G $\frac{3}{4}$ (DIN 3852-X) on slotted nut DN 40 (DIN 11864-1) PN 40 - O-ring seal

**Thread G1 - Slotted nut
DN 50 - O-ring seal**

| Part | Feature | Characteristic |
|------------------|---------------------------------|----------------|
| Hygienic adapter | Size, sensor side | G1 |
| | Standard | ISO 228-1 |
| | Size, process side | DN 50 |
| | Standard | DIN 11864-1 |
| | Pressure stage | PN 25 |
| | Additional hygienic certificate | EHEDG, 3A |
| | Product code/Art. no. | HYGADAPT-L.XE3 |

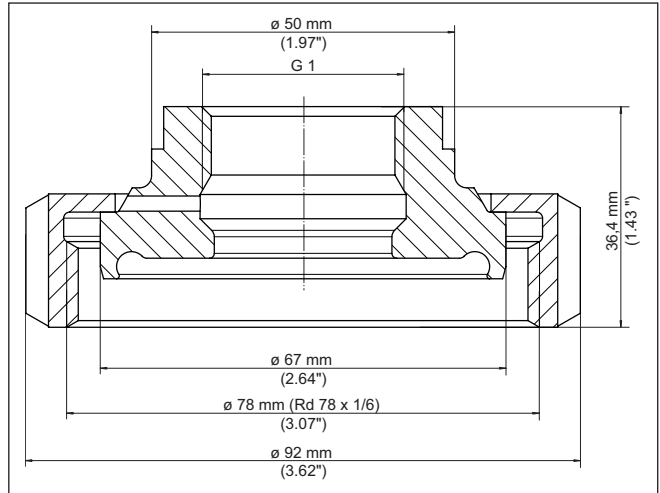


Fig. 56: Dimensions hygienic adapter G $\frac{3}{4}$ (DIN 3852-X) on slotted nut DN 50 (DIN 11864-1) PN 25 - O-ring seal

8.6 Slotted nut acc. to DIN 11864-2

**Thread G1 - Slotted nut
DN 40 - O-ring seal**

| Part | Feature | Characteristic |
|------------------|---------------------------------|----------------|
| Hygienic adapter | Size, sensor side | G1 |
| | Standard | ISO 228-1 |
| | Size, process side | DN 40 |
| | Standard | DIN 11864-2 |
| | Additional hygienic certificate | EHEDG, 3A |
| | Product code/Art. no. | HYGADAPT-L.XAD |

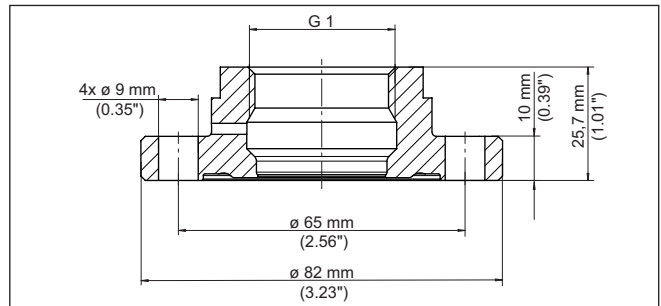


Fig. 57: Dimensions hygienic adapter G $\frac{3}{4}$ (DIN 3852-X) on slotted nut DN 40 (DIN 11864-2) PN 40 - O-ring seal

**Thread G1 - Slotted nut
DN 50 - O-ring seal**

| Part | Feature | Characteristic |
|------------------|---------------------------------|----------------|
| Hygienic adapter | Size, sensor side | G1 |
| | Standard | ISO 228-1 |
| | Size, process side | DN 50 |
| | Standard | DIN 11864-2 |
| | Additional hygienic certificate | EHEDG, 3A |
| | Product code/Art. no. | HYGADAPT-L.XAC |

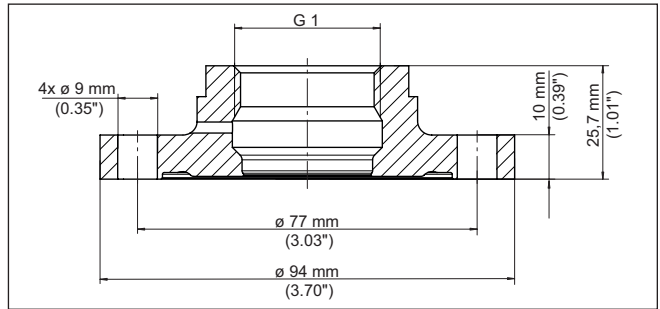


Fig. 58: Dimensions hygienic adapter G³/₄ (DIN 3852-X) on slotted nut DN 50 (DIN 11864-2) PN 25 - O-ring seal

8.7 Slotted nut acc. to DIN 11864-3

**Thread G1 - Slotted nut
DN 40 - O-ring seal**

| Part | Feature | Characteristic |
|------------------|---------------------------------|----------------|
| Hygienic adapter | Size, sensor side | G1 |
| | Standard | ISO 228-1 |
| | Size, process side | DN 40 |
| | Standard | DIN 11864-3 |
| | Additional hygienic certificate | EHEDG, 3A |
| | Product code/Art. no. | HYGADAPT-L.XQ6 |

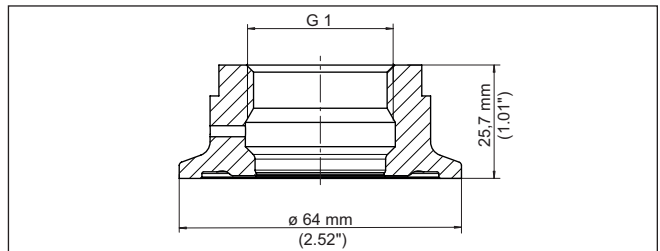


Fig. 59: Dimensions hygienic adapter G³/₄ (DIN 3852-X) on slotted nut DN 40 (DIN 11864-3) PN 40 - O-ring seal

**Thread G1 - Slotted nut
DN 50 - O-ring seal**

| Part | Feature | Characteristic |
|------------------|---------------------------------|----------------|
| Hygienic adapter | Size, sensor side | G1 |
| | Standard | ISO 228-1 |
| | Size, process side | DN 50 |
| | Standard | DIN 11864-3 |
| | Additional hygienic certificate | EHEDG, 3A |
| | Product code/Art. no. | HYGADAPT-L.XKW |

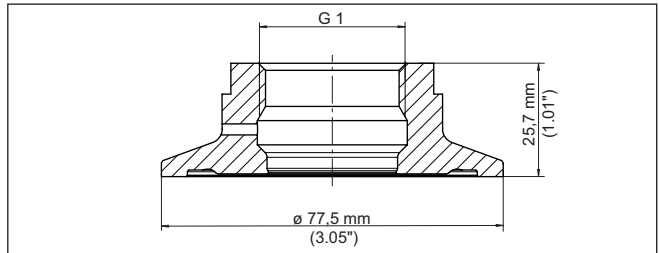


Fig. 60: Dimensions hygienic adapter G $\frac{3}{4}$ (DIN 3852-X) on slotted nut DN 50 (DIN 11864-3) PN 25 - O-ring seal

8.8 Further hygienic fittings

**Thread G1 - Varivent
Form F DN 25 - Cone seal**

| Part | Feature | Characteristic |
|------------------|-----------------------|------------------------|
| Hygienic adapter | Size, sensor side | G1 |
| | Standard | ISO 228-1 |
| | Size, process side | DN 32 |
| | Standard | Varivent |
| | Pressure stage | PN 25 |
| | Material | 1.4435 |
| | Surface | Ra \leq 0.76 μ m |
| | Product code/Art. no. | HYGADAPT-C.XFS |

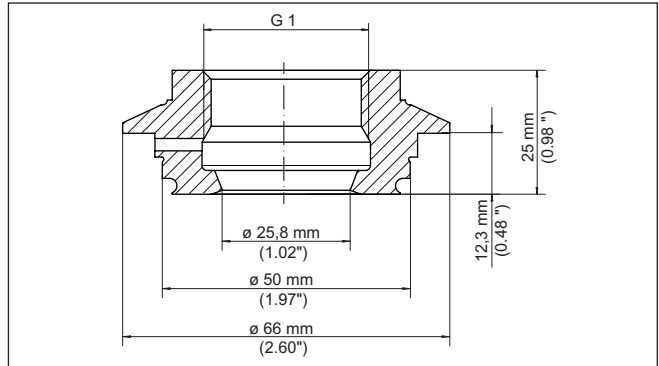


Fig. 61: Dimensions hygienic adapter G1 (DIN 3852-X) on Varivent Form F DN 25 - Cone seal

**Thread G1 - Varivent
Form N DN 40 ... DN 100 -
Cone seal**

| Part | Feature | Characteristic |
|------------------|-----------------------|----------------|
| Hygienic adapter | Size, sensor side | G1 |
| | Standard | ISO 228-1 |
| | Size, process side | DN 40 |
| | Standard | Varivent |
| | Pressure stage | PN 25 |
| | Material | 1.4435 |
| | Surface | Ra ≤ 0.76 µm |
| | Product code/Art. no. | HYGADAPT-C.XFR |

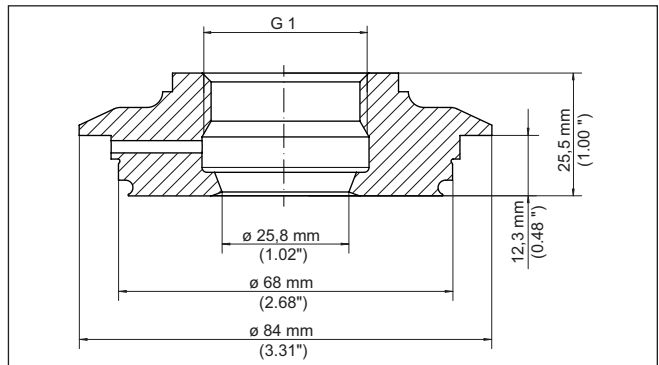


Fig. 62: Dimensions hygienic adapter G1 (DIN 3852-X) on Varivent Form N DN 40 ... DN 100 - Cone seal

**Thread G1 - Varivent
Form F DN 25 - O-ring
seal**

| Part | Feature | Characteristic |
|-----------------------|---------------------------------|----------------|
| Hygienic adapter | Size, sensor side | G1 |
| | Standard | ISO 228-1 |
| | Size, process side | DN 25 |
| | Standard | Varivent |
| | Pressure stage | PN 25 |
| | Material | 1.4435 |
| | Surface | Ra ≤ 0.76 µm |
| | Additional hygienic certificate | EHEDG, 3A |
| Product code/Art. no. | HYGADAPT-L.XFS | |

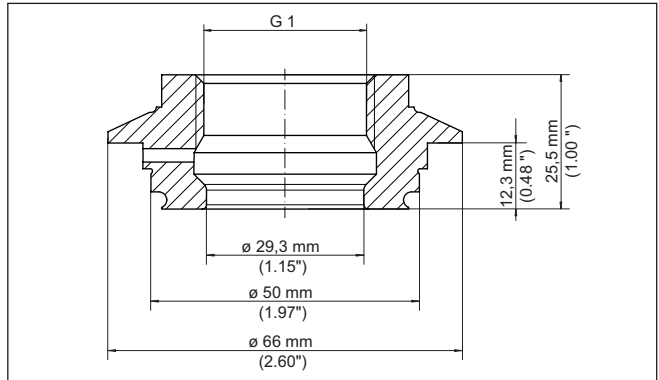


Fig. 63: Dimensions hygienic adapter G1 (DIN 3852-X) on Varivent Form F DN 25 - O-ring seal

**Thread G1 - Varivent
Form N DN 40 ... DN 150 -
O-ring seal**

| Part | Feature | Characteristic |
|-----------------------|---------------------------------|------------------|
| Hygienic adapter | Size, sensor side | G1 |
| | Standard | ISO 228-1 |
| | Size, process side | DN 40 ... DN 150 |
| | Standard | Varivent |
| | Pressure stage | PN 25 |
| | Material | 1.4435 |
| | Surface | Ra ≤ 0.76 µm |
| | Additional hygienic certificate | EHEDG, 3A |
| Product code/Art. no. | HYGADAPT-L.XFR | |

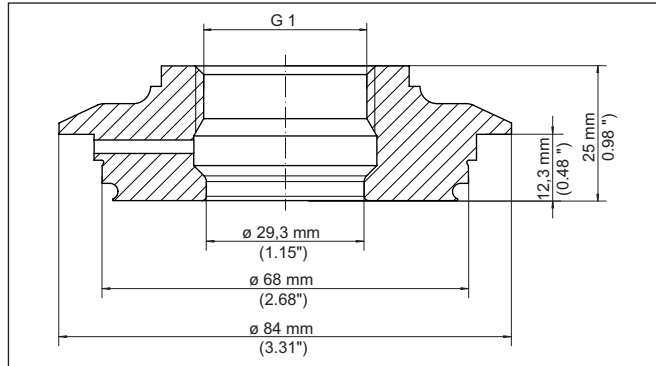


Fig. 64: Dimensions hygienic adapter G1 (DIN 3852-X) on Varivent Form N DN 40 ... DN 150 - O-ring seal

**Thread G1 - SMS DN 38 -
Cone seal**

| Part | Feature | Characteristic |
|-----------------------|---------------------|--|
| Hygienic adapter | Size, sensor side | G1 |
| | Standard | ISO 228-1 |
| | Size, process side | DN 40 |
| | Standard | SMS |
| | Pressure stage | PN 6 |
| | Material | 1.4435 |
| | Surface | Ra ≤ 0.76 µm |
| | Hygiene certificate | FDA, EG 1935/2004, EHEDG ¹⁾ |
| Product code/Art. no. | HYGADAPT-C.XFA | |

¹⁾ EHEDG in preparation

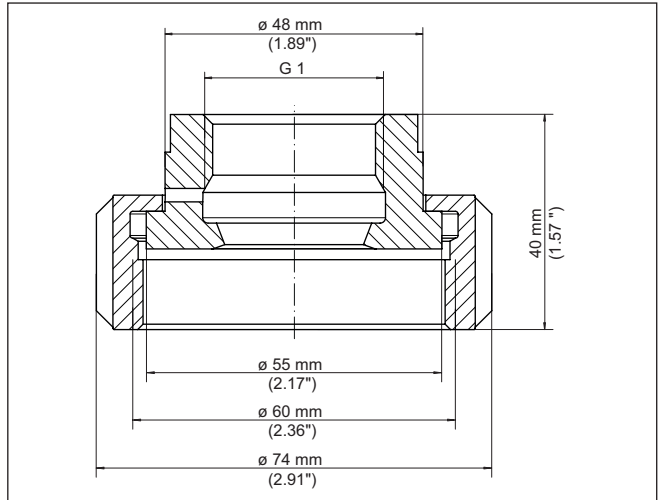


Fig. 65: Dimensions hygienic adapter G1 (DIN 3852-X) on SMS DN 38 - Cone seal

Thread G1 - SMS DN 38 - O-ring seal

| Part | Feature | Characteristic |
|-----------------------|---------------------------------|----------------|
| Hygienic adapter | Size, sensor side | G1 |
| | Standard | ISO 228-1 |
| | Size, process side | DN 40 |
| | Standard | SMS |
| | Pressure stage | PN 6 |
| | Material | 1.4435 |
| | Surface | Ra ≤ 0.76 µm |
| | Additional hygienic certificate | EHEDG, 3A |
| Product code/Art. no. | HYGADAPT-L.XFA | |

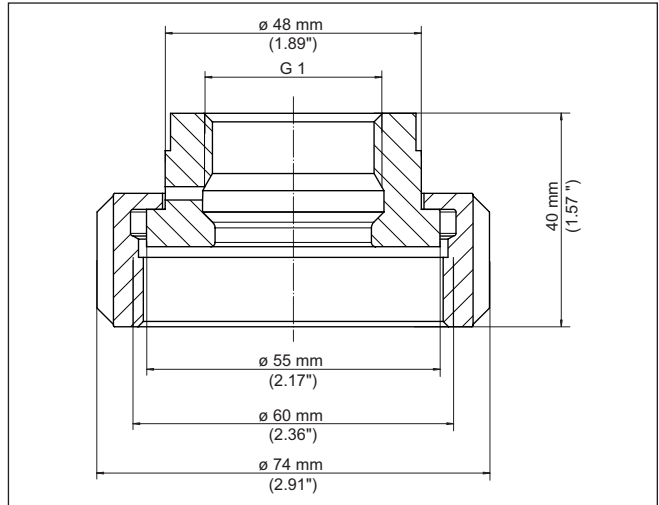


Fig. 66: Dimensions hygienic adapter G1 (DIN 3852-X) on SMS DN 38 - O-ring seal

9 Hygienic adapter - VEGAPOINT 10, 20, 30 series

9.1 Technical data, sealing concept

Common technical data

| Part | Feature | Characteristic |
|------------------|-------------------------|----------------------|
| Hygienic adapter | Material | 1.4435 |
| | Surface | Ra ≤ 0.76 µm |
| | Hygiene certificate | FDA, EG 1935/2004 |
| Max. torque | Cone seal plastic/metal | 50 Nm (36.88 lbf ft) |

Sealing concept plastic/metal

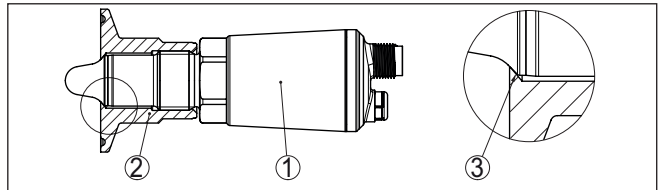


Fig. 67: Cone seal G $\frac{1}{2}$ VEGAPOINT plastic/metal

- 1 Sensor
- 2 Hygienic adapter
- 3 Seal plastic/metal

9.2 Direct welded socket

Thread G $\frac{1}{2}$ - Cone seal

| Part | Feature | Characteristic |
|---------------|-----------------------|-------------------|
| Welded socket | Size | G $\frac{1}{2}$ B |
| | Standard | ISO 228-1 |
| | Product code/Art. no. | HYGADAPT-PX7F |

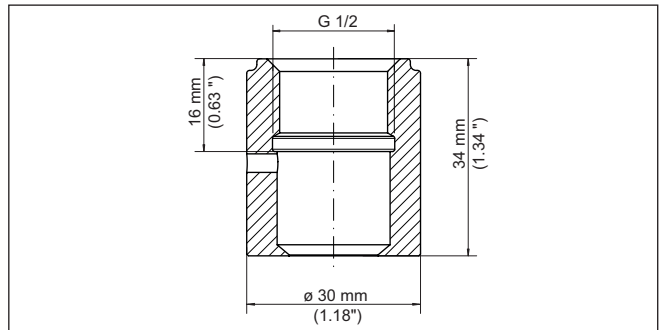


Fig. 68: Dimensions direct welded socket G $\frac{1}{2}$ - Cone seal

9.3 Clamp according to DIN 32676, ISO 2852

Thread G $\frac{1}{2}$ - Clamp 1 $\frac{1}{2}$ " - Cone seal

| Part | Feature | Characteristic |
|------------------|-----------------------|-------------------------|
| Hygienic adapter | Size, sensor side | G $\frac{1}{2}$ |
| | Standard | DIN 3852-X |
| | Size, process side | Clamp 1 $\frac{1}{2}$ " |
| | Standard | DIN 32676, ISO 2852 |
| | Pressure stage | PN 40 |
| | Product code/Art. no. | HYGADAPT-P.XAT |

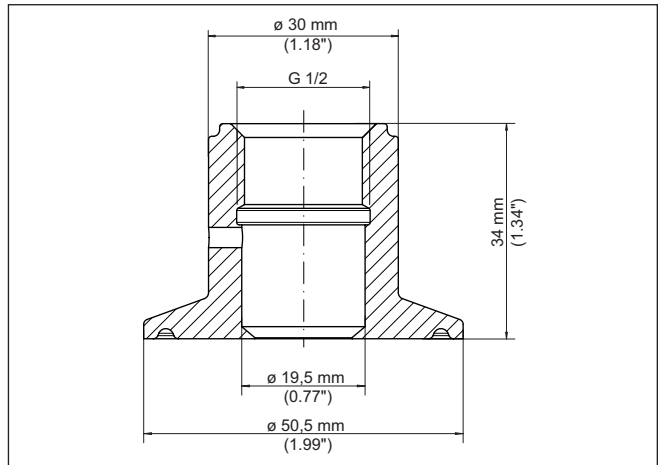


Fig. 69: Dimensions hygienic adapter G $\frac{1}{2}$ (DIN 3852-X) on Clamp 1 $\frac{1}{2}$ " (DIN 32676, ISO 2852) PN 40 - Cone seal

Thread G $\frac{1}{2}$ - Clamp 2"- cone seal

| Part | Feature | Characteristic |
|------------------|-----------------------|---------------------|
| Hygienic adapter | Size, sensor side | G $\frac{1}{2}$ |
| | Standard | DIN 3852-X |
| | Size, process side | Clamp 2" |
| | Standard | DIN 32676, ISO 2852 |
| | Pressure stage | PN 40 |
| | Product code/Art. no. | HYGADAPT-P.XAR |

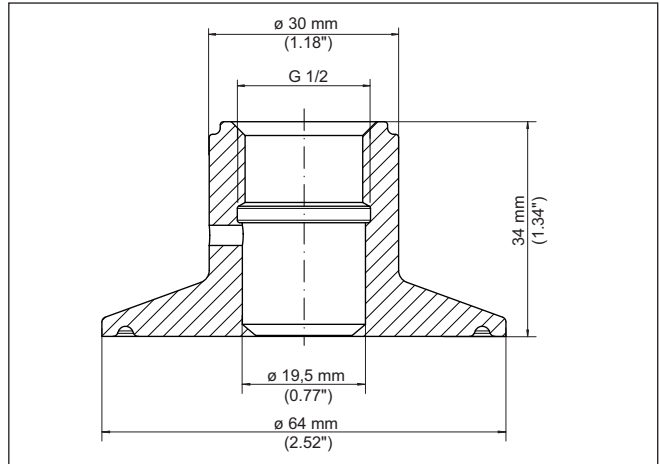


Fig. 70: Dimensions hygienic adapter G $\frac{1}{2}$ (DIN 3852-X) on Clamp 2" (DIN 32676, ISO 2852) PN 40 - Cone seal

9.4 Slotted nut acc. to DIN 11851

**Thread G $\frac{1}{2}$ - Slotted nut
DN 25 - Cone seal**

| Part | Feature | Characteristic |
|------------------|-----------------------|-----------------|
| Hygienic adapter | Size, sensor side | G $\frac{1}{2}$ |
| | Standard | DIN 3852-X |
| | Size, process side | DN 25 |
| | Standard | DIN 11851 |
| | Pressure stage | PN 40 |
| | Product code/Art. no. | HYGADAPT-P.XE5 |

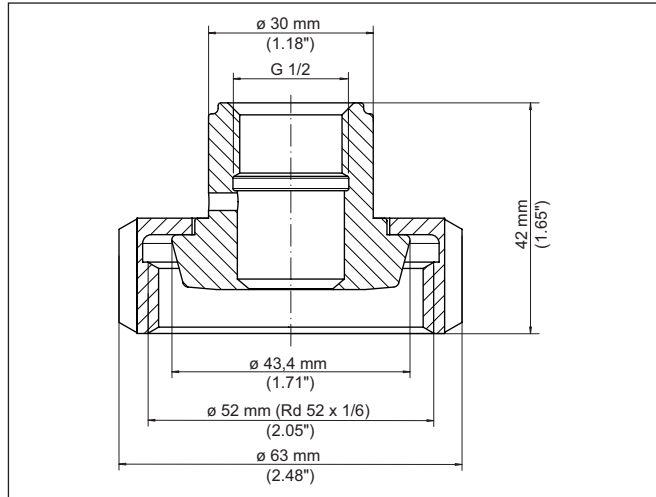


Fig. 71: Dimensions hygienic adapter G $\frac{1}{2}$ (DIN 3852-X) on slotted nut DN 25 (DIN 11851) PN 40 - Cone seal

**Thread G $\frac{1}{2}$ - Slotted nut
DN 40 - Cone seal**

| Part | Feature | Characteristic |
|------------------|-----------------------|-----------------|
| Hygienic adapter | Size, sensor side | G $\frac{1}{2}$ |
| | Standard | DIN 3852-X |
| | Size, process side | DN 40 |
| | Standard | DIN 11851 |
| | Pressure stage | PN 40 |
| | Product code/Art. no. | HYGADAPT-P.XEZ |

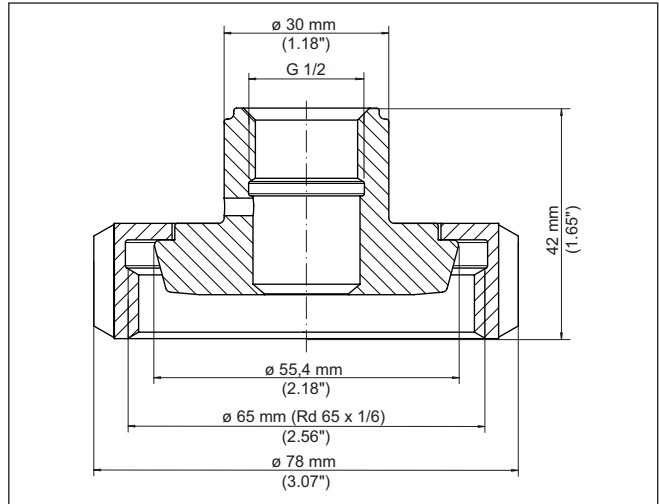


Fig. 72: Dimensions hygienic adapter G $\frac{1}{2}$ (DIN 3852-X) on slotted nut DN 40 (DIN 11851) PN 40 - Cone seal

9.5 Slotted nut acc. to DIN 11864-1

**Thread G $\frac{1}{2}$ - Slotted nut
DN 25 - Cone seal**

| Part | Feature | Characteristic |
|------------------|-----------------------|-----------------|
| Hygienic adapter | Size, sensor side | G $\frac{1}{2}$ |
| | Standard | DIN 3852-X |
| | Size, process side | DN 25 |
| | Standard | DIN 11864-1 |
| | Pressure stage | PN 40 |
| | Product code/Art. no. | HYGADAPT-P.XU5 |

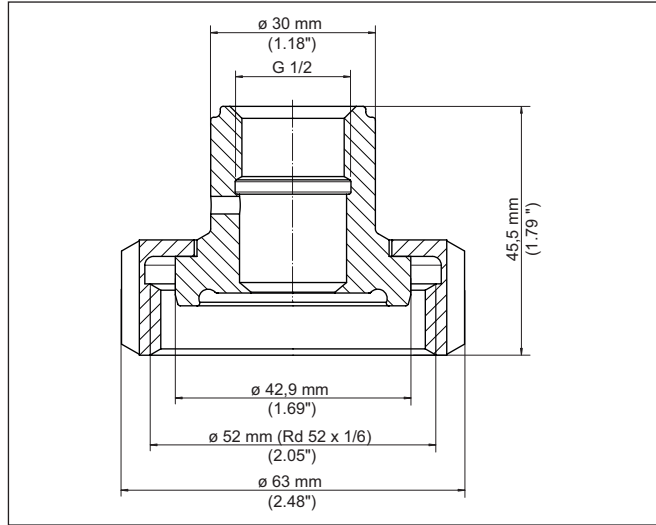


Fig. 73: Dimensions hygienic adapter G $\frac{1}{2}$ (DIN 3852-X) on slotted nut DN 25 (DIN 11851-1) PN 40 - Cone seal

**Thread G $\frac{1}{2}$ - Slotted nut
DN 40 - Cone seal**

| Part | Feature | Characteristic |
|------------------|-----------------------|-----------------|
| Hygienic adapter | Size, sensor side | G $\frac{1}{2}$ |
| | Standard | DIN 3852-X |
| | Size, process side | DN 40 |
| | Standard | DIN 11864-1 |
| | Pressure stage | PN 40 |
| | Product code/Art. no. | HYGADAPT-P.XE2 |

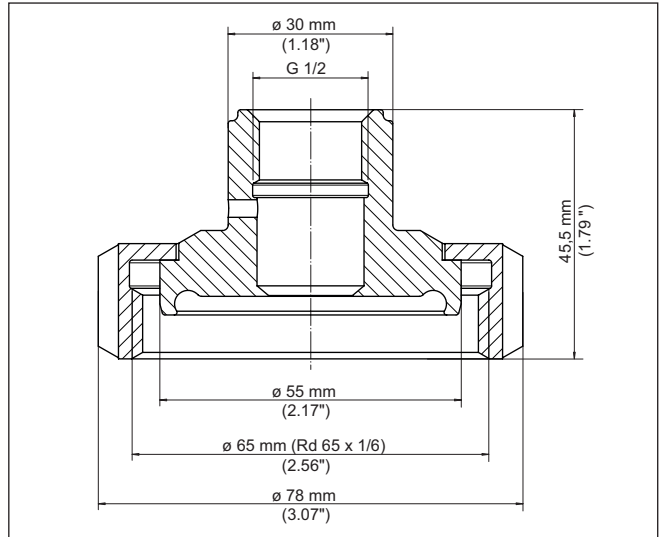


Fig. 74: Dimensions hygienic adapter G $\frac{1}{2}$ (DIN 3852-X) on slotted nut DN 40 (DIN 11864-1) PN 40 - Cone seal

**Thread G $\frac{1}{2}$ - Slotted nut
DN 50 - Cone seal**

| Part | Feature | Characteristic |
|------------------|-----------------------|-----------------|
| Hygienic adapter | Size, sensor side | G $\frac{1}{2}$ |
| | Standard | DIN 3852-X |
| | Size, process side | DN 50 |
| | Standard | DIN 11864-1 |
| | Product code/Art. no. | HYGADAPT-P.XE3 |

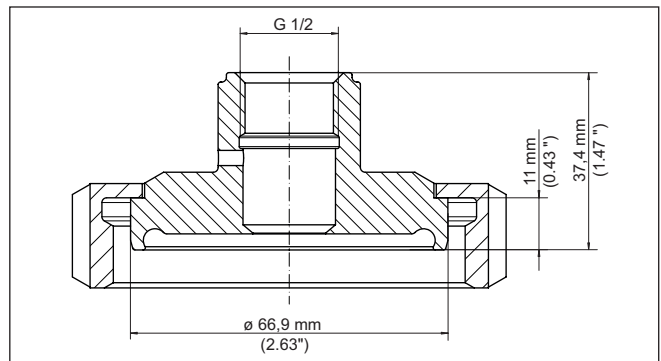


Fig. 75: Dimensions hygienic adapter G $\frac{1}{2}$ (DIN 3852-X) on slotted nut DN 50 (DIN 11864-1) PN 40 - Cone seal

65827-EN-241127

9.6 Slotted nut acc. to DIN 11864-2

Thread G $\frac{1}{2}$ - Slotted nut DN 25 - Cone seal

| Part | Feature | Characteristic |
|------------------|-----------------------|-----------------|
| Hygienic adapter | Size, sensor side | G $\frac{1}{2}$ |
| | Standard | DIN 3852-X |
| | Size, process side | DN 25 |
| | Standard | DIN 11864-2 |
| | Product code/Art. no. | HYGADAPT-PXBA |

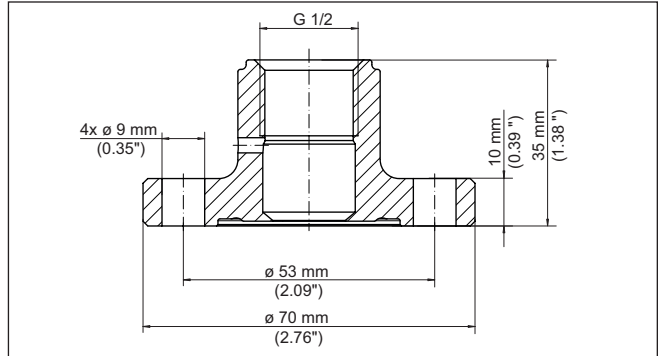


Fig. 76: Dimensions hygienic adapter G $\frac{1}{2}$ (DIN 3852-X) on slotted nut DN 25 (DIN 11864-2) PN 40 - Cone seal

Thread G $\frac{1}{2}$ - Slotted nut DN 40 - Cone seal

| Part | Feature | Characteristic |
|------------------|-----------------------|-----------------|
| Hygienic adapter | Size, sensor side | G $\frac{1}{2}$ |
| | Standard | DIN 3852-X |
| | Size, process side | DN 40 |
| | Standard | DIN 11864-2 |
| | Product code/Art. no. | HYGADAPT-PXAD |

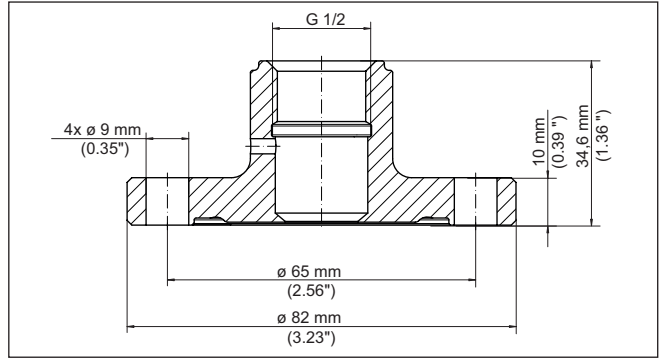


Fig. 77: Dimensions hygienic adapter G $\frac{1}{2}$ (DIN 3852-X) on slotted nut DN 40 (DIN 11864-2) PN 40 - Cone seal

**Thread G $\frac{1}{2}$ - Slotted nut
DN 50 - Cone seal**

| Part | Feature | Characteristic |
|------------------|-----------------------|-----------------|
| Hygienic adapter | Size, sensor side | G $\frac{1}{2}$ |
| | Standard | DIN 3852-X |
| | Size, process side | DN 50 |
| | Standard | DIN 11864-2 |
| | Product code/Art. no. | HYGADAPT-PXAC |

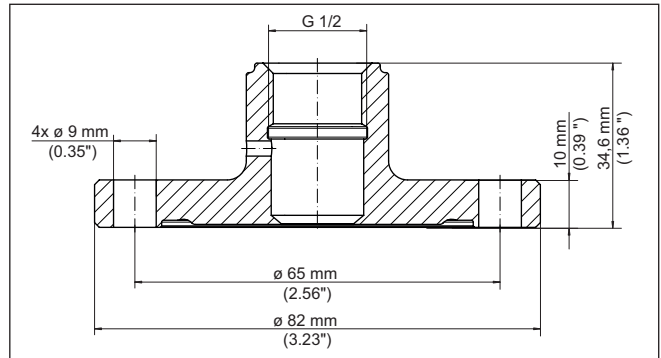


Fig. 78: Dimensions hygienic adapter G $\frac{1}{2}$ (DIN 3852-X) on slotted nut DN 50 (DIN 11864-2) PN 40 - Cone seal

9.7 Slotted nut acc. to DIN 11864-3

Thread G $\frac{1}{2}$ - Slotted nut DN 25 - Cone seal

| Part | Feature | Characteristic |
|------------------|-----------------------|-----------------|
| Hygienic adapter | Size, sensor side | G $\frac{1}{2}$ |
| | Standard | DIN 3852-X |
| | Size, process side | DN 25 |
| | Standard | DIN 11864-3 |
| | Product code/Art. no. | HYGADAPT-P.XKA |

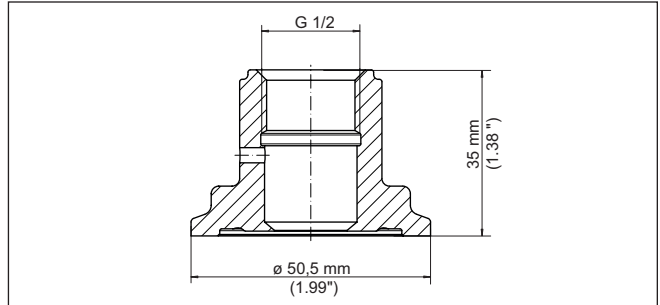


Fig. 79: Dimensions hygienic adapter G $\frac{1}{2}$ (DIN 3852-X) on slotted nut DN 25 (DIN 11864-3) PN 40 - Cone seal

Thread G $\frac{1}{2}$ - Slotted nut DN 40 - Cone seal

| Part | Feature | Characteristic |
|------------------|-----------------------|-----------------|
| Hygienic adapter | Size, sensor side | G $\frac{1}{2}$ |
| | Standard | DIN 3852-X |
| | Size, process side | DN 40 |
| | Standard | DIN 11864-3 |
| | Product code/Art. no. | HYGADAPT-P.XQ6 |

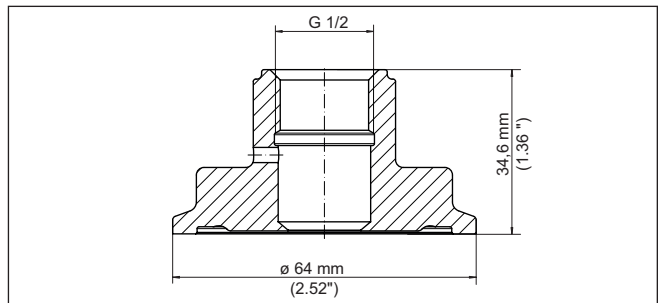


Fig. 80: Dimensions hygienic adapter G $\frac{1}{2}$ (DIN 3852-X) on slotted nut DN 40 (DIN 11864-3) PN 40 - Cone seal

**Thread G½ - Slotted nut
DN 50 - Cone seal**

| Part | Feature | Characteristic |
|------------------|-----------------------|----------------|
| Hygienic adapter | Size, sensor side | G½ |
| | Standard | DIN 3852-X |
| | Size, process side | DN 50 |
| | Standard | DIN 11864-3 |
| | Product code/Art. no. | HYGADAPT-P.XKW |

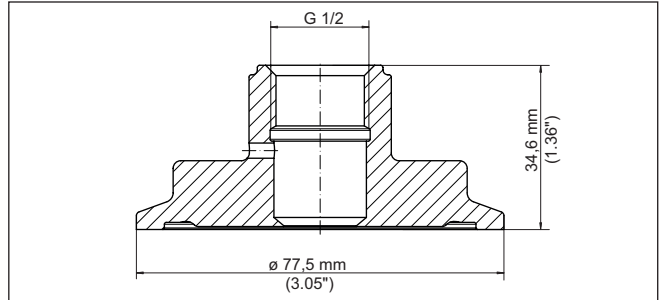


Fig. 81: Dimensions hygienic adapter G½ (DIN 3852-X) on slotted nut DN 50 (DIN 11864-3) PN 40 - Cone seal

9.8 Further hygienic fittings

**Thread G½ - Varivent
Form N DN 40 ... DN 100 -
Cone seal**

| Part | Feature | Characteristic |
|------------------|-----------------------|----------------|
| Hygienic adapter | Size, sensor side | G1 |
| | Standard | DIN 3852-X |
| | Size, process side | DN 40 |
| | Standard | Varivent |
| | Pressure stage | PN 25 |
| | Product code/Art. no. | HYGADAPT-P.XFR |

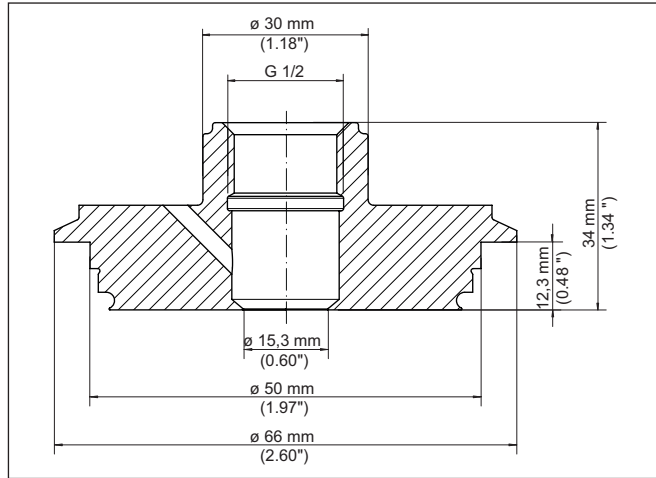


Fig. 82: Dimensions hygienic adapter G $\frac{1}{2}$ (DIN 3852-X) on Varivent Form N DN 40 ... DN 100 - Cone seal

**Thread G $\frac{1}{2}$ - Varivent
Form F DN 25 - Cone seal**

| Part | Feature | Characteristic |
|------------------|-----------------------|----------------|
| Hygienic adapter | Size, sensor side | G1 |
| | Standard | DIN 3852-X |
| | Size, process side | DN 32 |
| | Standard | Varivent |
| | Pressure stage | PN 25 |
| | Product code/Art. no. | HYGADAPT-P.XFS |

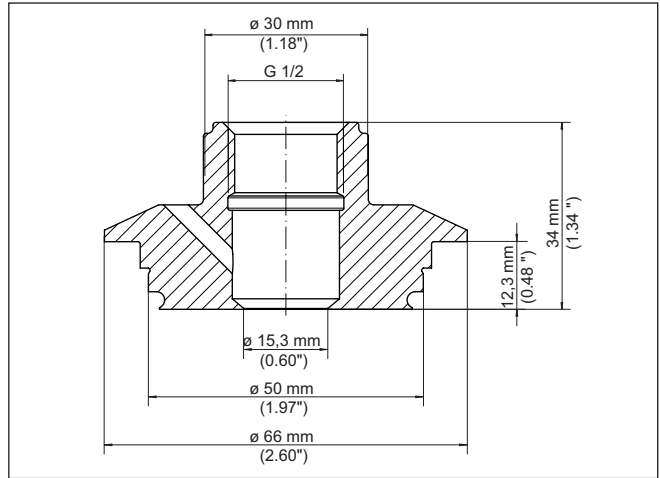


Fig. 83: Dimensions hygienic adapter G $\frac{1}{2}$ (DIN 3852-X) on Varivent Form F DN 25 - Cone seal

Thread G $\frac{1}{2}$ - SMS DN 38 - Cone seal

| Part | Feature | Characteristic |
|------------------|-----------------------|----------------|
| Hygienic adapter | Size, sensor side | G1 |
| | Standard | DIN 3852-X |
| | Size, process side | DN 40 |
| | Standard | SMS |
| | Pressure stage | PN 6 |
| | Product code/Art. no. | HYGADAPT-P.XFA |

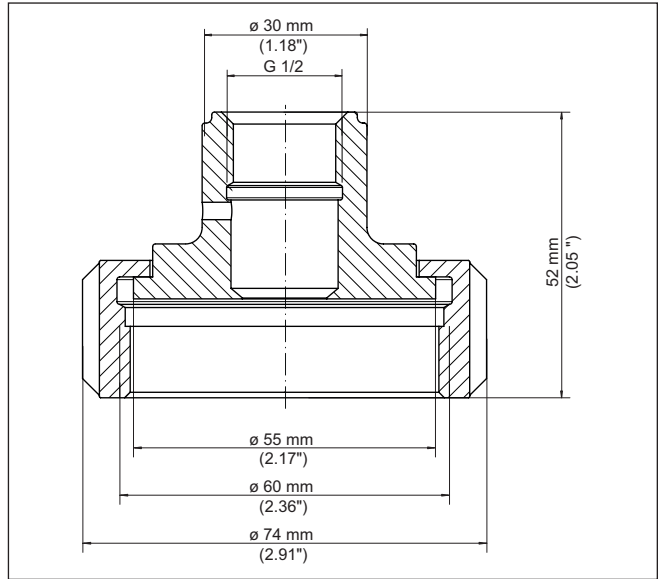


Fig. 84: Dimensions hygienic adapter G $\frac{1}{2}$ (DIN 3852-X) on SMS DN 38 - Cone seal

10 Welding, mounting

10.1 Welding instructions



Information:

The following welding instructions are for information only. It is important that the welding regulations are always observed. The AD leaflets must also be noted when welding on pressure vessels.

Preparations

When welding stainless steel, utmost cleanliness is necessary. Rusty tools or screwed parts, e.g., are not allowed. Also make sure that no mild steel is processed in the vicinity.

Use sufficient inert gas for tack welding. Make sure that you only tack weld, not spot-weld. For tacking and welding, use pure argon protective gas.

Welding dummy

A suitable welding dummy must be used to avoid warping the welded socket.

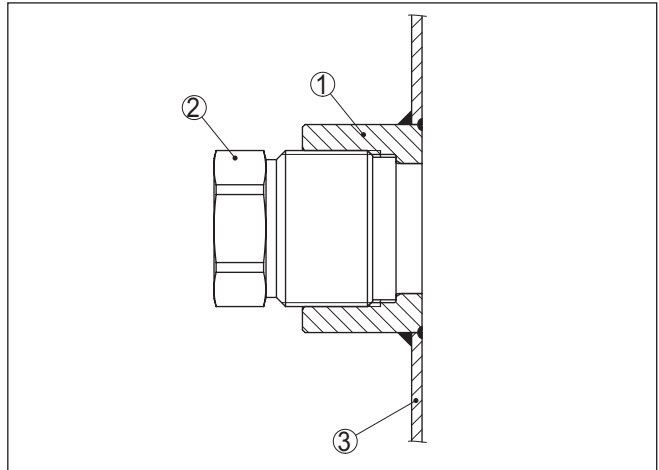


Fig. 85: Welding dummy

- 1 Welded socket
- 2 Dummy
- 3 Pipeline or vessel wall

Welding procedure

It is generally recommended to divide the weld joint into several segments.

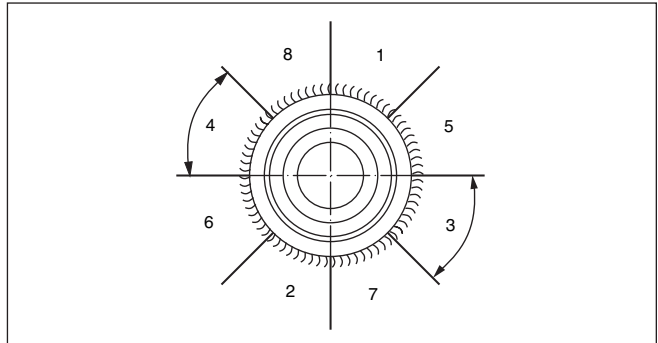


Fig. 86: Segmental welding

After welding a segment, go to the other side and weld the segment that lies exactly opposite. Interrupt the welding process after two segments and wait until the weld joint cools or carefully cool the weld joint yourself before you start welding again.

Pressure bearing capacity

The pressure bearing capacity of the welded socket depends on the quality of the weld as well as the material of the welded socket. In the case of threaded sockets, the total thread length must be utilized for pressure loading.

10.2 Mounting instructions threaded and hygienic adapter

Preparations

Use suitable spanners to screw the sensor into the adapter. The specifications are stated in the appropriate chapters of this manual or in the operating instructions manual of the respective sensor.

Mounting

Place the parts, especially with hygienic adapters, on a suitable, clean surface (e.g. workbench) and screw them together with the respective specified torque.



Note:

Avoid damage to the surface of the process fitting and adapter. Any damage can particularly impair the hygienic properties.



Note:

The cone seals metal/metal or plastic/metal provide a secure sealing when tightened once.

Loosening and retightening reduces the quality of the contact surfaces. Leakage, product leakage and contamination can be the result.





Printing date:

VEGA

All statements concerning scope of delivery, application, practical use and operating conditions of the sensors and processing systems correspond to the information available at the time of printing.

Subject to change without prior notice

© VEGA Grieshaber KG, Schiltach/Germany 2024

65827-EN-241127

VEGA Grieshaber KG
Am Hohenstein 113
77761 Schiltach
Germany

Phone +49 7836 50-0
E-mail: info.de@vega.com
www.vega.com