

# Explosion proof type space heater with Heatsink

## Model : H210 series

Spec. sheet no. HD02-01

### Service intended

The heater with heat sink is designed to be used in explosion hazardous areas. The H210 model is designed in a specially designed shape with both sides to effectively maintain the temperature of the space. In addition, a temperature switch is installed to prevent temperature rise caused by abnormal phenomena.



### Usage

Used to prevent freezing of electric motor and to maintain the temperature of specific space or area

### Safety and environment

Overheating is protected by a temperature switch. The temperature can be controlled by changing voltage (V) and wattage (W) on the space heater.

### Standard

IEC 60079-0, IEC 60079-1  
IEC 60079-31

### Ambient temperature

$-60^{\circ}\text{C} \leq T_{\text{amb}} \leq 115^{\circ}\text{C}$

### Material

Anodized aluminium (Black color)

### Electrical rating

100~250 V AC / Max. 5 A

### Certificates

ATEX/IEC Ex db IIC T4 Gb  
ATEX/IEC Ex tb IIIC T135°C Db  
KCs Ex db IIC T4 Gb  
KCs Ex tb IIIC T135°C Db

**WISE**<sup>®</sup>

**1. Base model****H210** Explosion proof**2. Protection**

- A** ATEX/IEC Ex db IIC T4
- B** ATEX/IEC Ex tb IIIC T135°C
- C** KCs Ex db IIC T4
- D** KCs Ex tb IIIC T135°C

**3. Surface temperature class**

- A** T4

**4. Heater length (mm)**

- A** 300L (Standard : 100W / Max. 120W)
- B** 400L (Standard : 135W / Max. 160W)
- C** 500L (Standard : 165W / Max. 200W)
- D** 600L (Standard : 200W / Max. 240W)
- E** 700L (Standard : 235W / Max. 280W)
- F** 800L (Standard : 270W / Max. 320W)
- G** 900L (Standard : 300W / Max. 360W)
- H** 1000L (Standard : 330W / Max. 400W)
- Z** Other (Max. 1000L)

**5. Lead cable length (mm)**

- A** 1000L (Standard)
- Z** Other

**6. Wattage (W)**

- A** 50
- B** 100
- C** 150
- D** 200
- E** 250
- F** 300
- G** 350
- Z** Other (Max. 400 W)

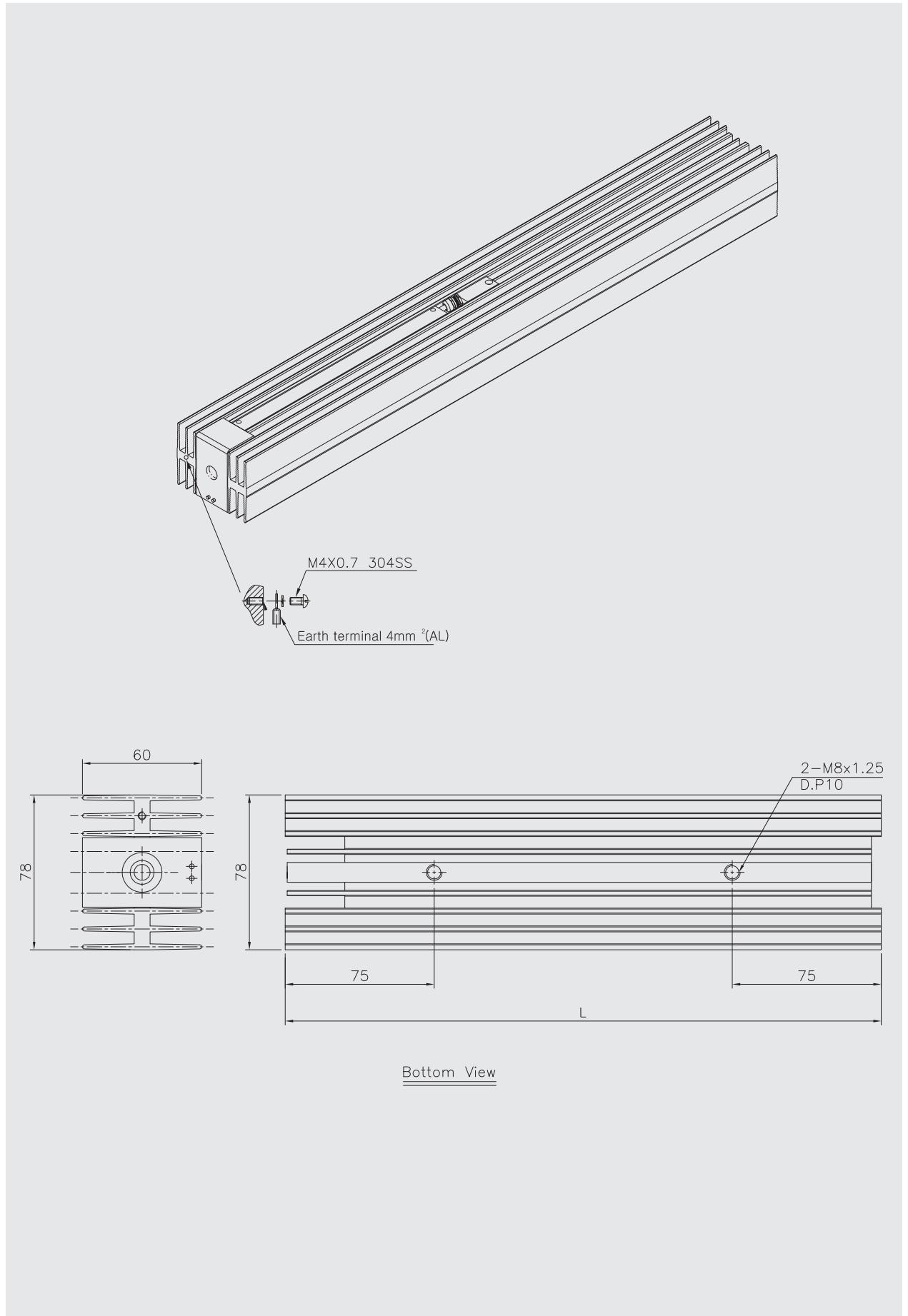
**7. Voltage (V)**

- A** 110
- B** 115
- C** 120
- D** 127
- E** 208
- F** 220
- G** 230
- H** 240

**Sample ordering code**

1	2	3	4	5	6	7
H210	A	A	A	A	A	A

## H210 : Standard product drawing



Bottom View

Empty memo box for notes.