

Glass tube flowmeter

Model : F812

Spec. sheet no. FD08-12

Description

They can be used to measure the instantaneous flowrate of liquids or gases in various applications.

They can be installed directly into vertical line.

Especially, F80x Series are suitable for measuring large flow range.



Features

- Simple construction and Economical price
- Easy of installation and maintenance
- The main part's material : 304SS, 316SS, 316L SS

Specification

Measuring

Liquid, Gas

Temperature

Max.120 °C

Meter size

65A (2½") ~ 200A (8")

Connection

Flange connection (JIS / ANSI / DIN / Other)

Material

Body : 304SS, 316SS, 316L SS

Float : 304SS, 316SS, 316L SS, PVC, PTFE, ACETAL

Tube : Temperature Glass

Pressure rating

Max.5 kgf/cm²

Accuracy

±3.0 % of full scale

1. Base model**F812** Glass tube flowmeter (to measure the large flow range)**2. Flow direction type****1** Bottom to Top**3. Meter size****65** 65A (2½")**80** 80A (3")**100** 100A (4")**125** 125A (5")**150** 150A (6")**200** 200A (8")**4. Connection****J** JIS 10K**A** ANSI 150 Lb**D** DIN PN16**O** Others**5. Body material****A** 304SS**B** 316SS**C** 316L SS**O** Others**6. Option****N** None**Sample ordering code**

1	2	3	4	5	6
F812	1	65	J	A	N



© WISE Control Inc. All rights reserved. ALL PRODUCT, PRODUCT SPECIFICATIONS AND DATA ARE SUBJECT TO CHANGE WITHOUT NOTICE TO IMPROVE RELIABILITY, FUNCTION OR DESIGN OR OTHERWISE.

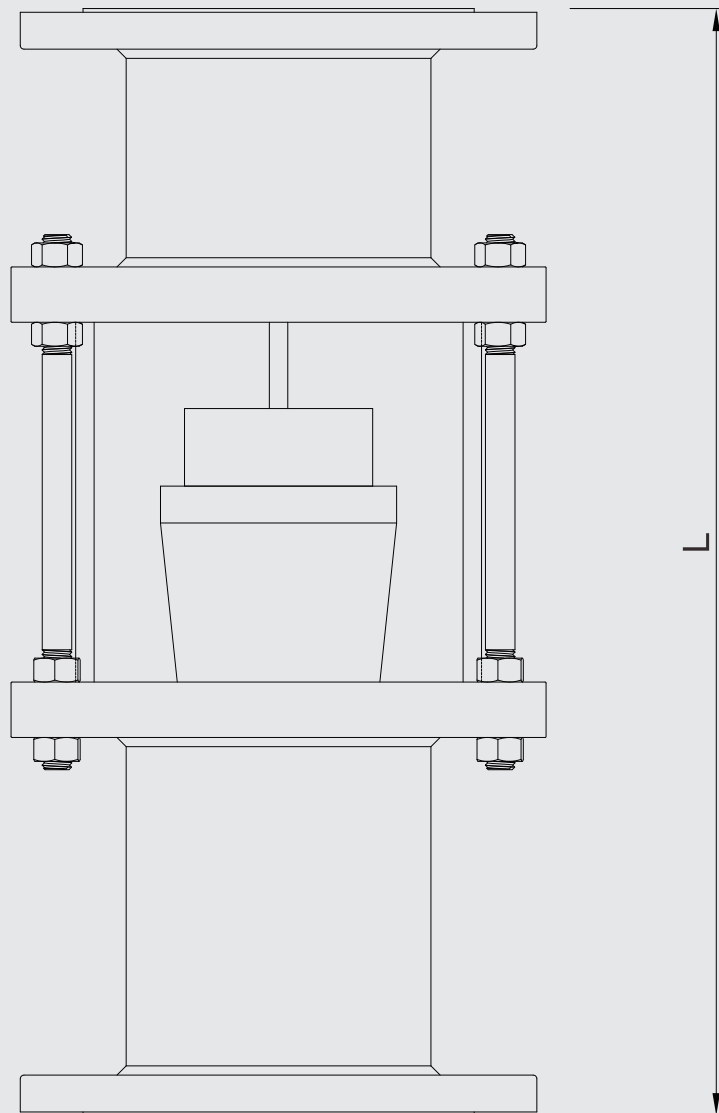
Flow chart

Size	Flow rate H ₂ O (m ³ /h)	Measuring range Liquid (m ³ /h)	Pressure loss (mmH ₂ O)	Max. Pressure (kgf/cm ²)
65A (2½")	2.5 ~ 25	1.5 ~ 30	400	5
80A (3")	4 ~ 40	2 ~ 50	500	4
100A (4")	6 ~ 60	5 ~ 70	500	3
125A (5")	10 ~ 100	7 ~ 120	600	3
150A (6")	14 ~ 140	12 ~ 150	600	3
200A (8")	20 ~ 200	15 ~ 280	700	3

Material table

Part list	Material		
Body	304SS	316SS	316L SS
Flange	304SS	316SS	316L SS
Float	304SS, 316SS, 316L SS		
Guid Rod	304SS, 316SS		
Packing	NBR, VITON, EPDM, PTFE		
Tube	Temperature Glass		
Column	304SS		
Nut	304SS		

Dimension



(Bottom → Top)

Size	L (mm)
65A (2½")	470
80A (3")	530
100A (4")	600
125A (5")	600
150A (6")	600
200A (8")	700