

Glass tube flowmeter

Model : F809

Spec. sheet no. FD08-09

Description

They can be used to measure the instantaneous flowrate of liquids or gases in various applications.

They are designed to be installed into vertical lines.

It is installed the protection cover on the flowmeter body.



Features

- Simple construction and Economical price
- Easy of installation and maintenance
- Protection cover

Specification

Measuring

Liquid, Gas

Temperature

Max.120 °C

Meter size

15A (½") ~ 100A (4")

Connection

Flange connection (JIS / ANSI / DIN / Other)

Screw connection (Size: 15A~ 100A)

Material

Body : 304SS, 316SS, 316L SS

Float : 304SS, 316SS, 316L SS, PVC, PTFE, ACETAL

Packing : NBR, VITON, EPDM, PTFE

Pressure rating

Max.10 kgf/cm²

Accuracy

±3.0 % of full scale

WISE[®]

1. Base model**F809** Glass tube flowmeter**2. Flow direction type**

- 1** Bottom to Top
- 2** Bottom to Side
- 3** Side to Top
- 4** Side to Side

3. Meter size

- 15** 15A (½")
- 20** 20A (¾")
- 25** 25A (1")
- 32** 32A (1¼")
- 40** 40A (1½")
- 50** 50A (2")
- 65** 65A (2½")
- 80** 80A (3")
- 100** 100A (4")

4. Connection

- J** JIS 10K
- A** ANSI 150 Lb
- D** DIN PN16
- P** Screw : PT
- N** Screw : NPT
- O** Others

5. Body material

- A** Steel
- B** 304SS
- C** 316SS
- D** 316L SS
- O** Others

6. Option

- N** None

Sample ordering code

1	2	3	4	5	6
F809	1	15	J	A	N



© WISE Control Inc. All rights reserved. ALL PRODUCT, PRODUCT SPECIFICATIONS AND DATA ARE SUBJECT TO CHANGE WITHOUT NOTICE TO IMPROVE RELIABILITY, FUNCTION OR DESIGN OR OTHERWISE.

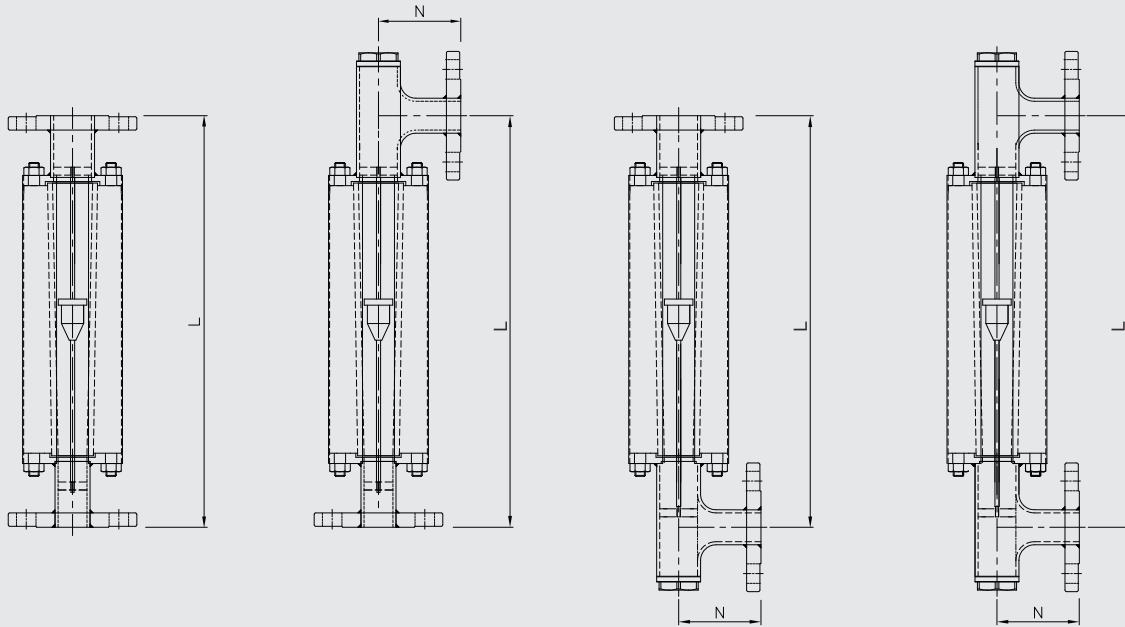
Flow chart

Float Size	Flow rate H ₂ O (m ³ /h)		Measuring range				Pressure loss (mmH ₂ O)		Max. Pressure (kgf/cm ²)
	304SS	PVC	Liquid (m ³ /h)		Gas (Nm ³ /h)		H ₂ O	Gas	
15A (½")	0.1 ~ 1.0	0.08 ~ 0.8	0.03 ~ 0.3 0.2 ~ 2	0.03 ~ 0.3 0.15 ~ 1.5	0.3 ~ 3 1.2 ~ 12	0.3 ~ 3 2 ~ 20	100	20	10
20A (¾")	0.15 ~ 1.5	0.12 ~ 1.2	0.03 ~ 0.3 0.2 ~ 2	0.03 ~ 0.3 0.15 ~ 1.5	0.3 ~ 3 2 ~ 20	0.3 ~ 3 3 ~ 30	200	30	10
25A (1")	0.35 ~ 3.5	0.25 ~ 2.5	0.15 ~ 1.5 0.5 ~ 5	0.1 ~ 1 0.35 ~ 3.5	1 ~ 10 4 ~ 40	1.5 ~ 15 6 ~ 60	250	40	7
32A (1¼")	0.6 ~ 6	0.45 ~ 4.5	0.3 ~ 3 0.7 ~ 7	0.25 ~ 2.5 0.6 ~ 6	2 ~ 20 7 ~ 70	3 ~ 30 10 ~ 100	300	50	7
40A (1½")	1 ~ 10	0.8 ~ 8	0.35 ~ 3.5 1.2 ~ 12	0.3 ~ 3 1.0 ~ 10	3 ~ 30 12 ~ 120	4.5 ~ 45 15 ~ 150	350	60	7
50A (2")	1.5 ~ 15	1.2 ~ 12	1 ~ 10 2 ~ 20	0.8 ~ 8 1.5 ~ 15	3.5 ~ 35 15 ~ 150	5 ~ 50 2 ~ 200	400	100	5
65A (2½")	2.5 ~ 25	2 ~ 20	1.5 ~ 15 3 ~ 30	1.2 ~ 12 2.5 ~ 25	6 ~ 60 30 ~ 300	9 ~ 90 40 ~ 400	400	100	4
80A (3")	4 ~ 40	3 ~ 30	2 ~ 20 5 ~ 50	1.6 ~ 16 4 ~ 40	10 ~ 100 50 ~ 500	15 ~ 150 70 ~ 700	500	150	3
100A (4")	6 ~ 60	5 ~ 50	5 ~ 50 7 ~ 70	3 ~ 30 6 ~ 60	15 ~ 150 70 ~ 700	20 ~ 200 100 ~ 1,000	500	150	3

Material table

Part list	Material
Body	304SS, 316SS, 316L SS
Flange	304SS, 316SS, 316L SS
Float	304SS, 316SS, PVC, PTFE, ACETAL & etc
Taper tube	PYREX GLASS
Guide rod	304SS, 316SS, 316L SS
Protection	NBR, VITON, EPDM, PTFE
Packing	304SS
Nut	304SS

Dimension



(Bottom → Top)

(Bottom → Side)

(Side → Top)

(Side → Side)

Hook up Size	Bottom → Top	Bottom → Side		Side → Top		Side → Side	
	L	L	N	L	N	L	N
15A (1/2")	360	370	70	370	70	370	70
20A (3/4")	360	370	70	370	70	370	70
25A (1")	400	410	80	410	80	410	80
32A (1 1/4")	420	430	80	430	80	430	80
40A (1 1/2")	440	450	100	450	100	450	100
50A (2")	480	500	100	500	100	500	100
65A (2 1/2")	550	580	120	580	120	580	120
80A (3")	620	660	130	660	130	660	130
100A (4")	740	790	150	790	150	790	150