

Glass tube flowmeter

Model : F807

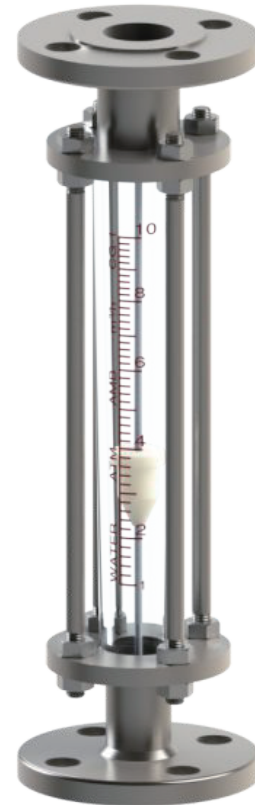
Spec. sheet no. FD08-07

Description

They can be used to measure the instantaneous flowrate of liquids or gases in various applications.

They are designed to be installed into vertical lines.

Especially, F80x Series are suitable for measuring small flow range.



Features

- Measurement of small flow range
- Simple construction and Economical price
- Easy of installation and maintenance

Specification

Measuring

Liquid, Gas

Temperature

Max.120 °C

Meter size

10A (3/8") ~ 20A (3/4")

Connection

Flange connection (JIS / ANSI / DIN / Other)
Screw connection

Material

Body : 304SS, 316SS, 316L SS
Float : 304SS, 316SS, 316L SS, PVC, PTFE, ACETAL
Packing : NBR, VITON, EPDM, PTFE
Taper tube : PYREX GLASS

Pressure rating

Max.10 kgf/cm²

Accuracy

±3.0 % of full scale

1. Base model

F807 Glass tube flowmeter

2. Flow direction type

- 1** Bottom to Top
- 2** Bottom to Side
- 3** Side to Top
- 4** Side to Side

3. Meter size

- 10** 10A ($\frac{3}{8}$ "
- 15** 15A ($\frac{1}{2}$ "
- 20** 20A ($\frac{3}{4}$ "

4. Connection

- J** JIS 10K
- A** ANSI 150 Lb
- D** DIN PN16
- P** Screw : PT
- N** Screw : NPT
- O** Others

5. Body material

- A** 304SS
- B** 316SS
- C** 316L SS
- O** Others

6. Option

- N** None

Sample ordering code

1	2	3	4	5	6
F807	1	10	J	A	N



© WISE Control Inc. All rights reserved. ALL PRODUCT, PRODUCT SPECIFICATIONS AND DATA ARE SUBJECT TO CHANGE WITHOUT NOTICE TO IMPROVE RELIABILITY, FUNCTION OR DESIGN OR OTHERWISE.

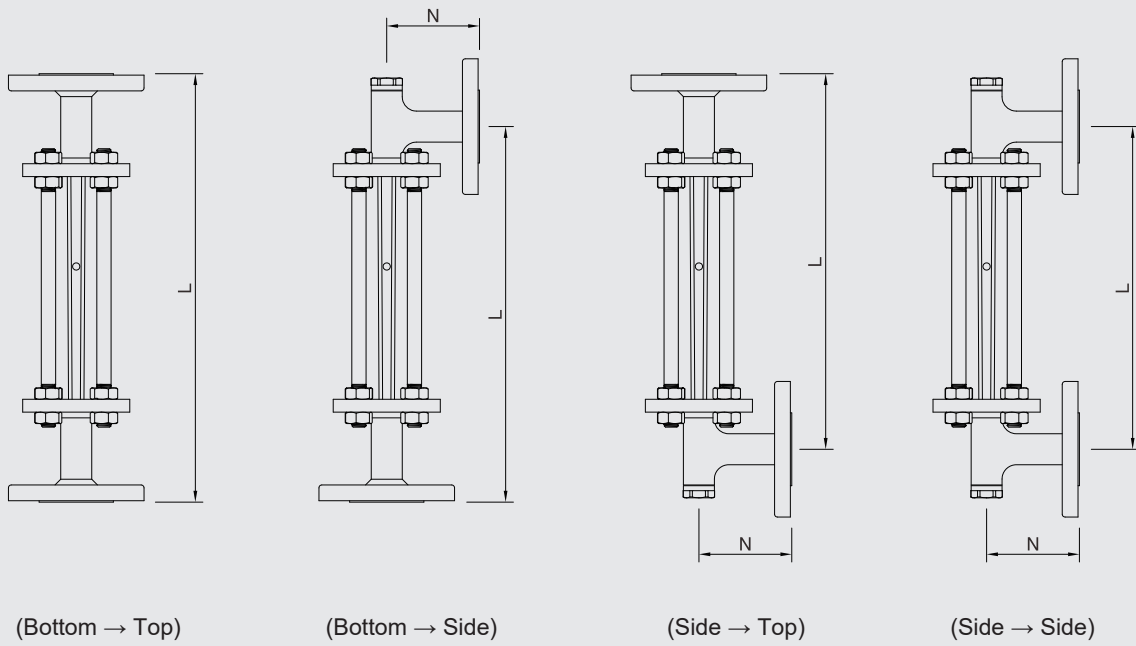
Flow chart

	Flow rate H ₂ O (m ³ /h)		Measuring range				Pressure loss (mmH ₂ O)		Max. Pressure (kgf/cm ²)
			Liquid (m ³ /h)		Gas (Nm ³ /h)		H ₂ O	Gas	
Float Size	304SS	PVC	304SS	PVC	PVC ACETAL PTFE	Aluminium 304SS			
10A (3/8")	6 ~ 60	4 ~ 40	1 ~ 10 10 ~ 100	1 ~ 10 6 ~ 60	0.01 ~ 0.1 0.1 ~ 1	0.01 ~ 0.1 0.15 ~ 1.5	100	20	10
15A (1/2")	20 ~ 200	15 ~ 150	10 ~ 100 70 ~ 700	6 ~ 60 15 ~ 150	0.1 ~ 1 0.2 ~ 2	0.15 ~ 1.5 0.3 ~ 3	100	20	10
20A (3/4")	70 ~ 700	60 ~ 600	10 ~ 1000 70 ~ 700	6 ~ 60 60 ~ 600	0.1 ~ 1 0.7 ~ 7	0.15 ~ 1.5 1 ~ 10	200	30	7

Material table

Part list	Material		
Body	304SS	316SS	316L SS
Flange	304SS	316SS	316L SS
Float	304SS, 316SS, 316L SS, PVC, PTFE, ACETAL		
Taper tube	PYREX GLASS		
Guide rod	304SS, 316SS		
Packing	NBR, VITON, EPDM, PTFE		
Stay bolt	304SS		
Nut	304SS		

Dimension



Hook up Size	Bottom → Top	Bottom → Side		Side → Top		Side → Side	
	L	L	N	L	N	L	N
10A ($\frac{3}{8}$ "	360	370	70	370	70	370	70
15A ($\frac{1}{2}$ "	360	370	70	370	70	370	70
20A ($\frac{3}{4}$ "	360	370	70	370	70	370	70