

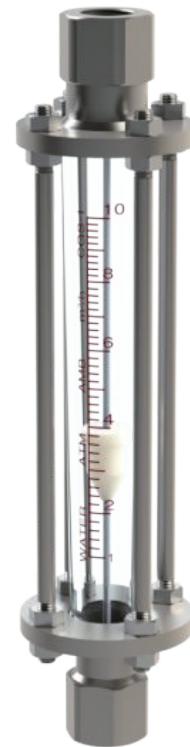
# Glass tube flowmeter

## Model : F802

Spec. sheet no. FD08-02

### Description

They can be used to measure the instantaneous flowrate of liquids or gases in various applications. They are designed to be installed into vertical lines.



### Features

- Simple construction and Economical price
- Easy of installation and maintenance
- The Material of Main parts : 304SS, 316SS, 316L SS

## Specification

### Measuring

Liquid, Gas

### Temperature

Max.120 °C

### Meter size

15A (½") ~ 100A (4")

### Connection

Flange connection (JIS / ANSI / DIN / Other)  
Screw connection (Size: ½"~ 2½")

### Material

Body : 304SS, 316SS, 316L SS  
Float : 304SS, 316SS, 316L SS, PVC, PTFE, ACETAL  
Packing : NBR, VITON, EPDM, PTFE  
Taper tube : PYREX GLASS

### Pressure rating

Max.10 kgf/cm<sup>2</sup>

### Accuracy

±3.0 % of full scale

**WISE**<sup>®</sup>

**1. Base model****F802** Glass tube flowmeter**2. Flow direction type**

- 1 Bottom to Top
- 2 Bottom to Side
- 3 Side to Top
- 4 Side to Side

**3. Meter size**

- 15 15A (½")
- 20 20A (¾")
- 25 25A (1")
- 32 32A (1¼")
- 40 40A (1½")
- 50 50A (2")
- 65 65A (2½")
- 80 80A (3")
- 100 100A (4")

**4. Connection**

- P Screw : PT
- N Screw : NPT
- O Others

**5. Body material**

- A 304SS
- B 316SS
- C 316L SS
- O Others

**6. Option**

- N None

**Sample ordering code**

1	2	3	4	5	6
F802	1	15	P	A	N



© WISE Control Inc. All rights reserved. ALL PRODUCT, PRODUCT SPECIFICATIONS AND DATA ARE SUBJECT TO CHANGE WITHOUT NOTICE TO IMPROVE RELIABILITY, FUNCTION OR DESIGN OR OTHERWISE.

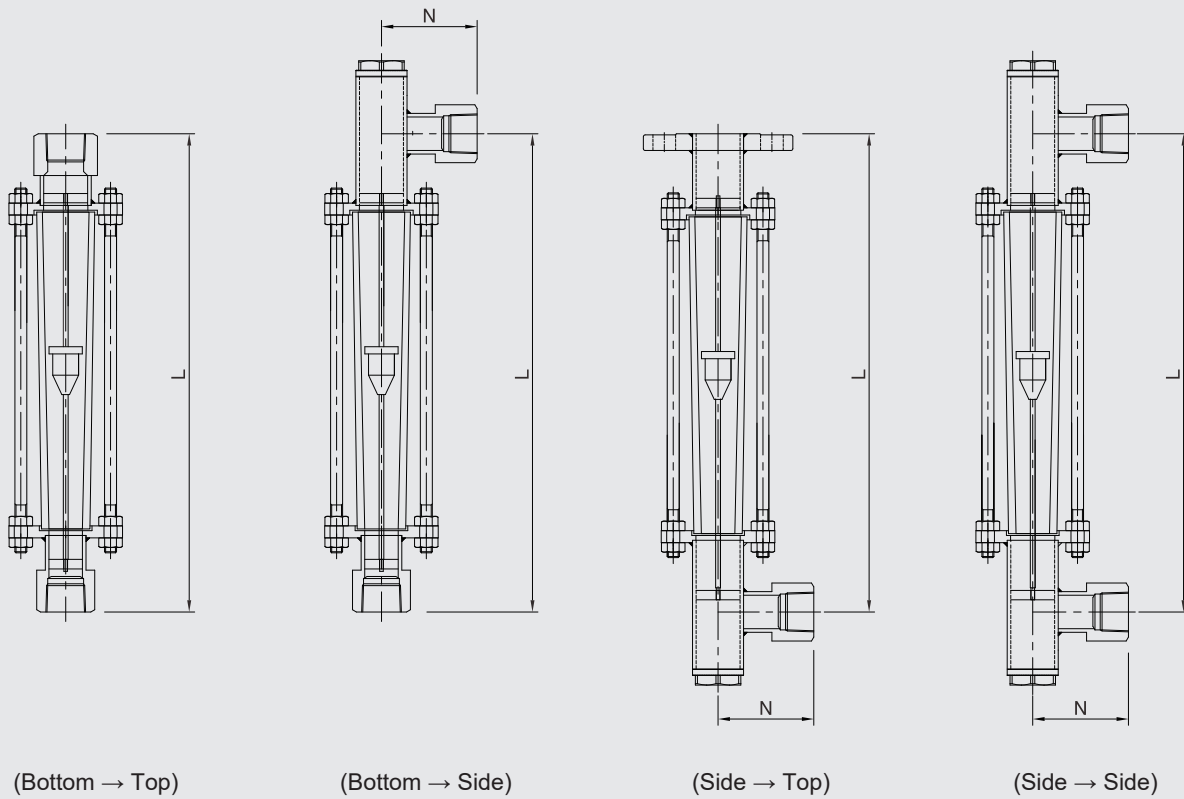
## Flow chart

Float Size	Flow rate H <sub>2</sub> O (m <sup>3</sup> /h)		Measuring range				Pressure loss (mmH <sub>2</sub> O)		Max. Pressure (kgf/cm <sup>2</sup> )
			Liquid (m <sup>3</sup> /h)		Gas (Nm <sup>3</sup> /h)		H <sub>2</sub> O	Gas	
	304SS	PVC	304SS	PVC	PVC Acetal PTFE	Aluminium 304SS			
15A (½")	0.1 ~ 1.0	0.08 ~ 0.8	0.03 ~ 0.3 0.2 ~ 2	0.03 ~ 0.3 0.15 ~ 1.5	0.3 ~ 3 1.2 ~ 12	0.3 ~ 3 2 ~ 20	100	20	10
20A (¾")	0.15 ~ 1.5	0.12 ~ 1.2	0.03 ~ 0.3 0.2 ~ 2	0.03 ~ 0.3 0.15 ~ 1.5	0.3 ~ 3 2 ~ 20	0.3 ~ 3 3 ~ 30	200	30	10
25A (1")	0.35 ~ 3.5	0.25 ~ 2.5	0.15 ~ 1.5 0.5 ~ 5	0.1 ~ 1 0.35 ~ 3.5	1 ~ 10 4 ~ 40	1.5 ~ 15 6 ~ 60	250	40	7
32A (1¼")	0.6 ~ 6	0.45 ~ 4.5	0.3 ~ 3 0.7 ~ 7	0.25 ~ 2.5 0.6 ~ 6	2 ~ 20 7 ~ 70	3 ~ 30 10 ~ 100	300	50	7
40A (1½")	1 ~ 10	0.8 ~ 8	0.35 ~ 3.5 1.2 ~ 12	0.3 ~ 3 1.0 ~ 10	3 ~ 30 12 ~ 120	4.5 ~ 45 15 ~ 150	350	60	7
50A (2")	1.5 ~ 15	1.2 ~ 12	1 ~ 10 2 ~ 20	0.8 ~ 8 1.5 ~ 15	3.5 ~ 35 15 ~ 150	5 ~ 50 2 ~ 200	400	100	5
65A (2½")	2.5 ~ 25	2 ~ 20	1.5 ~ 15 3 ~ 30	1.2 ~ 12 2.5 ~ 25	6 ~ 60 30 ~ 300	9 ~ 90 40 ~ 400	400	100	4
80A (3")	4 ~ 40	3 ~ 30	2 ~ 20 5 ~ 50	1.6 ~ 16 4 ~ 40	10 ~ 100 50 ~ 500	15 ~ 150 70 ~ 700	500	150	3
100A (4")	6 ~ 60	5 ~ 50	5 ~ 50 7 ~ 70	3 ~ 30 6 ~ 60	15 ~ 150 70 ~ 700	20 ~ 200 100 ~ 1,000	500	150	3

## Material table

Part list	Material		
Body	304SS	316SS	316L SS
Flange	304SS	316SS	316L SS
Float	304SS / 316SS / 316L SS / PVC, PTFE, ACETAL		
Taper tube	PYREX GLASS		
Guide rod	304SS / 316SS		
Packing	NBR, VITON, EPDM, PTFE		
Stay bolt	304SS		
Nut	304SS		

## Dimension



Hook up Size	Bottom → Top	Bottom → Side		Side → Top		Side → Side	
	L	L	N	L	N	L	N
15A (½")	360	370	70	370	70	370	70
20A (¾")	360	370	70	370	70	370	70
25A (1")	400	410	80	410	80	410	80
32A (1¼")	420	430	80	430	80	430	80
40A (1½")	440	450	100	450	100	450	100
50A (2")	480	500	100	500	100	500	100
65A (2½")	550	580	120	580	120	580	120
80A (3")	620	660	130	660	130	660	130
100A (4")	740	790	150	790	150	790	150