

Integral type thermowell

Model : A7100

Spec. sheet no. AD07-01

Service intended

A7100 is specially designed for use with the main piping and thermowell.

A7100 thermowell for temperature sensor is recommended for all process systems where pressure, velocity, viscous, abrasive, and corrosive materials are present individually or in combination.

A7100 is specially designed to be used for the situation where corrosive, contaminated, hot, and viscous pressure mediums are present, and it could be used for a chemical, food, beverage, biochemical, and pharmaceutical industry.



Special fetures

3-A Grade

High level of surface roughness

Electropolished surface of wetted part (Special)

Standard features

Material

316L SS

Working temperature

Process Temperature : - 50 to 200 °C

Surface roughness of wetted part

Ra ≤ 0.64 µm

Ra ≤ 0.64 µm with E.P (Special)

1. Base model

A7100 Integral type thermowell

2. Type

- T** T-type thermowell with temperature transmitter
Z Other

3. Material

- L** 316L SS
Z Other

4. Gauge connection

- G1** G $\frac{3}{8}$ " (M)
N2 NPT $\frac{1}{2}$ " (F)
P2 PF $\frac{1}{2}$ " (F)
T2 PT $\frac{1}{2}$ " (F)

5. Process connection

- A** $\frac{1}{2}$ " (Not 3-A Certi.)
B $\frac{3}{4}$ " (Not 3-A Certi.)
C 1"
D $1\frac{1}{2}$ "
E 2"
F $2\frac{1}{2}$ "
G 3"
H 4"
Z Other

6. Tip outer diameter / Bore size

- T0** 4.5 / 3.1 (Below $1\frac{1}{2}$ ")
A0 14 / 7
ZZ Other

7. Surface roughness of wetted part

- 64A** Ra \leq 0.64 μ m
64E Ra \leq 0.64 μ m with E.P (Special)

8. "T" Length

- 0** 45
1 50 below
2 50 above

9. Option

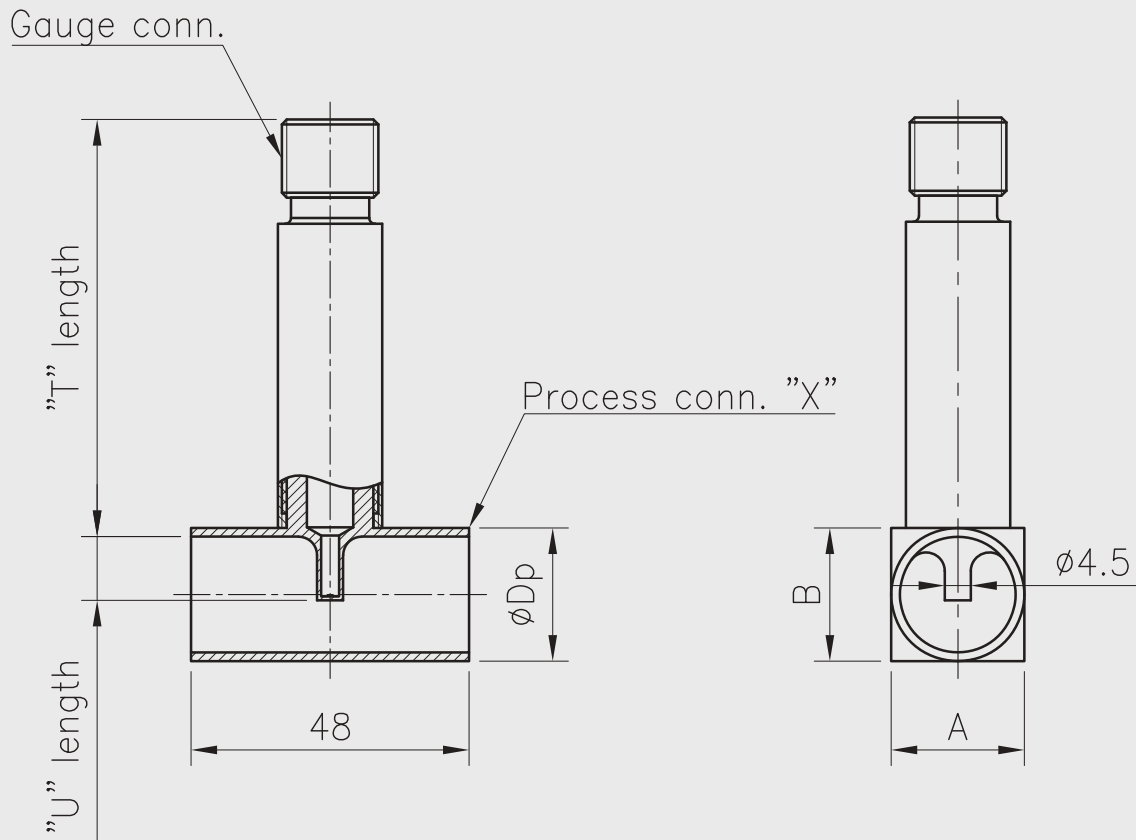
- 0** None

Sample ordering code

1	2	3	4	5	6	7	8	9
A7100	T	L	G1	A	T0	64E	0	0

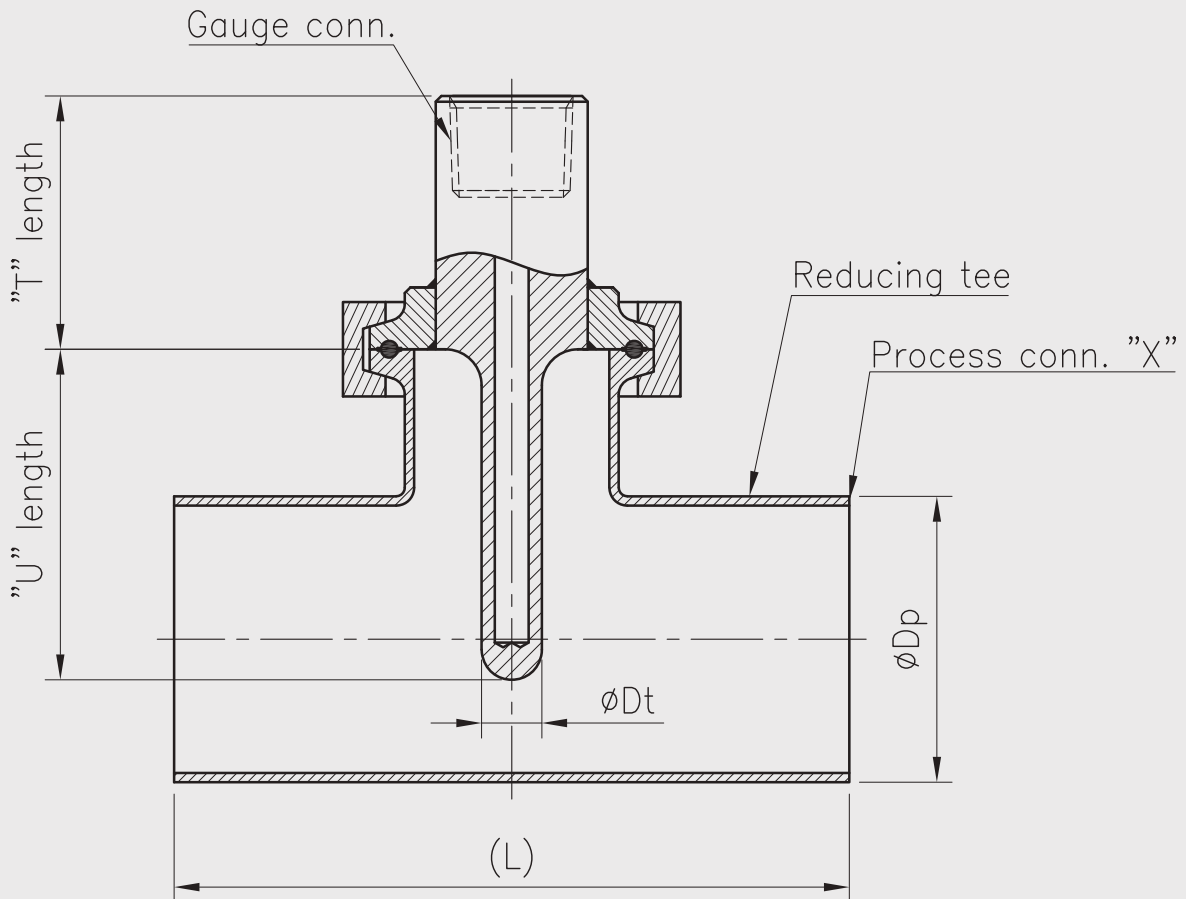
A7100 : Standard product drawing (1/2)

* 1/2" ~ 1 1/2"



X	øDp	A	B	U
1/2"	12.7	18	12.7	5.4
3/4"	19.05	19.05	19.05	8.9
1"	25.4	25.4	25.4	12.1
1 1/2"	38.1	38.1	38.1	18.4

* 2" ~ 4"



X	ϕDp	L	U
2"	50.8	146.1	48
2 1/2"	63.5	158.8	55
3"	76.2	171.4	61
4"	101.6	209.6	74