

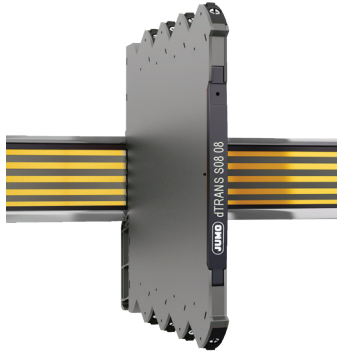
JUMO GmbH & Co. KG
 Delivery address: Mackenrodtstraße 14
 36039 Fulda, Germany
 Postal address: 36035 Fulda, Germany
 Phone: +49 661 6003-0
 Fax: +49 661 6003-607
 Email: mail@jumo.net
 Internet: www.jumo.net

JUMO Instrument Co. Ltd.
 JUMO House
 Temple Bank, Riverway
 Harlow, Essex CM 20 2DY, UK
 Phone: +44 1279 63 55 33
 Fax: +44 1279 62 50 29
 Email: sales@jumo.co.uk
 Internet: www.jumo.co.uk

JUMO Process Control, Inc.
 6733 Myers Road
 East Syracuse, NY 13057, USA
 Phone: +1 315 437 5866
 Fax: +1 315 437 5860
 Email: info.us@jumo.net
 Internet: www.jumousa.com



Data Sheet 707208



JUMO dTRANS S08 08 Signal isolator/splitter (mA)

707208

- Isolation and conversion of current signals
- Slimline housing of 6 mm
- Response time <7 ms
- Splitter function: 1 in - 2 out
- Simple - no setup needed



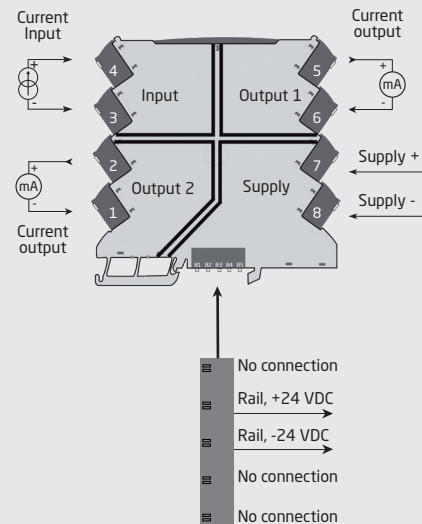
Application

- Isolation and conversion of standard DC signals.
- Galvanic separation of analog current signals.
- Elimination of ground loops and measurement of floating signals.
- A competitive choice in terms of both price and technology for galvanic isolation of current signals to SCADA systems or PLC equipment.
- Installation in ATEX Ex zone 2 / IECEx Zone 2.
- Suitable for environments with high vibration stress, e.g. ships.

Technical characteristics

- The input is protected against overvoltage and polarity error.
- Factory-calibrated measurement ranges.
- Inputs and outputs are floating and galvanically separated.

Applications



Safe Area or Zone 2 & Cl. 1, Div. 2, gr. A-D

Order

Type	Product name	Description	Part no./TN (order code)
707208	JUMO dTRANS S08 08	Signal isolator/splitter (mA)	00697485

Environmental Conditions

Operating temperature	-25°C to +70°C
Storage temperature.....	-40°C to +85°C
Calibration temperature.....	20...28°C
Relative humidity	< 95% RH (non-cond.)
Protection degree	IP20
Installation in.....	Pollution degree 2 & measurement / overvoltage cat. II

Mechanical specifications

Dimensions (HxWxD).....	113 x 6.1 x 115 mm
Weight approx	70 g
DIN rail type.....	DIN EN 60715/35 mm
Wire size.....	0.13 x 2.5 mm ² / AWG 26...12 stranded wire
Screw terminal torque.....	0.5 Nm
2...25 Hz	±1.6 mm
25...100 Hz	±4 g

Common specifications

Supply	
Supply voltage	16.8...31.2 VDC
Max. required power.....	0.80 W
Internal power dissipation.....	0.4 W (typ.) / 0.65 W (max.)

Isolation voltage

Isolation voltage, test / working	2.5 kVAC / 300 VAC (reinforced)
Zone 2 / Div. 2	250 VAC

Response time

Response time (0...90%, 100...10%).....	< 7 ms
Signal / noise ratio	> 60 dB
Cut-off frequency (3 dB).....	> 100 Hz
Accuracy	Better than 0.05%
Temperature coefficient	< ±0.01% of span / °C
EMC immunity influence.....	< ±0.5% of span
Extended EMC immunity: NAMUR	
NE21, A criterion, burst.....	< ±1% of span

Input specifications

Current input

Measurement range	0...23 mA
Input voltage drop.....	< 1.5 VDC

Output specifications

Current output

Signal range	0...23 mA
Load (@ current output).....	≤ 300 Ω
Load stability.....	≤ 0.002% of span / 100 Ω
Current limit	≤ 28 mA
of span.....	= 0...20 mA

I.S. / Ex marking

ATEX	II 3 G Ex nA IIC T4 Gc
IECEX	Ex nA IIC T4 Gc

Observed authority requirements

EMC.....	2014/30/EU
LVD.....	2014/35/EU
RoHS.....	2011/65/EU

Approvals

ATEX 2014/34/EU	DEKRA 18ATEX0007 X
IECEX	DEK 18.0006 X
DNV-GL Marine	DNVGL-CG-0339
UL	E201387