

JUMO GmbH & Co. KG

Delivery address: Mackenrodtstraße 14
36039 Fulda, Germany
Postal address: 36035 Fulda, Germany
Phone: +49 661 6003-0
Fax: +49 661 6003-607
Email: mail@jumo.net
Internet: www.jumo.net

JUMO UK LTD

JUMO House
Temple Bank, Riverway
Harlow, Essex, CM20 2DY, UK
Phone: +44 1279 63 55 33
Fax: +44 1279 62 50 29
Email: sales@jumo.co.uk
Internet: www.jumo.co.uk

JUMO Process Control, Inc.

6724 Joy Road
East Syracuse, NY 13057, USA
Phone: +1 315 437 5866
Fax: +1 315 437 5860
Email: info.us@jumo.net
Internet: www.jumousa.com



JUMO MIDAS C09 CA

OEM pressure transmitter – compressed air

Areas of application

- Air application

Special features

- Cost-efficient
- Lightweight-optimized
- Long-term stability and resistant to overload
- Compact design
- Custom-fit measuring ranges

Description

The pressure transmitter measures the pressure of gaseous media. The device is suitable for mounting in closed systems.



Type 401004

JUMO GmbH & Co. KG
 Delivery address: Mackenrodtstraße 14
 36039 Fulda, Germany
 Postal address: 36035 Fulda, Germany
 Phone: +49 661 6003-0
 Fax: +49 661 6003-607
 Email: mail@jumo.net
 Internet: www.jumo.net

JUMO UK LTD
 JUMO House
 Temple Bank, Riverway
 Harlow, Essex, CM20 2DY, UK
 Phone: +44 1279 63 55 33
 Fax: +44 1279 62 50 29
 Email: sales@jumo.co.uk
 Internet: www.jumo.co.uk

JUMO Process Control, Inc.
 6724 Joy Road
 East Syracuse, NY 13057, USA
 Phone: +1 315 437 5866
 Fax: +1 315 437 5860
 Email: info.us@jumo.net
 Internet: www.jumousa.com



Technical data

Electrical safety

Requirements	DIN EN 61010-1 The device must be equipped with an electrical circuit that meets the requirements with regard to "Limited-energy circuits".
--------------	--

Electrical data

Voltage supply	DC 5 ±0.25 V ^a
Current consumption	≤ 3 mA
Electrical circuit	SELV
Behavior after power on	Ready for operation in < 100 ms
Reverse-polarity protection	Yes
Overvoltage resistance	> DC 30 V
Insulation resistance	> 100 MΩ at DC 500 V
Insulation voltage	AC 500 V

^a Residual ripple: The voltage peaks must not exceed or fall below the specified voltage supply values.

Inputs

Measuring range and accuracy

Measuring range	Linearity ^a % MSP ^f	Accuracy with		long-term stability ^b % MSP per year	Overload capability ^c bar	Burst pressure bar	
		20 °C ^d % MSP	0 to 80 °C ^e % MSP				
-1 to +5 bar relative pressure	0.4	0.5	1.1	≤ 0.3	15	30	
-1 to +10 bar relative pressure			0.8		35	60	
-1 to +17 bar relative pressure			1.1		12	24	
0 to 3 bar relative pressure			0.8		35	60	
0 to 4 bar relative pressure							
0 to 17 bar relative pressure							

^a Linearity according to limit point setting

^b Reference conditions EN 61298-1

^c All pressure transmitters are vacuum proof.

^d Includes: linearity, hysteresis, repeatability, deviation of measuring range start value and measuring range end value

^e Includes: linearity, hysteresis, repeatability, deviation of measuring range start value and measuring range end value, thermal effect on measuring range start and measuring span

^f MSP = measuring span

JUMO GmbH & Co. KG
 Delivery address: Mackenrodtstraße 14
 36039 Fulda, Germany
 Postal address: 36035 Fulda, Germany
 Phone: +49 661 6003-0
 Fax: +49 661 6003-607
 Email: mail@jumo.net
 Internet: www.jumo.net

JUMO UK LTD
 JUMO House
 Temple Bank, Riverway
 Harlow, Essex, CM20 2DY, UK
 Phone: +44 1279 63 55 33
 Fax: +44 1279 62 50 29
 Email: sales@jumo.co.uk
 Internet: www.jumo.co.uk

JUMO Process Control, Inc.
 6724 Joy Road
 East Syracuse, NY 13057, USA
 Phone: +1 315 437 5866
 Fax: +1 315 437 5860
 Email: info.us@jumo.net
 Internet: www.jumousa.com



Outputs

Analog output

Output	DC 0.5 to 4.5 V, three-wire, ratiometric output 10°to°90% of the voltage supply
Burden	$R_L \leq 5 \text{ k}\Omega$
Step response t_{90}	< 3 ms

Environmental influences

Admissible temperatures	
Ambient temperature	-20 to +100 °C
Medium temperature	0 to 120 °C ^a
Storage temperature	-30 to +100 °C
Admissible relative humidity	90 % relative humidity without condensation
Protection type	IP65
Admissible mechanical loads	DIN EN 60068-2-6, DIN EN 60068-2-27
Vibration strength	10 to 2000 Hz, 2 m/s ²
Shock resistance	50 m/s ² , 11 ms
Electromagnetic compatibility (EMC)	DIN EN 61326-2-3:2022
Interference emission	Class B ^b
Interference immunity	Industrial requirement

^a Up to 135 °C at an ambient temperature of max. 90 °C.

^b The product is suitable for industrial use as well as for households and small businesses.

Mechanical features

Materials	
Parts that come into contact with the pressure medium	
Process connection	Aluminum
Seals ^a	FPM
Sensor	96 % Al ₂ O ₃
Housing	PA66
Installation position	Any
Calibration position	Device upright, process connection at the bottom
Weight	Approx. 27 g with process connection 511
Admissible load changes	> 10 million, 0 to 100 % measuring range

^a Note the medium durability of the selected seal material!

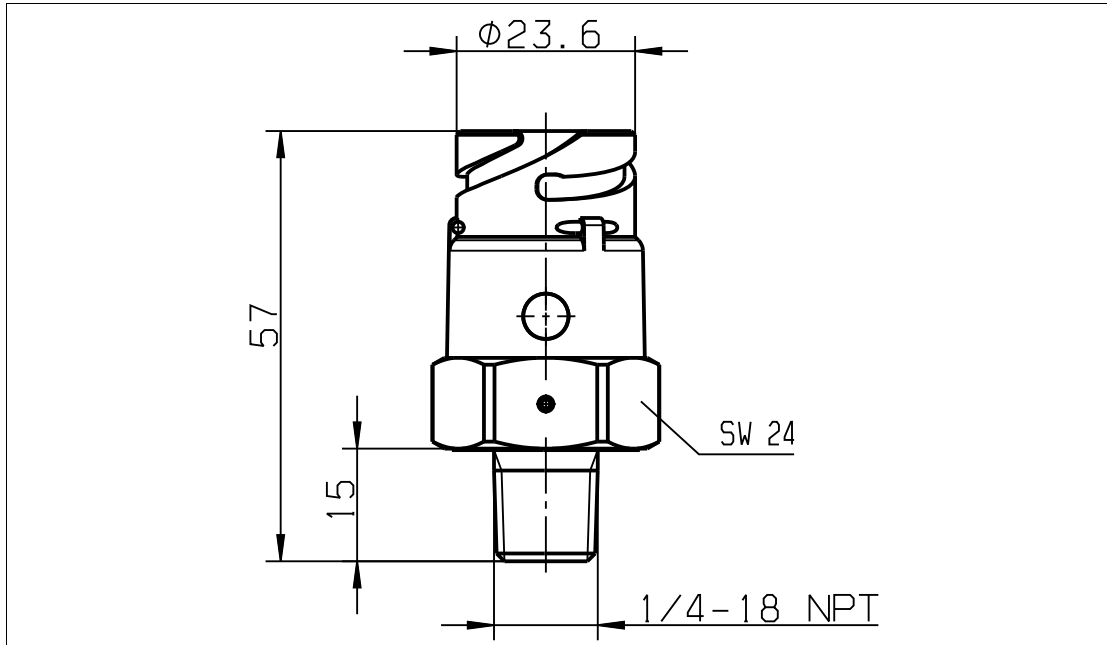
JUMO GmbH & Co. KG
Delivery address: Mackenrodtstraße 14
36039 Fulda, Germany
Postal address: 36035 Fulda, Germany
Phone: +49 661 6003-0
Fax: +49 661 6003-607
Email: mail@jumo.net
Internet: www.jumo.net

JUMO UK LTD
JUMO House
Temple Bank, Riverway
Harlow, Essex, CM20 2DY, UK
Phone: +44 1279 63 55 33
Fax: +44 1279 62 50 29
Email: sales@jumo.co.uk
Internet: www.jumo.co.uk

JUMO Process Control, Inc.
6724 Joy Road
East Syracuse, NY 13057, USA
Phone: +1 315 437 5866
Fax: +1 315 437 5860
Email: info.us@jumo.net
Internet: www.jumousa.com



Dimensions



JUMO GmbH & Co. KG
 Delivery address: Mackenrodtstraße 14
 36039 Fulda, Germany
 Postal address: 36035 Fulda, Germany
 Phone: +49 661 6003-0
 Fax: +49 661 6003-607
 Email: mail@jumo.net
 Internet: www.jumo.net

JUMO UK LTD
 JUMO House
 Temple Bank, Riverway
 Harlow, Essex, CM20 2DY, UK
 Phone: +44 1279 63 55 33
 Fax: +44 1279 62 50 29
 Email: sales@jumo.co.uk
 Internet: www.jumo.co.uk

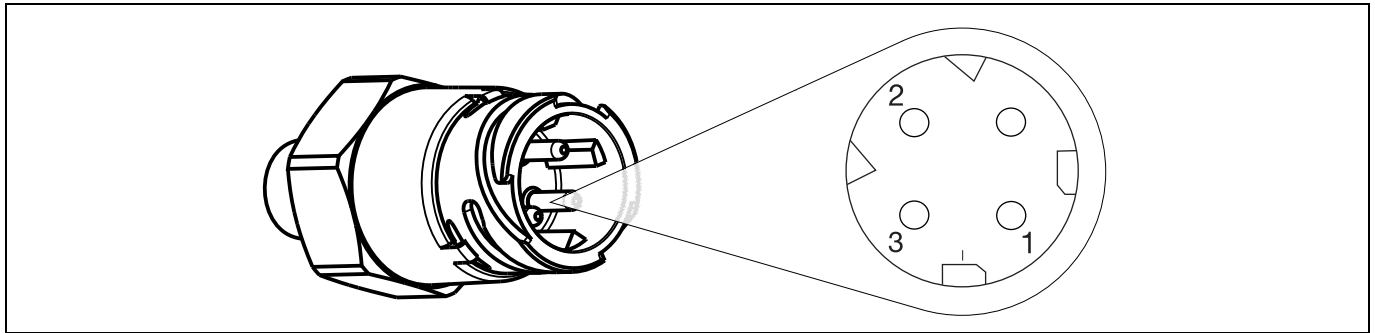
JUMO Process Control, Inc.
 6724 Joy Road
 East Syracuse, NY 13057, USA
 Phone: +1 315 437 5866
 Fax: +1 315 437 5860
 Email: info.us@jumo.net
 Internet: www.jumousa.com



Connection elements

The connection elements in the data sheet provide information on product selection.

For the electrical connection, only use the installation instructions or the operating manual.



Device

Bayonet connector

Terminal assignment

Bayonet connector

Designation	Description	Assignment
Voltage supply DC 3 V to 5.25 V	U _B	1
Ratiometric output 10 to 90 % of the voltage supply	0 V/S-	2
	S+	3

