

Explosion proof thermocouple & RTD RS series

R920 series



Contents

1. General items	2
1.1 Introduction.....	2
1.2 Application	2
1.3 Warranty	2
2. Warning	3
3. Main specs	4
3.1 Explosion-proof.....	4
3.2 Protection grade	4
3.3 Temperature sensor types	4
3.4 Accuracy and tolerances	4
4. Design	6
4.1 Structure	6
4.1.1 Spring loaded type	6
4.2 Head	6
4.3 Detector unit and process connection unit material	7
4.4 Process connection unit	7
4.4.1 Sheathed cable (MI cable) type.....	7
4.5 Relationship between process connection unit length and head temperature increase....	8
5. Installation guide	9
5.1 Pre-installation checks and precautions.....	9
5.2 Installation requirement	9
6. Wiring	11
6.1 Extension & compensation wire	11
6.1.1 Thermocouple(TC)	11
6.1.2 Resistance thermometer detector(RTD)	11
6.2 Precaution for wiring.....	12
6.3 Terminal block wiring.....	13
6.3.1 Thermocouple (TC)	13
6.3.2 Resistance thermometer detector (RTD)	13
6.4 International color code table	14
7. Name plate	15
7.1 Name plate indications	15
8. Repair and maintenance	16
9. Defect	16
10. User's duties.....	17
11. Product return.....	17

1. General items

1.1 Introduction

WISE Control Inc. temperature sensors and thermowells are precisely fabricated according to customer specifications. The RS series (R920) is an explosion-proof product designed as a spring roded type to maximize heat transfer between the detector unit and thermowell. The products must be tested and stored in appropriate locations, and the requirements provided in the documentation, test reports and handling manuals, etc., must be adhered to in order to maintain optimum state during the duration of use.

1.2 Application

Temperature sensors are used for temperature measurements in various processes. Measured values are used for indication, recording and control in control panels or process systems. Depending on the process situation, an appropriate thermowell may be selected and used, or a temperature sensor may be inserted directly into a pipe without a thermowell. The thermowell is designed to protect a thermometer or temperature sensor from fluid flow velocity, pressure and corrosion, etc., inside pipes. The design prevents leakage of fluid from inside the pipe when a malfunctioning sensor is being replaced. The user is responsible for selecting the appropriate thermowell for the process at hand. WISE Control Inc. may provide advice when selecting products, but will not be held liable for mis-selection of product.

1.3 Warranty

If one causes damage to the product due to failures to comply with the user manual, or if one arbitrarily remodels it, changes or repairs the product, the manufacturer will not be responsible for it, and the product warranty period will expire.

2. Warning

Guide on handling for safe use

For the safe and correct use of the product, make sure to read the handling guide carefully before use. Handling errors can cause device malfunctions, and it can lead to injury, accidents, etc.

Warning

- 1) For the safety, only a worker with professional skills in electronics and electrical construction is allowed to install the product
- 2) Make sure to use the product within the rated input/output range set in the specifications
- 3) Install the product in the environment of use indicated in the specifications.
- 4) Install wiring in accordance with the indoor wiring provisions and the Technical Standard for Electrical Installations.
- 5) Make sure power has been cut off before performing wiring work.
- 6) Use wires with a sheath-insulated crimp terminal at the end.
- 7) Cable glands of the same explosion proof grade or higher.
- 8) Do not disassemble the product under any circumstances.
- 9) Use the product in the permissible temperature range.
- 10) Do not apply excessive loads, vibrations, or impacts.
- 11) When selecting a thermowell for the product, select a thermowell appropriate to the usage conditions and environment.
- 12) The customer is responsible for mis-selection of thermowells.
- 13) Do not grab the head and turn it. Using a tool, hold the hexagonal screw parts to turn it.
- 14) O-ring can cause changes over time or characteristics change, and it can lead to a loss of necessary functions for sealing, thus it requires periodic replacement, and in general, it is recommended to replace it every 5 years.

3. Main specs

3.1 Explosion-proof

- Model: R920 (RS series)
- Explosion-proofing grade: Ex d IIC T6
Ex tD A21 T85°C
- Explosion-proofing technology: IEC 60079-0, IEC 60079-1, IEC 61241-0, IEC 61241-1

3.2 Protection grade

- IP65
- With thermowell : IP66, IP67

3.3 Temperature sensor types

- Thermocouple (TC): K, E, J, T, N, B type
- Resistance thermometer detector (RTD): Pt100Ω at 0°C

3.4 Accuracy and tolerances

- Thermocouple (TC)
Class 1, Class 2 (DIN/IEC584-2, BS/EN60584-2, JIS C1602)
Special, Standard (ASTM E230, E988, ISA-MC96.1)
- Resistance thermometer detector (RTD)
Class A : $\pm (0.15 + 0.002 |t|)$
Class B : $\pm (0.3 + 0.005 |t|)$

Please consult the table below for details.

1) Thermocouple (TC): Class 1,2,3(IEC/EN 60584-2) or Standard / Special(ASTM E230, ANSI MC 96.1)

Type	Class	Temperature range	Maximum deviation
K	Standard	-200 ~ 0 °C	The greater of ± 2.2 °C or $\pm 2\%$
		0 ~ 1260 °C	The greater of ± 2.2 °C or $\pm 0.75\%$
	Special	0 ~ 1260 °C	The greater of ± 1.1 °C or $\pm 0.4\%$
E	Standard	-200 ~ 0 °C	The greater of ± 1.7 °C or $\pm 1\%$
		0 ~ 870 °C	The greater of ± 1.7 °C or $\pm 0.5\%$
	Special	0 ~ 870 °C	The greater of ± 1.0 °C or $\pm 0.4\%$
B	Standard	870 ~ 1700 °C	$\pm 0.5\%$
	Special	870 ~ 1700 °C	$\pm 0.25\%$
R	Standard	0 ~ 1480 °C	The greater of ± 1.5 °C or $\pm 0.25\%$
	Special	0 ~ 1480 °C	The greater of ± 0.6 °C or $\pm 0.1\%$
S	Standard	0 ~ 1480 °C	The greater of ± 1.5 °C or $\pm 0.25\%$
	Special	0 ~ 1480 °C	The greater of ± 0.6 °C or $\pm 0.1\%$
N	Standard	0 ~ 1260 °C	The greater of ± 2.2 °C or $\pm 0.75\%$
	Special	0 ~ 1260 °C	The greater of ± 1.1 °C or $\pm 0.4\%$
T	Standard	-200 ~ 0 °C	The greater of ± 1.0 °C or $\pm 1.5\%$
		0 ~ 370 °C	The greater of ± 1.0 °C or $\pm 0.75\%$
	Special	0 ~ 370 °C	The greater of ± 0.5 °C or $\pm 0.4\%$
J	Standard	0 ~ 760 °C	The greater of ± 2.2 °C or $\pm 0.75\%$
	Special	0 ~ 760 °C	The greater of ± 1.1 °C or $\pm 0.4\%$

*Note.

Each model has different certification types. See “3.3 Temperature sensor types” and look up the certifications for the applicable type in the table.

2) Resistance thermometer detector (RTD): Class A, B (IEC/EN 60751)

Tolerance class	Temperature range of validity (°C)		Tolerance value (°C)
	For wire wound resistors	For film resistors	
A	-100 to +450	-30 to +300	$\pm (0.15 + 0.002 t)$
B	-196 to +600	-50 to +500	$\pm (0.3 + 0.005 t)$

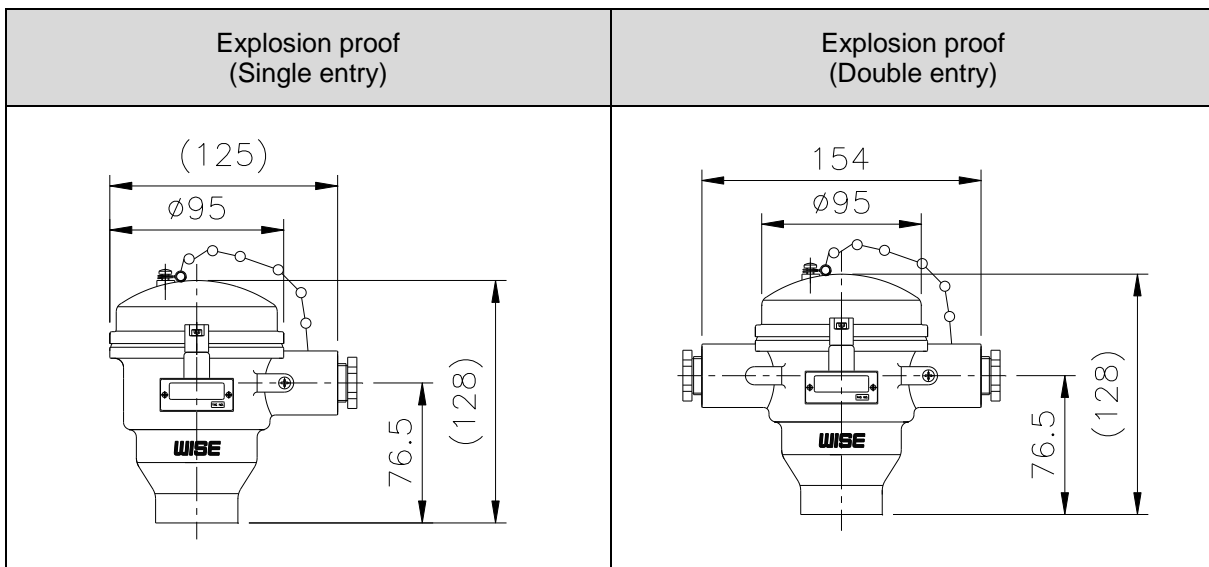
4. Design

4.1 Structure

4.1.1 Spring loaded type

In the spring-loaded type, a spring is installed inside the head, and the load from the spring allows the sensor to maintain maximum contact. Detection response time is faster compared to the basic type. Spring-loaded type sensors are not sealed to allow for movement of the detector unit, and are typically installed together with a thermowell appropriate to the use environment. When installing the temperature sensor directly, contact between the process fluid and temperature sensor should be avoided, or a sealed type sensor should be used instead.

4.2 Head



Warning: Certified explosion proof cable glands must be used when installing in hazardous areas. See the <Table: Head information> below for the types of cables that may be connected.

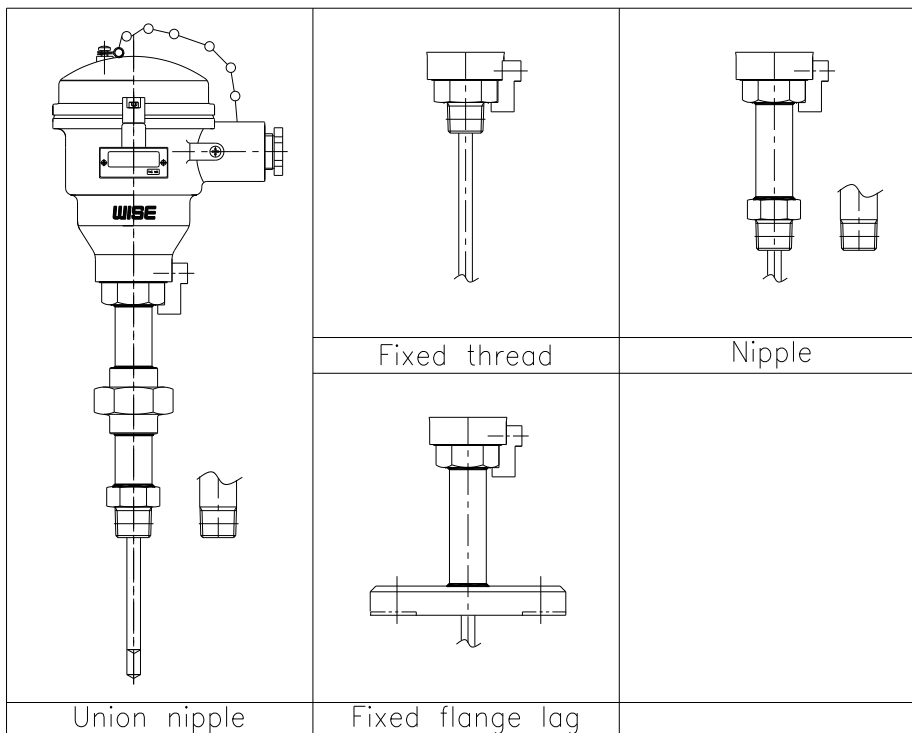
Head	Head material	Head thread (Cable entry size)	Conduit adaptor	Conduit adaptor material
Explosion proof (Single/Dual entry type)	ALDC12.1 (Single entry)	PF 1/2, PF 3/4, NPT 1/2, NPT 3/4	NPT 1/2, NPT 3/4 M20x1.5P PT (unavailable)	Brass+Ni.plating 316SS
	316SS	PF 1/2		
	AC4C (Dual entry)	PF 1/2		

4.3 Detector unit and process connection unit material

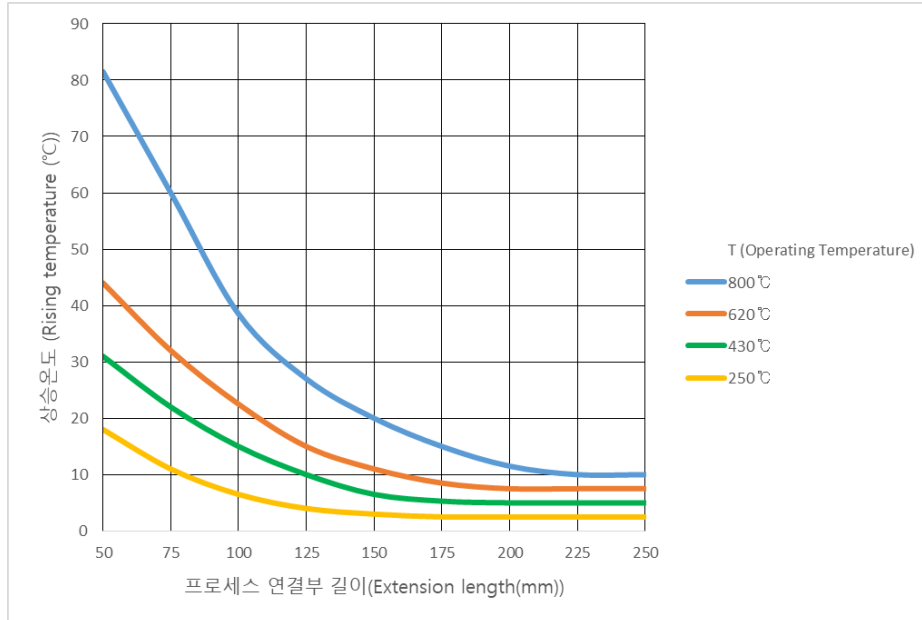
Metal			
Material	Usage temperature (°C)	Max. temperature (°C)	Characteristic
304SS	900	1000	Typically used in thermowells to protect against heat and corrosion. Direct use in sulfurous environments or reducing flame is not recommended.
316SS	900	1000	Contains Mo for outstanding heat, acid and alkaline resistance.
316L SS	950	1050	Less carbon content than 316. Better acid and alkaline resistance than 316SS.
321SS	900	1000	Weak sulfur and reducing heat resistance. Outstanding corrosion and heat resistance
310SS	950	1050	High Ni and Cr content, with optimal high-temperature strength with high heat and oxidation resistance.
347SS	900	1000	Contains Nb-Ta for better corrosion resistance than 304SS. Outstanding resistance to fine surface corrosion.
446SS	1050	1125	High Cr steel with outstanding resistance to oxidizing and reducing atmospheres containing sulfur. Suitable for salt baths, castings and other high-temperature environments.
Inconel600	1180	1250	High Cr and Ni steel with outstanding resistance to oxidizing and reducing atmospheres at high temperature. Cannot be used in sulfurous atmospheres.

4.4 Process connection unit

4.4.1 Sheathed cable (MI cable) type



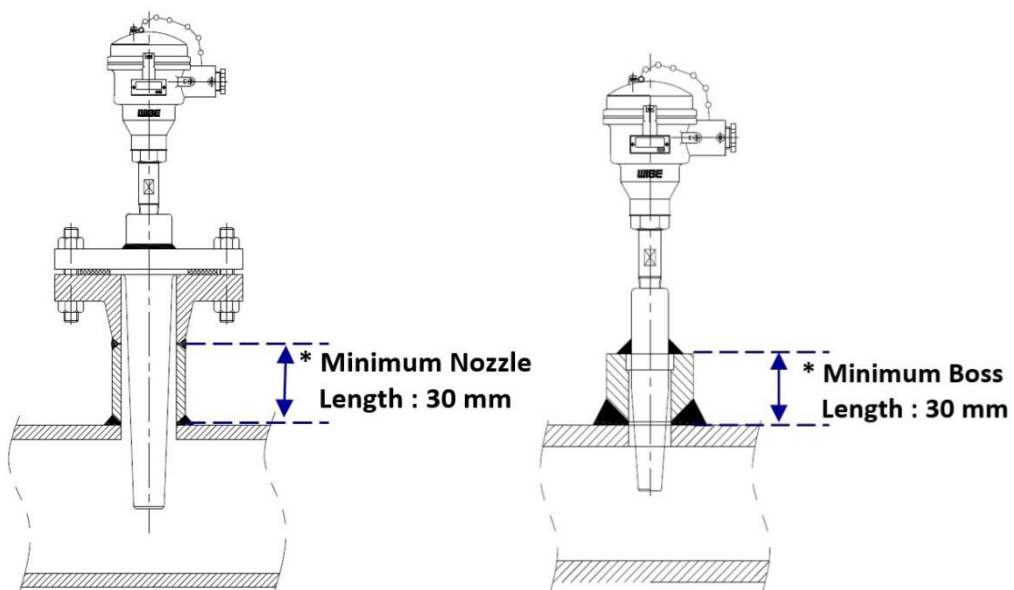
4.5 Relationship between process connection unit length and head temperature increase



- 1) T: Operating temperature)
- 2) Process extension length: Distance between thermowell or process line to

* The process extension length of units installed in explosion proof areas must be sufficient to keep the temperature increase at less than 20°C

※ Caution: When installing a temperature sensor unit to satisfy the surface temperature condition (T6: 85°C), please proceed according to the figure below



5. Installation guide

5.1 Pre-installation checks and precautions

- 1) Beware of disconnection of the lead wire during storage and transport.
- 2) Check for disconnection using a tester prior to installation of the product.
- 3) Use a Megger (Megohmmeter) to measure and confirm that insulation resistance is within normal range prior to installation of the product.
- 4) When transporting the sensor assembly to the tank and attaching to the nozzle, avoid applying external physical force (compression, impact, etc.) on the sheathed cable (MI cable).
- 5) Check that the protection cover and thermocouple are free of scratches, cut marks, oil or other contaminants.

(Even tiny amounts of foreign matter can decrease the accuracy of measurements.)

5.2 Installation requirement

- 1) Do not pull on or push the sheathed cable (MI cable) when installing or disassembling the product.
- 2) For products attached to comp' fittings do not loosen screws during operation. Attach the comp' fittings to the temperature sensor prior to installation.
- 3) For products attached to comp' fittings, be careful not to pull or turn the sheathed cable (MI cable) when attaching or detaching components with the product in an assembled state. (Can be the cause of leaks)
- 4) When installing a temperature sensor in an existing thermowell, inspect the inside of the thermowell for obstructions before inserting the temperature sensor to prevent damage to the temperature sensor or sparks due to friction during installation.
- 5) When installing in direct contact with the process, check that the external loads applied to not cause deformation of the instrumentation and welded parts

- 6) Additional load and vibration from other elements of the plant can impact the operation of sensor components. Load from installation in areas with vibration may damage the operation of the sensor element.
- 7) The end user must ensure that the instrumental has been appropriately installed so that the allowed limits are not exceeded.

*Note.

Please consult the thermowell manual for temperature sensor installation conditions and installation locations.

6. Wiring

6.1 Extension & compensation wire

This type of cable used for temperature measurement. A wire of the same material (extension) as the thermocouple(TC) or a material having thermoelectric power characteristics as the thermocouple(TC) is extended to the terminal of the instrument. A compensation wire provides the same temperature compensation effect as an extension of the thermocouple(TC). Depending on the use environment and conditions, different insulation and sheathing materials may be used, including low-temperature, high-temperature, humidity-resistant, oil-resistant, and flex-resistant materials.

6.1.1 Thermocouple(TC)

- The wire is made of the same material as the thermocouple(TC), and indicates the same temperature measurement as the thermocouple(TC).
- Temperature is measured using the change in voltage (ΔV) according to temperature changes. Therefore, sufficient consideration must be given to voltage drop when selecting the unit.

6.1.2 Resistance thermometer detector(RTD)

- Temperature is measured using the change in resistance (Ω) according to temperature.
- Resistance thermometer detector (RTD) cables are selected as 3-wire or 4-wire, and one end of the shielding wire must be grounded.

Type	Conductor	Insulator	Shielding
Thermocouple (TC)	By thermocouple type	Glass braiding	Tinned braided wire
		Teflon	Teflon
		Vinyl (PVC)	Vinyl (PVC)
Resistance thermometer detector (RTD)	Tinned copper wire	Glass braiding	Tinned braided wire
		Teflon	Tinned braided wire
		Vinyl (PVC)	Vinyl (PVC)

- 1) Extension & compensation wire having specs appropriate for measuring temperature sensor signals must be selected and used.
- 2) Voltage flow must be given consideration when deciding cable thickness.

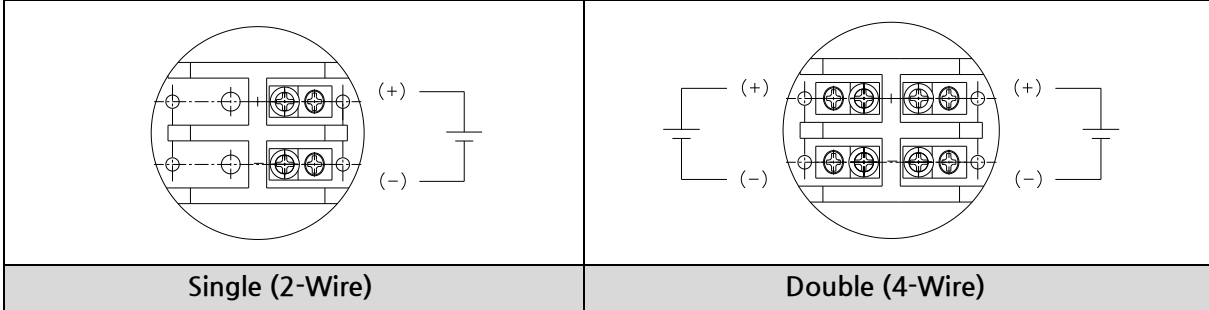
- 3) The external covering material must be selected appropriately for the installation environment.
- 4) If there are outdoor wiring sections, do not use glass sheathing. Humidity may reduce insulation resistance and cause measuring errors.
- 5) Cables shall be protected from damage such as breakage or cutting by the surrounding environment.
- 6) Exercise caution to prevent folding or knitting of cable.

6.2 Precaution for wiring

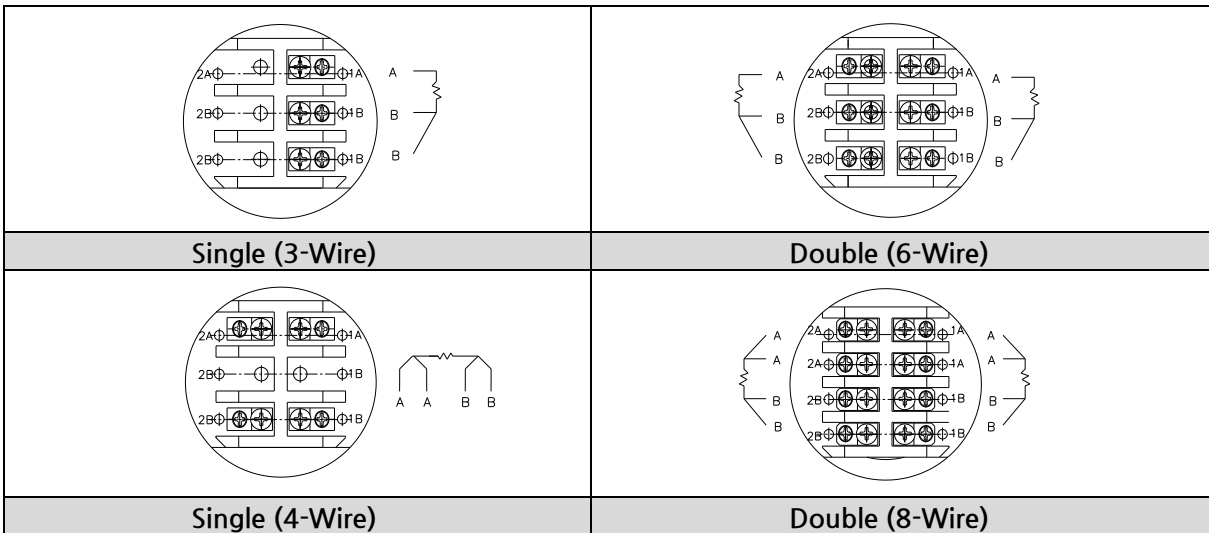
- 1) Make sure to cut off power before wiring product with an explosion proof grade.
- 2) Connect thermocouples (TC) after checking polarity (+/-). Wire resistance temperature detectors (RTD) after disconnecting the A/B/B (3-wire) terminal.
- 3) Attach the end of the compensation wire and cable to the terminal block using crimp terminals. Tightly fasten the screws.
- 4) When wiring to a transmitter, adhere to the wiring instructions given in the user manual for the transmitter.
- 5) For equipment with an explosion proof grade, make sure the cover does not open during operation. Tighten the locking apparatus.
- 6) Earthing
 - Use aluminum earthing terminals to prevent corrosion.
 - Use 304SS earthing bolts.
 - Use spring washers to prevent loosening of the earthing terminals.
 - When using external earthing terminals, check the connectors and use an appropriate earthing line.
- 7) After making the connections, inspect to ensure that the power supply and signal cables have been connected properly.

6.3 Terminal block wiring

6.3.1 Thermocouple (TC)



6.3.2 Resistance thermometer detector (RTD)



6.4 International color code table

See the table below when connecting the product.

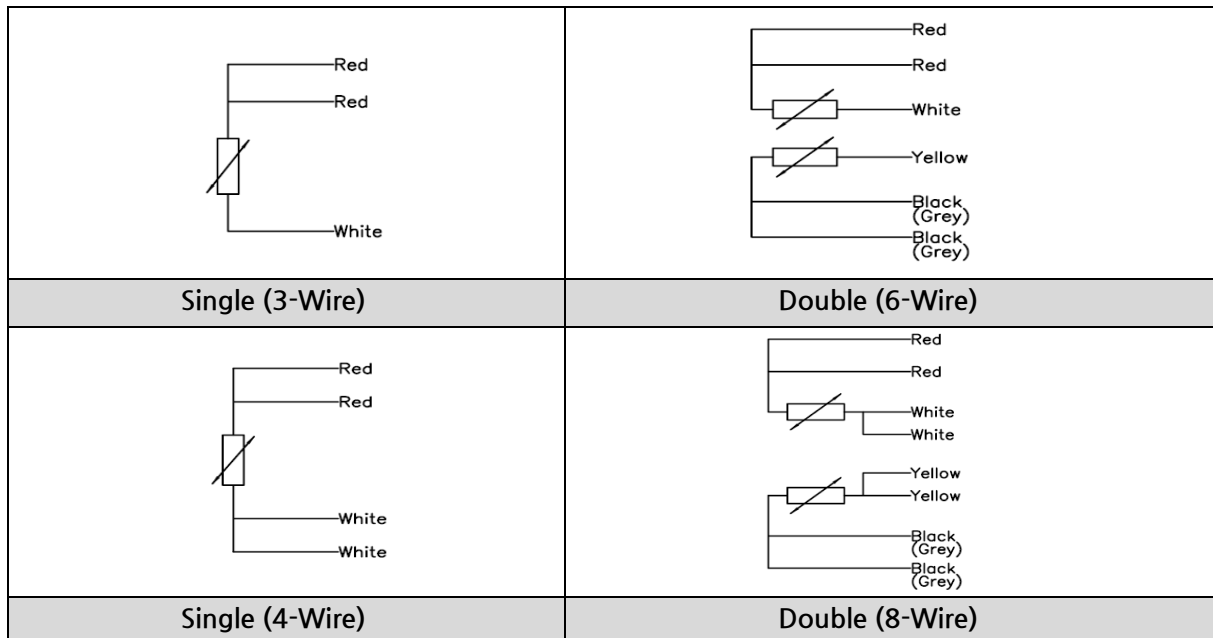
(Different colors may be used according to customer requirements.)

■ Thermocouple(TC)

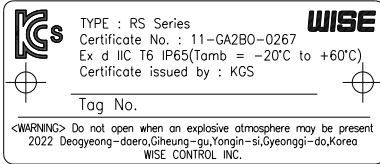
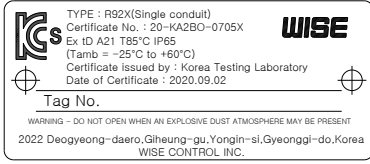
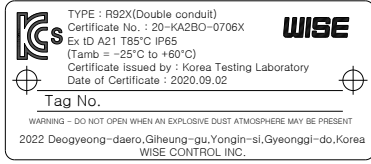
Type	EN (IEC 60584-3)		ANSI(ISA MC96.1)		JIS C 1610 (KS C 1609)	
	(+)	(-)	(+)	(-)	(+)	(-)
T	Brown	White	Blue	Red	Red	White
E	Violet(Purple)	White	Purple	Red	Red	White
J	Black	White	White	Red	Red	White
K	Green	White	Yellow	Red	Red	White
N	Pink	White	Orange	Red	Red	White
B	Grey	White	Grey	Red	Red	White
R	Orange	White	Black	Red	Red	White
S	Orange	White	Black	Red	Red	White

■ Resistance thermometer detector (RTD)

IEC/EN 60751 standard applied (see applicable colors for the KS C 1603 standard)



7. Name plate

 <p>TYPE : RS Series Certificate No. : 11-GA2BO-0267 Ex d IIC T6 IP65(Tamb = -20°C to +60°C) Certificate issued by : KGS</p> <p>Tag No. _____</p> <p><WARNING> Do not open when an explosive atmosphere may be present 2022 Deogyong-daero, Giheung-gu, Yongin-si, Gyeonggi-do, Korea WISE CONTROL INC.</p>	 <p>TYPE : R92X(Single conduit) Certificate No. : 20-KA2BO-0705X Ex tD A21 T85°C IP65 (Tamb = -25°C to +60°C) Certificate issued by : Korea Testing Laboratory Date of Certificate : 2020.09.02</p> <p>Tag No. _____</p> <p>WARNING - DO NOT OPEN WHEN AN EXPLOSIVE DUST ATMOSPHERE MAY BE PRESENT 2022 Deogyong-daero, Giheung-gu, Yongin-si, Gyeonggi-do, Korea WISE CONTROL INC.</p>	 <p>TYPE : R92X(Double conduit) Certificate No. : 20-KA2BO-0706X Ex tD A21 T85°C IP65 (Tamb = -25°C to +60°C) Certificate issued by : Korea Testing Laboratory Date of Certificate : 2020.09.02</p> <p>Tag No. _____</p> <p>WARNING - DO NOT OPEN WHEN AN EXPLOSIVE DUST ATMOSPHERE MAY BE PRESENT 2022 Deogyong-daero, Giheung-gu, Yongin-si, Gyeonggi-do, Korea WISE CONTROL INC.</p>
KCs Ex d	KTL Ex tD (Single conduit)	KTL Ex tD (Double conduit)

- Certified explosion proof products have passed confirmation testing, and have the same specs as submitted to the certification lab.
- The model name is subject to change depending on explosion proof rating certification.

7.1 Name plate indications

- Explosion-proofing structure and grade: Ex d IIC T6 IP65 (Ex d)
Ex tD A21 T85°C IP65 (Ex tD)
- Ambient temperature conditions: $-20\text{ }^{\circ}\text{C} \leq Ta \leq 60\text{ }^{\circ}\text{C}$
 $-25\text{ }^{\circ}\text{C} \leq Ta \leq 60\text{ }^{\circ}\text{C}$ (Ex tD)
- Stable certification mark and certification information (certification number, certification body, certification date) are separately specified on the nameplate.
- Warning: Do not open when an explosive atmosphere may be present.
- Tag No. (Identification number)

8. Repair and maintenance

Temperature sensors typically do not require maintenance. Only skilled personnel may carry out maintenance and repair activities when necessary, and Wise Co., Ltd. may provide support for maintenance and repair.

■ Repairs

Repairs may be carried out only by Wise Co., Ltd. or a component manufacturer.

■ Calibration

The accuracy of a temperature sensor may be confirmed through comparative measurements.

Accuracy must be maintained through checks performed at regular intervals. Testing and calibration must be carried out using suitable test equipment, and by qualified personnel.

Wise Co., Ltd may provide calibration services.

9. Defect

Defect	Cause	Response
Damaged line and no signal	Excessive mechanical load or overheating	Replace with sensor unit of appropriate structure
Inaccurate measurement	Overheat, or decreased sensor accuracy due to overheating of chemical substances	Use thermowell
Signal interference	Drift current due to ground loop or electrical field	Used shielded connection cable, increase distance from motor and power line Remove electric potential and use galvanic insulated transmitter or barrier
Long response time	Improper installation location	Adjust process line installation location or insertion depth
	Inappropriate thermowell size	Select thermowell with dimensions usable with the process line
Corrosion	Improper material selected for inserted components or thermowell	Select material compatible with process

If the defect cannot be removed through the measures listed above, immediately shut down the equipment. Confirm that all pressure has been released and no signal is output, and protect the equipment to prevent restarting. In this case, please contact the manufacturer.

If it is necessary to return the equipment, please follow the instructions in Chapter 11, "Returns".

10. User's duties

Temperature sensor products are used in high temperatures and corrosive environments. The right product must be selected based on various safety considerations. For all temperature sensors designs, proper installation is the most important.

Incorrect installation can eventually lead to an inaccurate reading of temperature.

Wise Co., Ltd. can support users' selection but will not be responsible for them in any sort of way.

11. Product return

- 1) If the product gets returned for recalibration or repair work, make sure to use the original packaging or safe packaging method, and also make sure to return the related documents.
- 2) Make sure to prevent exposures of the product to dust, wetness, or other sources of pollution during the conveyance.
- 3) Pack it properly to prevent vibration or any kind of impact during the conveyance.
- 4) If the product gets damaged during the conveyance, make sure to record it on paper, and if there is some kind of loss due to a delayed installation, one may demand compensation from the conveyance company.

The content of the user manual is prepared with the best efforts, but it might contain typos, or errors requiring fixes, so we kindly ask for understanding. The product spec or exterior can be changed without a pre-notice for the quality improvement purposes, thus Wise Co., Ltd. has the rights to change them. Figures used in the user manual are for just illustration purposes, and they can differ from the actual shapes

Yongin Factory

2022 Deogyong-daero, Giheung-gu, Yongin-si, Gyeonggi-do (Sanggal-dong)

www.wisecontrol.com



A/S related Inquiries

2022 Deogyong-daero, Giheung-gu, Yongin-si, Gyeonggi-do (Sanggal-dong)

webmaster@wisecontrol.com

Home page: Service center>Technology/Quote Inquiry



Wise Co., Ltd. Seoul Office

181, Gasan digital 1-ro, Geumcheon-gu, Seoul (Gasan-dong, Gasan W CENTER) F19

T. 02-300-2300

F. 02-300-2400

Explosion proof thermocouple & RTD RS series

R920 series



목차

1. 일반사항.....	3
1.1 소개.....	3
1.2 적용.....	3
1.3 보증.....	3
2. 경고.....	4
3. 주요사항.....	5
3.1 방폭.....	5
3.2 보호 등급.....	5
3.3 온도 센서 타입.....	5
3.4 정확도 및 허용오차.....	5
4. 설계.....	7
4.1 구조.....	7
4.1.1 스프링 로드 타입.....	7
4.2 헤드.....	7
4.3 감지부 및 프로세스 연결부의 재질.....	8
4.4 프로세스 연결부.....	8
4.4.1 시스 케이블(MI cable) 타입.....	8
4.5 프로세스 연결부 길이와 헤드부 상승 온도 관계.....	9
5. 설치 지침.....	10
5.1 제품 설치 전 확인 및 주의 사항.....	10
5.2 설치 요구사항.....	10
6. 배선.....	11
6.1 연장 및 보상 도선.....	11
6.1.1 열전대(TC).....	11
6.1.2 축온저항체(RTD).....	11
6.2 배선 주의사항.....	12
6.3 단자대 배선.....	13
6.3.1 열전대(TC).....	13
6.3.2 축온저항체(RTD).....	13
6.4 국제 색상 비교표.....	14

7. 명판.....	15
7.1 명판 표시 사항.....	15
8. 유지 보수.....	16
9. 결함.....	16
10. 사용자 의무.....	17
11. 제품의 반환.....	17

1. 일반사항

1.1 소개

(주)와이즈에서 제작하는 온도 센서 및 써모웰은 고객의 사양에 맞추어 정밀 제작된 제품입니다.

RS series(R920)는 감지부와 써모웰 사이의 열전달을 최대화하기 위해 스프링 로드 타입으로 설계된 방폭형 제품입니다. 본 제품은 적절한 장소에서 시험 및 보관하여야 하며, 사용기간 동안 최적의 사용상태를 유지하기 위하여 각종 문서, 시험성적서 및 취급설명서 등의 필요조건을 반드시 지켜야 합니다.

1.2 적용

온도 센서는 다양한 프로세스의 온도 측정을 위해 사용되며, 측정된 값은 제어반 또는 프로세스용 시스템에서 지시, 기록 및 제어용으로 사용됩니다. 온도 센서는 프로세스 상황에 따라 적절한 써모웰을 선정하여 사용하거나 배관에 써모웰 없이 직접 삽입할 경우 프로세스 유체가 온도 센서에 영향을 미치지 않거나 실링 타입으로 변경하여 사용해야 합니다.

써모웰은 온도계 또는 온도 센서를 배관의 유속, 압력, 부식 등으로부터 보호하기 위하여 사용하거나 센서 고장으로 인한 교체 시 배관 내의 유체가 외부로 유출되지 않도록 설계된 제품입니다. 써모웰은 각종 프로세스에 맞추어 사용자가 직접 선정하여야 하며, (주)와이즈는 선정 시 조언을 할 수 있으나 선정 잘못으로 인한 모든 책임은 사용자에게 있습니다.

1.3 보증

본 제품을 이용하실 때 사용설명서의 규정에 따르지 않아 발생하는 파손이나 임의 개조 및 변경, 수리 시에는 제조사에서 책임을 지지 않으며 제품의 보증기간은 종료됩니다.

2. 경고

안전한 사용을 위한 취급설명서

이 제품을 바르고 안전하게 사용하기 위하여 사용 전에 이 취급설명서를 잘 읽어주시기 바랍니다. 취급시의 오류는 기기고장의 원인이 되며, 상해나 사고 등의 재해가 발생할 수 있습니다.

경 고

- 1) 안전을 위해 설치하는 계장, 전기공사 등의 전문기술을 보유한 작업자가 실시하여야 합니다.
- 2) 사양서에 정해져 있는 정격 입출력사양의 범위 내에서 사용하십시오.
- 3) 본 제품은 사양서에 명시되어 있는 사용 환경에 설치하십시오.
- 4) 배선 시 내부 배선 규정 및 전기설비 기술기준에 맞게 시공하십시오.
- 5) 배선 작업은 반드시 전원이 차단된 상태에서 연결하십시오.
- 6) 전선의 끝단은 절연 피복이 있는 압착 단자를 사용하십시오.
- 7) 케이블 그랜드는 동일한 방폭 등급 또는 상위 등급을 사용하십시오.
- 8) 본 제품은 어떠한 경우에도 분해해서는 안됩니다.
- 9) 사용 가능한 온도 범위 내에서 사용하십시오.
- 10) 무리한 하중, 진동, 충격을 가하지 마십시오.
- 11) 본 제품에 써모웰을 선정할 경우, 사용 환경 조건에 맞게 선정하여 주시기 바랍니다.
- 12) 잘못된 써모웰 선정의 책임은 발주자에 있습니다.
- 13) 본 제품의 헤드를 잡고 돌리지 마십시오. 공구를 사용하여 나사 육각부위를 잡고 돌리십시오.
- 14) 경년 변화 및 시간에 따른 변화를 가져오는 오링은 실링에 필요한 기능을 상실할 수 있으므로 정기적인 교체가 필요하고 통상적으로 5년 주기로 교체하는 것이 적합합니다.

3. 주요사양

3.1 방폭

- 모델명: R920 (RS series)
- 방폭 등급: Ex d IIC T6
Ex tD A21 T85°C
- 방폭 기술 기준: IEC 60079-0, IEC 60079-1, IEC 61241-0, IEC 61241-1

3.2 보호 등급

- IP65
- 써모웰 체결 시: IP66, IP67

3.3 온도 센서 타입

- 열전대(TC): K, E, J, T, N, B type
- 축온저항체(RTD): Pt100Ω at 0°C

3.4 정확도 및 허용오차

- 열전대(TC)
Class 1, Class 2 (DIN/IEC584-2, BS/EN60584-2, JIS C1602)
Special, Standard (ASTM E230, E988, ISA-MC96.1)
- 축온저항체(RTD).
Class A : $\pm (0.15 + 0.002 | t |)$
Class B : $\pm (0.3 + 0.005 | t |)$

자세한 내용은 아래 테이블을 참조하십시오.

1) 열전대(TC): Class 1,2,3(IEC/EN 60584-2) or Standard / Special(ASTM E230,ANSI MC 96.1)

Type	Class	Temperature range	Maximum deviation
K	Standard	-200 ~ 0 °C	The greater of ±2.2 °C or ±2%
		0 ~ 1260 °C	The greater of ±2.2 °C or ±0.75%
	Special	0 ~ 1260 °C	The greater of ±1.1 °C or ±0.4%
E	Standard	-200 ~ 0 °C	The greater of ±1.7 °C or ±1%
		0 ~ 870 °C	The greater of ±1.7 °C or ±0.5%
	Special	0 ~ 870 °C	The greater of ±1.0 °C or ±0.4%
B	Standard	870 ~ 1700 °C	±0.5%
	Special	870 ~ 1700 °C	±0.25%
R	Standard	0 ~ 1480 °C	The greater of ±1.5 °C or ±0.25%
	Special	0 ~ 1480 °C	The greater of ±0.6 °C or ±0.1%
S	Standard	0 ~ 1480 °C	The greater of ±1.5 °C or ±0.25%
	Special	0 ~ 1480 °C	The greater of ±0.6 °C or ±0.1%
N	Standard	0 ~ 1260 °C	The greater of ±2.2 °C or ±0.75%
	Special	0 ~ 1260 °C	The greater of ±1.1 °C or ±0.4%
T	Standard	-200 ~ 0 °C	The greater of ±1.0 °C or ±1.5%
		0 ~ 370 °C	The greater of ±1.0 °C or ±0.75%
	Special	0 ~ 370 °C	The greater of ±0.5 °C or ±0.4%
J	Standard	0 ~ 760 °C	The greater of ±2.2 °C or ±0.75%
	Special	0 ~ 760 °C	The greater of ±1.1 °C or ±0.4%

*Note.

모델마다 인증 받은 타입이 상이하므로 “3.3 온도 센서 타입”을 확인 후, 해당되는 타입의 내용을 참조 하시기 바랍니다.

2) 측온저항체(RTD): Class A, B (IEC/EN 60751)

Tolerance class	Temperature range of validity (°C)		Tolerance value (°C)
	For wire wound resistors	For film resistors	
A	-100 to +450	-30 to +300	± (0.15 + 0.002 t)
B	-196 to +600	-50 to +500	± (0.3 + 0.005 t)

4. 설계

4.1 구조

4.1.1 스프링 로드 타입

스프링 로드 타입은 헤드 내에 스프링이 설치 되어있고, 스프링의 하중을 통해 감지부에 최대한 접촉할 수 있는 구조입니다. 기본 타입과 비교하였을 때, 감지 반응 속도가 빠릅니다. 스프링 로드 타입의 경우 감지부의 유동성을 위해 실링이 안되어 있으므로 일반적으로는 사용 환경에 적절한 써모웰을 선정 후 함께 설치하여 사용하며, 온도 센서를 직접 삽입 설치할 경우 프로세스 유체가 온도 센서에 영향을 미치지 않거나 실링 타입으로 변경하여 사용해야 합니다.

4.2 헤드

Explosion proof (Single entry)	Explosion proof (Double entry)

Warning: 방폭 지역에 설치하는 제품의 케이블 그랜드는 방폭 인증된 제품을 사용해야 합니다. 연결 가능한 케이블은 아래 <Table: Head information >을 확인합니다.

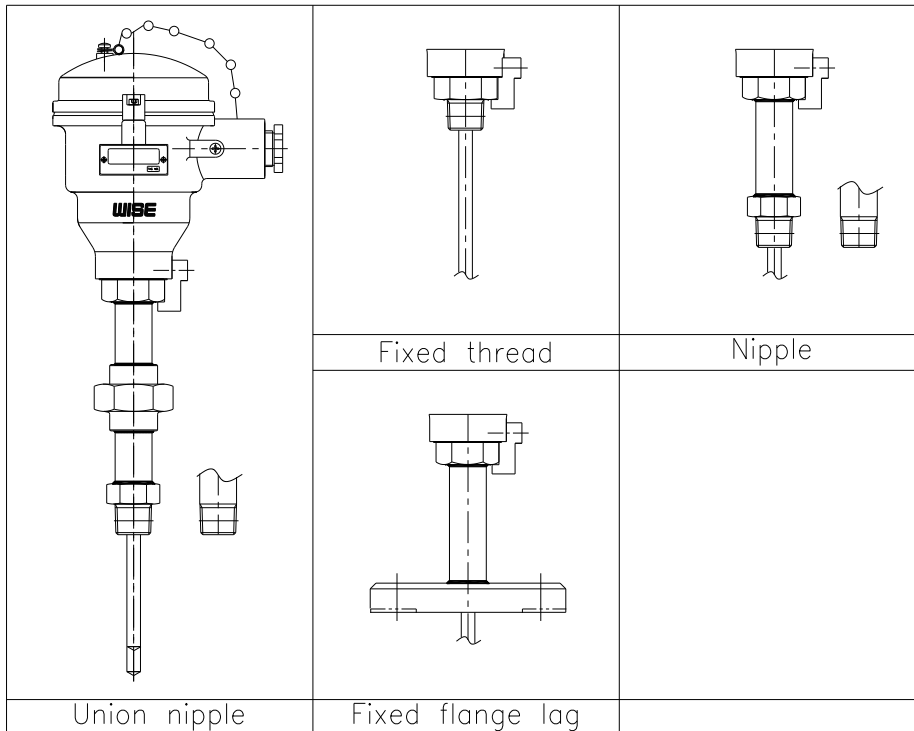
Head	Head material	Head thread (Cable entry size)	Conduit adaptor	Conduit adaptor material
Explosion proof (Single/Dual entry type)	ALDC12.1 (Single entry)	PF 1/2, PF 3/4, NPT 1/2, NPT 3/4	NPT 1/2, NPT 3/4 M20x1.5P PT 사용불가	Brass+Ni.plating 316SS
	316SS	PF 1/2		
	AC4C (Dual entry)	PF 1/2		

4.3 감지부 및 프로세스 연결부의 재질

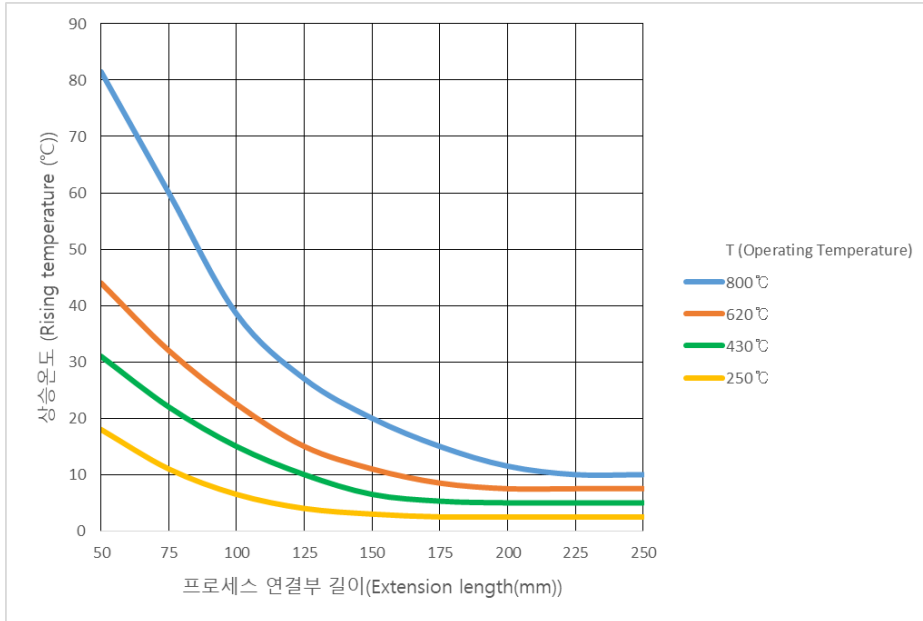
금속 재질			
재질	상용온도 (°C)	최고온도 (°C)	특성
304SS	900	1000	일반적으로 열, 부식에 대한 써모웰로 폭넓게 사용되나 황 또는 환원 불꽃에 직접 사용은 권장하지 않음.
316SS	900	1000	Mo가 포함되어 열, 산 및 알칼리에 우수하게 견딤.
316L SS	950	1050	316보다 탄소함유량이 낮음. 내산성, 내알칼리성에 316SS보다 우수.
321SS	900	1000	유황, 환원열에 약함. 내식, 내열성 우수함.
310SS	950	1050	Ni, Cr을 많이 함유하고 있고 내열, 산화에 저항력이 우수한 최적의 고온 강도를 가지고 있음.
347SS	900	1000	Nb-Ta 함유하고 있어 304SS보다 내식성 우수. 미세 표면 부식에 대한 내식성이 우수.
446SS	1050	1125	고(高)Cr강으로써 유황 성분의 산화 환원 분위기에 우수. 소금배스, 주조물 및 기타 고온 적용에 적합.
Inconel600	1180	1250	고Cr, Ni강으로 고온에서 산화 환원 분위기에 우수. 유황 분위기는 사용 불가함.

4.4 프로세스 연결부

4.4.1 시스 케이블(MI cable) 타입



4.5 프로세스 연결부 길이와 헤드부 상승 온도 관계

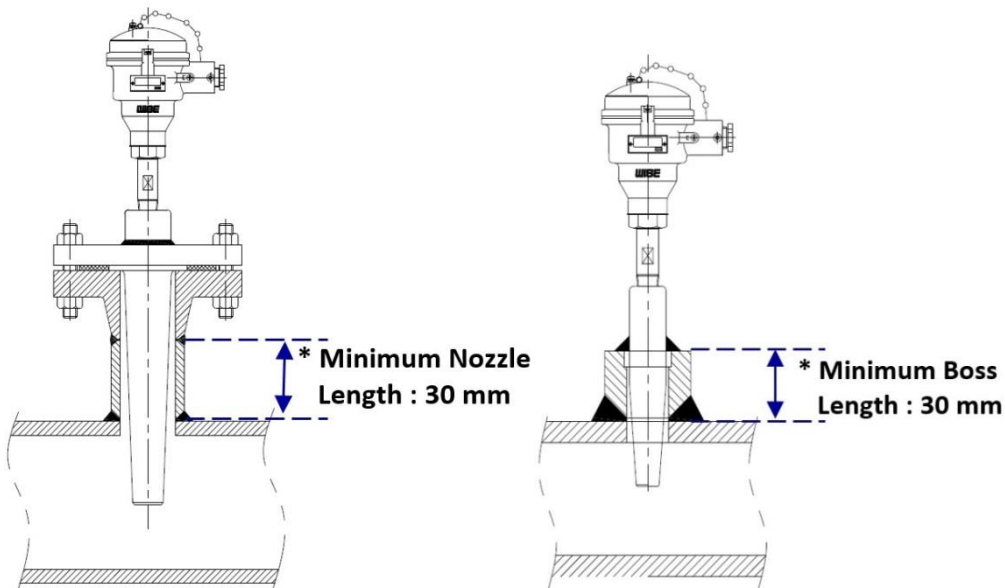


1) T: 사용온도 (Operating temperature)

2) 프로세스 연결부 길이 (Extension length): 써모웰 또는 프로세스 라인과 헤드까지 거리

* 방폭 지역에 설치되는 제품은 상승온도가 20°C 미만이 되도록 프로세스 연결부 길이를 선정해야 합니다.

※주의사항: 표면 온도 조건을 (T6: 85°C) 만족하기 위해 온도 센서 설치 시 아래 그림에 따라 설치하여 주시기 바랍니다.



5. 설치 지침

5.1 제품 설치 전 확인 및 주의 사항

- 1) 보관, 운반시 Lead wire 단선 주의합니다.
- 2) 제품 설치 전에 테스터기로 단선 유무를 체크 합니다.
- 3) 제품 설치 전에 Megger(Megohmmeter)테스터기로 절연저항을 측정하여 정상인지 확인 합니다.
- 4) 센서 조립체가 탱크로 운반 및 노즐에 체결 시 물리적인 외부 힘(압축, 충격 등)이 시스 케이블(MI cable)에 가해지지 않도록 주의합니다.
- 5) 보호커버와 열전대에 모든 기름, 절단, 오물 또는 먼지가 흡집 없이 깨끗한지 확인합니다.
(아주 작은 양의 이물질로도 정확도가 저하될 수 있습니다.)

5.2 설치 요구사항

- 1) 제품 설치 또는 분해할 때, 시스 케이블(MI cable)을 잡아 당기거나 밀지 않도록 주의하십시오.
- 2) 기존 써모웰에 온도 센서를 설치할 경우 온도 센서를 삽입 전 써모웰 내부 검사로 내부에 방해물이 있는지 확인하여 설치하는 동안 마찰에 의한 스파크 발생 방지 및 온도 센서 손상을 방지합니다.
- 3) 프로세스와 직접 접촉하여 설치하는 경우 가해진 외부 하중이 계기와 용접 부위에 변형을 유발하지 않는지 확인합니다.
- 4) 다른 플랜트 구성 요소로부터의 추가 하중과 진동은 센서 부품의 작동에 영향을 줄 수 있습니다. 진동이 발생하는 장소 설치로 인한 하중이 감지 소자의 작동을 손상시킬 수 있습니다.
- 5) 최종 사용자는 허용된 한계를 초과하지 않기 위해 계기가 적절히 설치되었는지 확인합니다.

*Note.

온도 센서 설치 조건 및 설치 위치에 대해서는 써모웰 매뉴얼(C-QIM-2731-T05_KR)을 참조하시길 바랍니다.

6. 배선

6.1 연장 및 보상 도선

온도 측정에 사용하는 케이블로 열전대(TC)와 동일한 재질(연장선) 또는 열전대(TC)와 유사한 열기전력 특성을 가진 재질(보상)로 된 도선을 계측기 단자까지 연장하여 사용하는 전선입니다. 보상 도선은 열전대(TC)를 연장한 것과 같은 동일 효과로 온도를 보상할 수 있고, 사용 환경 조건에 따라 저온용, 고온용, 내습용, 내유용, 내굴곡용 등의 복합조건에 맞추어 절연 및 피복재료를 바꾸어 사용할 수 있습니다.

6.1.1 열전대(TC)

- 열전대(TC)와 같은 도선으로 구성되며 열전대(TC)와 같은 온도 측정치를 나타냅니다.
- 온도에 따른 전압(μ)변화를 이용하여 온도를 측정하므로 전압강하를 고려하여 선정하여야 합니다.

6.1.2 측온저항체(RTD)

- 온도에 따른 저항값(Ω)의 변화를 이용하여 온도를 측정합니다.
- 측온저항체(RTD) 케이블은 3선식 또는 4선식으로 선정되며 차폐선의 한쪽 끝은 접지되어야 합니다.

구분	도체	절연체	차 폐
열전대(TC)	열전대 Type별	Glass 편조	주석도금 편조선
		테프론	테프론
		비닐(PVC)	비닐(PVC)
측온저항체(RTD)	주석도금 연동선	Glass 편조	주석도금 편조선
		테프론	주석도금 편조선
		비닐(PVC)	비닐(PVC)

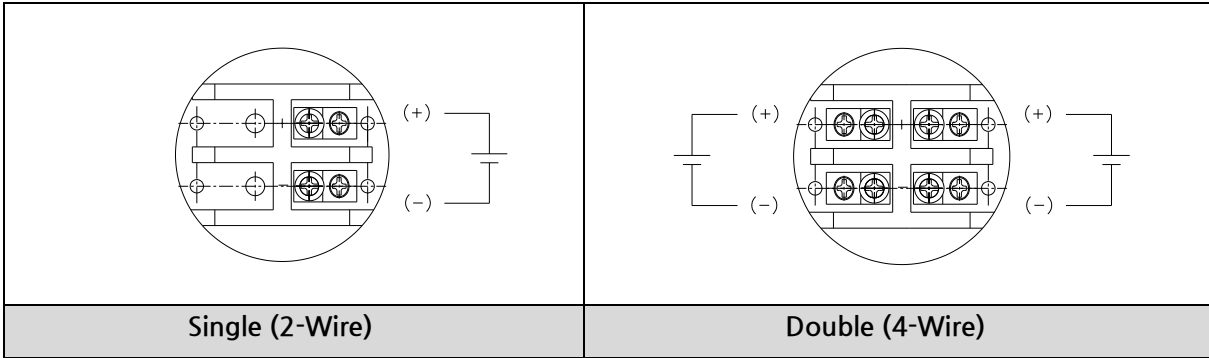
- 1) 연장 또는 보상 도선은 온도 센서의 신호 측정에 적합한 사양으로 선택하여 사용해야 합니다.
- 2) 케이블의 굵기는 전압의 흐름을 고려하여 결정합니다.
- 3) 외부 피복 재질은 설치환경에 적절하게 선정하여야 합니다.
- 4) 옥외 배선 부분이 있는 경우 글라스 피복을 사용하지 마십시오. 습기로 인한 절연저항이 감소하여 측정오차가 발생할 수 있습니다.
- 5) 케이블은 주위 환경에 의해 파손 또는 절단 등의 손상으로부터 보호되어야 합니다.
- 6) 케이블이 접히거나 꼬이지 않도록 주의합니다.

6.2 배선 주의사항

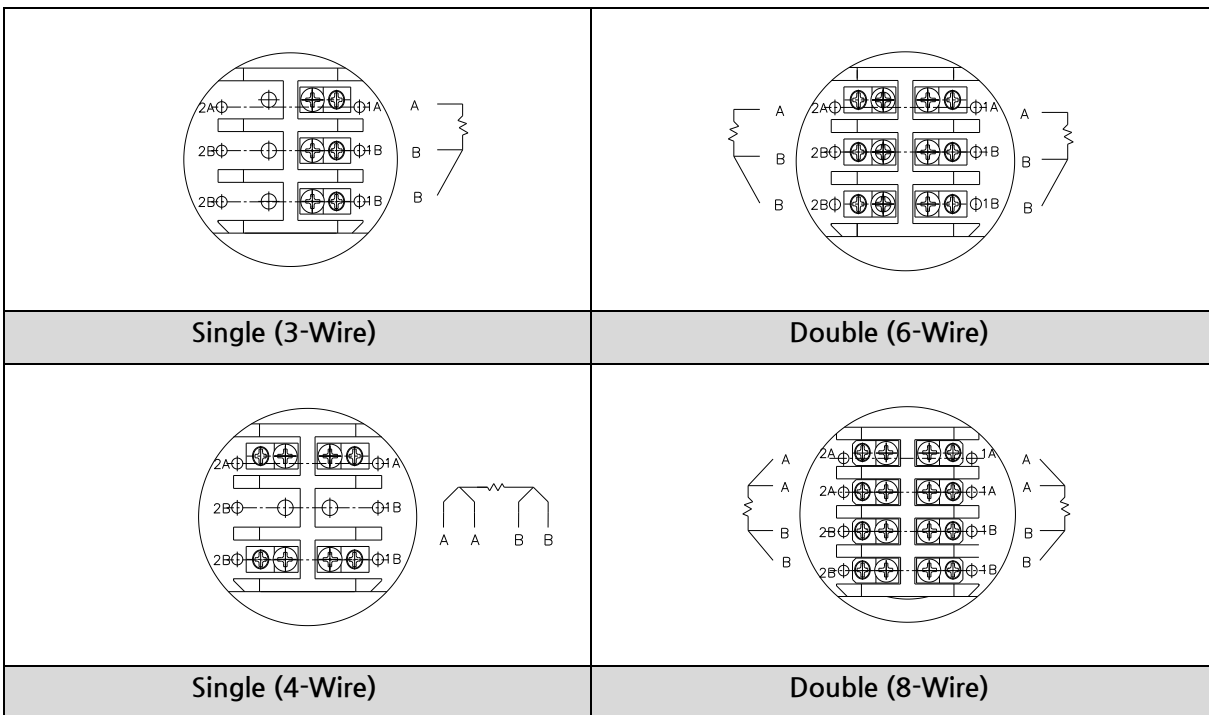
- 1) 방폭 등급 제품은 반드시 전원을 차단한 후 배선하십시오.
- 2) 열전대(TC)는 극성(+/-)을 확인한 후 연결하고, 축온저항체(RTD)의 경우에는 A/B/B(3선식) 단자를 분리한 후 배선하십시오.
- 3) 보상 도선 및 케이블의 끝은 압착 단자를 사용하여 단자대에 부착하고 나사는 단단히 조입니다.
- 4) 트랜스미터에 배선할 경우 해당 트랜스미터의 사용 설명서의 배선 지침을 준수합니다.
- 5) 방폭 등급의 경우 운전 중 커버가 열리지 않도록 하고 잠금 장치를 조여 주십시오.
- 6) 접지
 - 접지용 터미널은 부식방지를 위해 알루미늄 재질을 사용합니다.
 - 접지볼트는 304SS 재질을 사용합니다.
 - 접지용 터미널의 풀림을 방지하기 위해 스프링 와셔를 사용합니다.
 - 외부 접지용 터미널은 연결부 확인 후 적절한 접지선을 연결하십시오.
- 7) 연결 후 전원 공급 장치와 신호 케이블이 올바르게 연결되었는지 점검합니다.

6.3 단자대 배선

6.3.1 열전대(TC)



6.3.2 측온저항체(RTD)



6.4 국제 색상 비교표

제품을 연결하기 위해 아래 테이블을 참조하십시오.

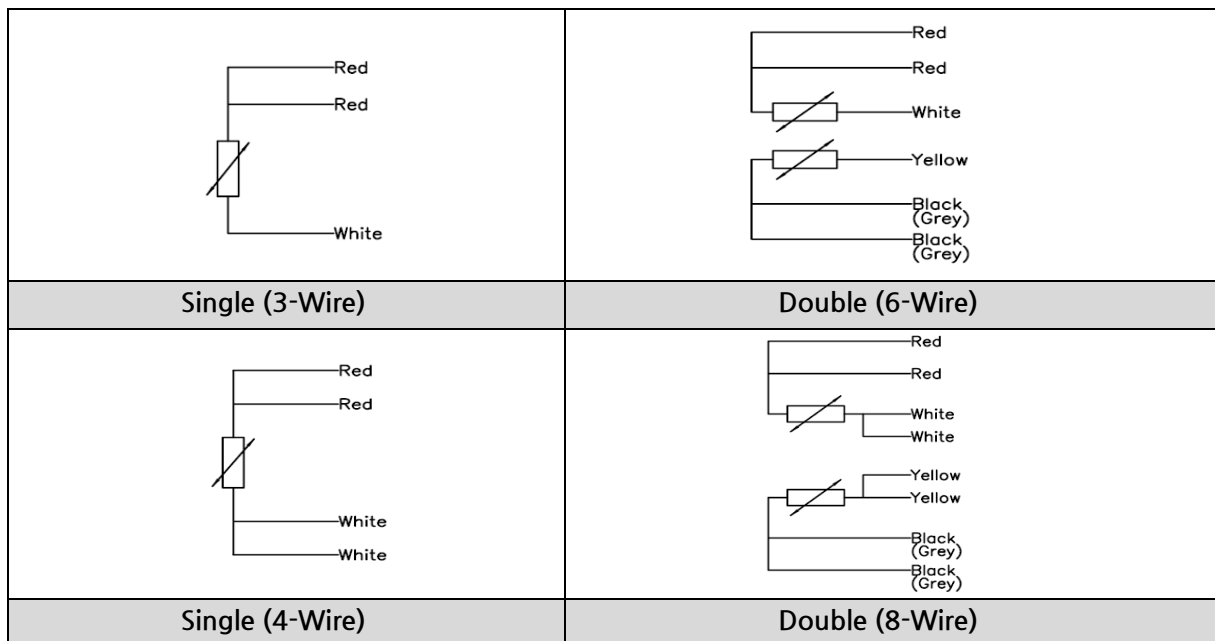
(색상은 고객의 요구 사항에 따라 다르게 적용될 수 있습니다.)

■ 열전대(TC)

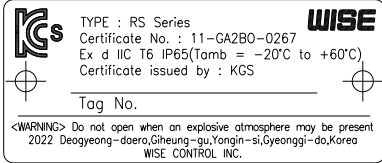
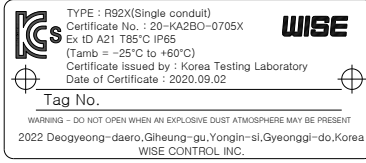
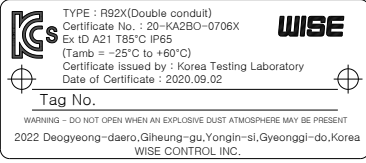
Type	EN (IEC 60584-3)		ANSI(ISA MC96.1)		JIS C 1610 (KS C 1609)	
	(+)	(-)	(+)	(-)	(+)	(-)
T	Brown	White	Blue	Red	Red	White
E	Violet(Purple)	White	Purple	Red	Red	White
J	Black	White	White	Red	Red	White
K	Green	White	Yellow	Red	Red	White
N	Pink	White	Orange	Red	Red	White
B	Grey	White	Grey	Red	Red	White
R	Orange	White	Black	Red	Red	White
S	Orange	White	Black	Red	Red	White

■ 측온저항체(RTD)

IEC/EN 60751 규격 적용 (KS C 1603 규격은 해당 색상 확인)



7. 명판

 <p>TYPE : RS Series Certificate No. : 11-GA2B0-0267 Ex d IIC T6 IP65(Tamb = -20°C to +60°C) Certificate issued by : KGS</p> <p>Tag No. _____</p> <p><WARNING> Do not open when an explosive atmosphere may be present 2022 Deogyeong-daero, Giheung-gu, Yongin-si, Gyeonggi-do, Korea WISE CONTROL INC.</p>	 <p>TYPE : R92X(Single conduit) Certificate No. : 20-KA2B0-0705X Ex tD A21 T85°C IP65 (Tamb = -25°C to +60°C) Certificate issued by : Korea Testing Laboratory Date of Certificate : 2020.09.02</p> <p>Tag No. _____</p> <p>WARNING - DO NOT OPEN WHEN AN EXPLOSIVE DUST ATMOSPHERE MAY BE PRESENT 2022 Deogyeong-daero, Giheung-gu, Yongin-si, Gyeonggi-do, Korea WISE CONTROL INC.</p>	 <p>TYPE : R92X(Double conduit) Certificate No. : 20-KA2B0-0706X Ex tD A21 T85°C IP65 (Tamb = -25°C to +60°C) Certificate issued by : Korea Testing Laboratory Date of Certificate : 2020.09.02</p> <p>Tag No. _____</p> <p>WARNING - DO NOT OPEN WHEN AN EXPLOSIVE DUST ATMOSPHERE MAY BE PRESENT 2022 Deogyeong-daero, Giheung-gu, Yongin-si, Gyeonggi-do, Korea WISE CONTROL INC.</p>
KCs Ex d	KTL Ex tD (Single conduit)	KTL Ex tD (Double conduit)

- 방폭 인증 제품은 확인 시험에 합격하고 인증기관에 제출된 사양과 동일함.
- 방폭 인증에 따라 모델명이 변경될 수 있습니다.

7.1 명판 표시 사항

- 방폭 구조 및 등급: Ex d IIC T6 IP65 (Ex d)
Ex tD A21 T85°C IP65 (Ex tD)
- 주위온도 조건: $-20\text{ }^{\circ}\text{C} \leq T_a \leq 60\text{ }^{\circ}\text{C}$ (Ex d)
 $-25\text{ }^{\circ}\text{C} \leq T_a \leq 60\text{ }^{\circ}\text{C}$ (Ex tD)
- 안전 인증 표시, 인증정보(인증번호, 인증기관, 인증일자)는 명판에 별도 명시
- 경고 사항: 폭발성 분위기에서는 열지 마시오.
- Tag No.(식별번호)

8. 유지 보수

일반적으로 온도 센서는 유지 보수가 필요 없습니다. 유지 보수 활동을 수행해야 하는 경우 숙련된 인력만 유지 보수를 수행할 수 있으면 ㈜와이즈는 유지 보수를 지원할 수 있습니다.

■ 수리

수리는 ㈜와이즈 또는 부품 제조업체에서만 수행해야 합니다.

■ 교정

온도 센서의 정확성은 비교 측정을 통해 확인 가능하며 필요 시 주기적으로 확인 시험을 통해 정확도를 유지해야 합니다. 검증 및 교정은 적합한 테스트 장비 및 자격을 갖춘 인원에 의해 수행되어야 합니다.

㈜와이즈는 교정을 수행할 수 있습니다.

9. 결함

결함	원인	방안
선 파손 및 신호 없음	기계적 부하가 너무 높거나 과열됨	측정 감지부를 적절한 구조로 교체할 것
잘못된 측정값	과열 또는 화학물질로 인한 센서의 정확도 떨어짐	써모웰 사용
신호 간섭	전기장 또는 접지 루프로 인한 표류 전류 발생	차폐 연결 케이블 사용, 모터 및 전력선과의 거리 증가할 것 전위 제거 및 Galvanic 절연 트랜스미터 또는 배리어 사용할 것
너무 긴 응답 시간	잘못된 설치 위치	프로세스 라인의 설치 위치 또는 삽입 깊이를 다시 선정할 것
	부적합한 써모웰 크기	프로세스 라인에 가능한 써모웰 치수를 다시 선정할 것
부식	삽입 부품 또는 써모웰의 잘못된 재질 선택	프로세스에 적합한 재료로 변경

위에 나열된 조치로 결함을 제거할 수 없는 경우 즉시 기기를 종료하고 압력 및 신호가 더 이상 존재하지 않는지 확인하고 기기가 부주의하게 다시 작동되지 않도록 보호하십시오.

이 경우 제조사에 문의하십시오.

반품이 필요한 경우 11장 "반환"의 지침을 따르십시오.

10. 사용자 의무

온도 센서는 고온 및 부식성 환경에서 사용되는 제품으로 예상되는 각종 안전사항을 고려하여 제품을 선정 하여야 하며, 모든 온도 센서 디자인에서는 올바른 설치가 가장 중요합니다.

잘못된 설치는 궁극적으로 부정확한 온도 판독으로 이어질 수 있습니다.

(주)와이즈는 사용자의 선택을 지원할 수 있으나 어떠한 책임을 지지는 않습니다.

11. 제품의 반환

- 1) 재교정 또는 수리를 위하여 반환할 경우 원래의 포장이나 안전한 포장 방법을 사용하여야 하며 관련 서류도 함께 반환하여야 합니다.
- 2) 운송 중 제품이 습기나 먼지 및 기타 오염원에 노출되지 않도록 해야 합니다.
- 3) 운송 중 제품이 진동이나 충격에 노출되지 않도록 포장하여야 합니다.
- 4) 운송 중 파손된 제품은 반드시 서면으로 기록하여야 하며, 설치지연에 대한 배상은 운송회사에 청구할 수 있습니다.

본 설명서의 내용은 심혈을 기울여 제작되었지만, 오타자 또는 수정해야 할 내용이 있을 수 있으니 이점 양해하여 주시기 바랍니다. 본 제품의 규격 및 외관은 품질 향상을 위해 사전 통보 없이 변경될 수 있으며, (주)와이즈는 이에 대한 변경 권리를 가집니다. 본 사용설명서에서 사용하는 그림은 예시를 위한 것으로 실제와 다를 수 있습니다.

용인공장

경기도 용인시 기흥구 덕영대로 2022
(상갈동)

www.wisecontrol.com

A/S 관련문의

경기도 용인시 기흥구 덕영대로 2022
(상갈동)

webmaster@wisecontrol.com

홈페이지: 고객센터>기술/견적문의

(주)와이즈 서울사무소

서울특별시 금천구 가산디지털1로 181
(가산동, 가산 W CENTER) 19층

T. 02-300-2300

F. 02-300-2400

