

Weatherproof temperature switch

Model : T941, T942

Spec. sheet no. TD09-03

Service intended

This temperature switch is installed with a micro contact, and it is suitable for measuring the temperature of corrosive fluid. Dead band is fixed.

EAC

Dimension

Refer to type of mounting

Repeatability

±1.0 % of adjustable range

Measuring system (SAMA class IIIB)

Gas : -200 ~ 700 °C

Dead band

One SPDT : 5 ~ 6 % of full scale

Two SPDT : 12 % of full scale

Working range

Maximum scale value



Standard features

Location of stem and mounting

Bottom connection, surface, case mounting

Case

Silver gray finished

Cover

Silver gray finished

Switch type

Micro switch snap action

Switch form

One SPDT or Two SPDT

DPDT

Capillary

Capillary : 1.6/0.2 mm, 316SS

Armored tube : 7.5/5.5 mm, 304SS

Contact rating

■ AC 125 V/250 V, 15 A and DC 30 V, 2 A
DC 125 V, 0.5 A for resistance load

■ AC 125 V/250 V, 15 A and DC 30 V, 1 A
DC 125 V, 0.05 A for inductive load

Conduit connection

½" or ¾" PF

Stem

8.0, 10.0 and 12.0 mm

316SS and 316L SS

Stem, process connection

¾", ½", ¾" PT, NPT and PF

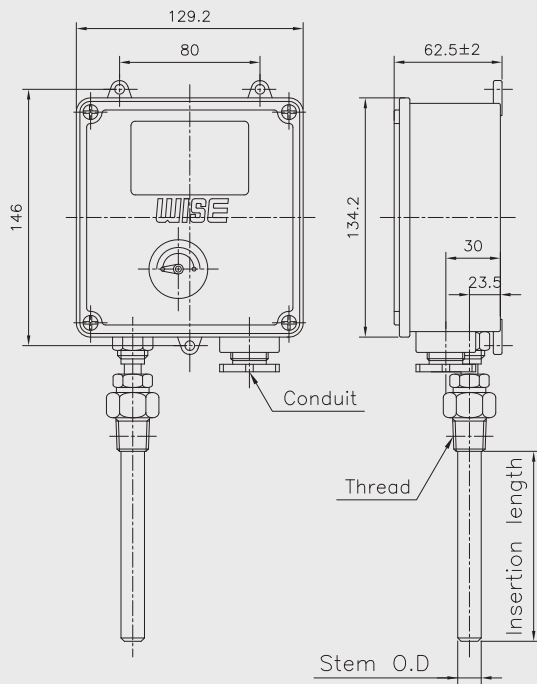
WISE[®]

1. Base model**T941** Weatherproof temperature switch (Single setpoint)**T942** Weatherproof temperature switch (Dual setpoint)**2. Unused character****9B** None**3. Stem material****1** 316SS**2** 316L SS**4. Stem, process connection****A** None**D** 3/8"**E** 1/2"**F** 3/4"**5. Stem connection type (CF: Compression fitting)****A** None**E** CF + PT**F** CF + NPT**G** CF + PF**H** MT + PT (Movable thread)**I** MT + NPT (Movable thread)**J** MT + PF (Movable thread)**6. Stem outer diameter (mm)****2** 8.0**3** 10.0**4** 12.0**Z** Other**7. Range****XXX** Refer to scale range table**8. Capillary length (m)****A** Direct mounting type**P** 2**Q** 3**S** 5**V** 8**X** 10**Z** Other**9. Accessories****0** None**1** Thermowell**Sample ordering code**

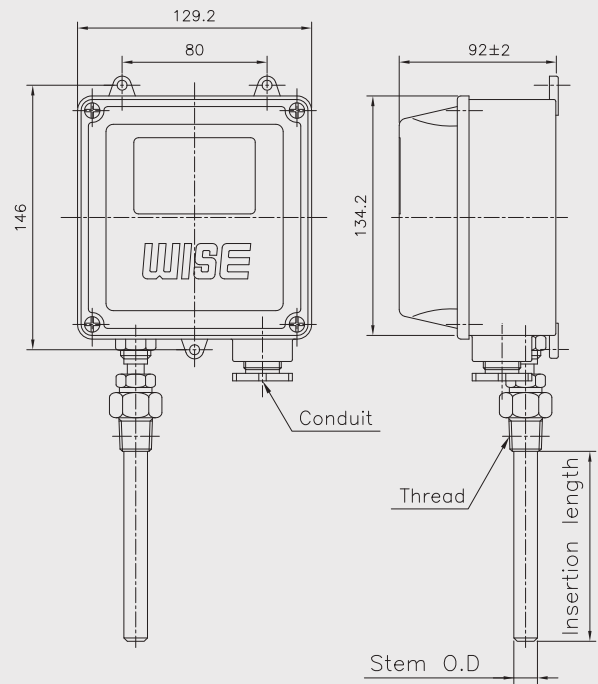
1	2	3	4	5	6	7	8	9
T941	9B	1	D	C	3	XXX	P	1

T941, T942 : Type of mounting

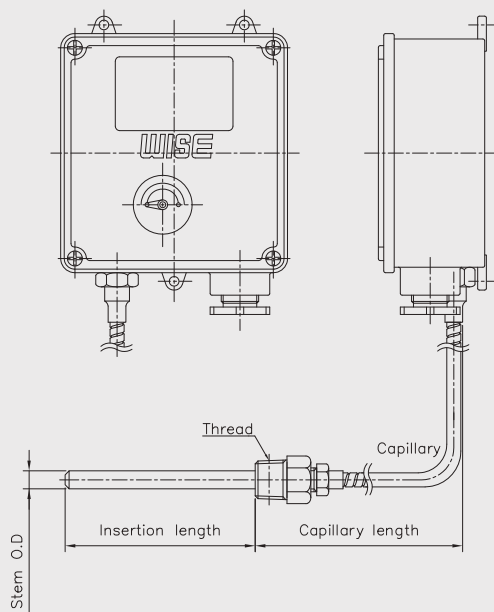
Code T941



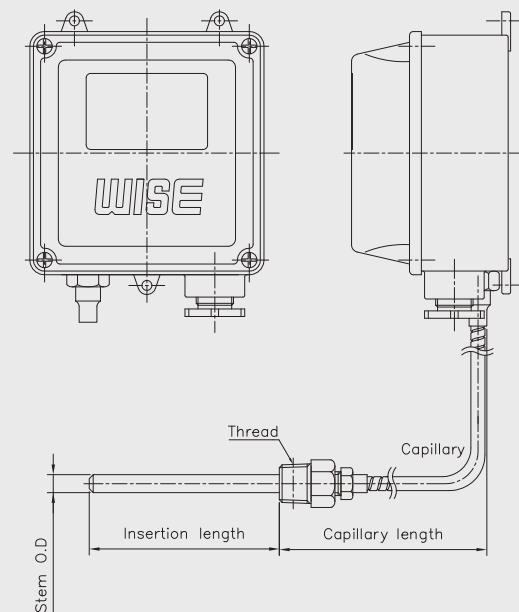
Code T942



Code T941*



Code T942*



Scale ranges

Code	Scale range (°C)	Scale spacing(°C)	Minimum stem length (mm)			Standard stem length (mm)		
			8.0	10.0	12.0	8.0	10.0	12.0
032	-50 ~ 50	2	100	85	65	200	130	100
037	-50 ~ 100	5	100	88	65	200	130	100
054	-30 ~ 50	2	100	85	65	200	130	100
059	-30 ~ 100	2	100	85	65	200	130	100
061	-30 ~ 120	5	100	85	65	200	130	100
069	-20 ~ 50	2	100	85	65	200	130	100
074	-20 ~ 100	2	100	85	65	200	130	100
079	-20 ~ 150	5	100	85	65	200	130	100
084	-10 ~ 50	1	100	85	65	200	130	100
099	0 ~ 50	1	100	85	65	200	130	100
100	0 ~ 60	1	100	85	65	200	130	100
101	0 ~ 70	2	100	85	65	200	130	100
102	0 ~ 80	2	100	85	65	200	130	100
104	0 ~ 100	2	100	85	65	200	130	100
106	0 ~ 120	2	100	85	65	200	130	100
109	0 ~ 150	5	100	85	65	200	130	100
114	0 ~ 200	5	100	85	65	200	130	100
119	0 ~ 250	5	100	85	65	200	130	100
124	0 ~ 300	5	100	85	65	200	130	100
129	0 ~ 350	5	100	85	65	200	130	100
134	0 ~ 400	10	100	85	65	200	130	100
144	0 ~ 500	10	100	85	65	200	130	100
154	0 ~ 600	10	100	85	65	200	130	100
164	0 ~ 700	10	100	85	65	200	130	100

* 0 ~ 700 °C/Special range

Insertion length

Code	1	2	3	4	5	6	7	8	9	A	B	C
Length (mm)	50	60	70	80	100	120	130	150	175	200	225	250

Code	D	E	F	G	H	J	K	L	M	N	P
Length (mm)	275	300	350	375	400	450	500	550	1,000	1,500	2,000