

# Safety pattern type remote reading thermometer solid-front turret style thermoplastic case

**Model : T360**

Spec. sheet no. TD03-02

## Service intended

This thermometer is used for measuring temperature of corrosive and non-corrosive fluid in all industries. It operates in aggressive and non-aggressive environment. Linear dials and temperature compensate line assure an accurate temperature indication at varying ambient conditions.

EAC

## Nominal diameter

125 mm

## Accuracy

±2.0% of full scale

## Measuring system (SAMA class IIIB)

Gas : -200 ~ 700 °C

## Working range

Maximum scale value



## Standard features

### Location of stem and mounting

Bottom connection, surface, case mounting lugs  
Lower back connection, surface, case mounting lugs

### Case and cover

Black glass reinforced thermoplastic (PBTB)  
Solid front, blow-out back  
Turret style case with built in rear flange lugs

### Capillary

Capillary : 1.6/0.2 mm, 316SS  
Armored tube : 7.5/5.5 mm, 304SS

### Window

Polycarbonate

### Dial

White aluminium with black graduation

### Pointer

Black painted aluminium alloy

### Stem

8.0, 10.0 and 12.0 mm  
316SS and 316L SS

### Stem, process connection

3/8", 1/2", 3/4" PT, NPT and PF

### Option

Special accuracy, ±1.0 % of full scale

**WISE**<sup>®</sup>

## Main order

## Ordering information

### 1. Base model

**T360** Safety pattern type remote reading thermometer  
solid-front turret style thermoplastic case

### 2. Nominal diameter (mm)

**5** 125

### 3. Type of mounting

**B** Bottom connection, surface, case mounting lugs  
**L** Lower back connection, surface, case center mounting lugs

### 4. Stem material

**1** 316SS  
**2** 316L SS

### 5. Stem, process connection

**A** None  
**D** 3/8"  
**E** 1/2"  
**F** 3/4"

### 6. Stem connection type (CF: Compression fitting)

**A** None  
**E** CF + PT  
**F** CF + NPT  
**G** CF + PF  
**H** MT + PT (Movable thread)  
**I** MT + NPT (Movable thread)  
**J** MT + PF (Movable thread)

### 7. Stem outer diameter (mm)

**2** 8.0  
**3** 10.0  
**4** 12.0  
**Z** Other

### 8. Range

**XXX** Refer to scale range table

### 9. Capillary length (m)

**P** 2  
**Q** 3  
**S** 5  
**V** 8  
**X** 10  
**Z** Other

### 10. Accessories

**0** None  
**1** Thermowell  
**S** Special accuracy ( $\pm 1.0$  % of full scale)  
**T** Thermowell and special accuracy

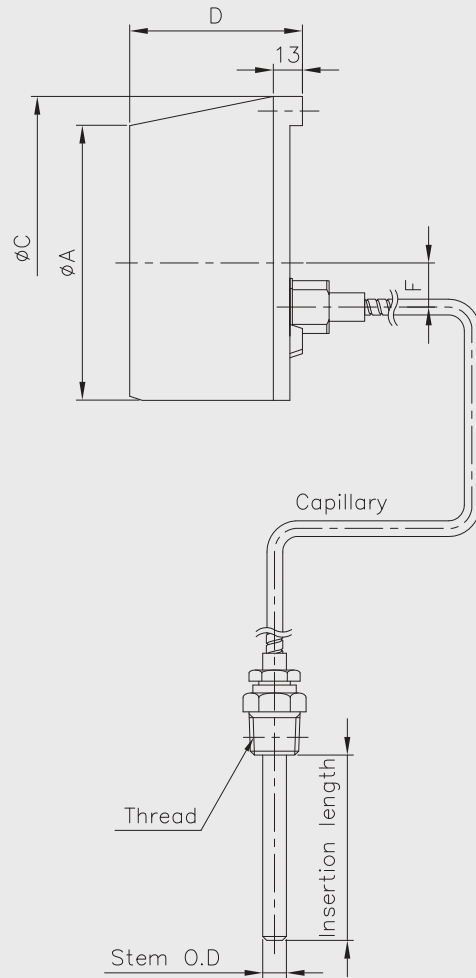
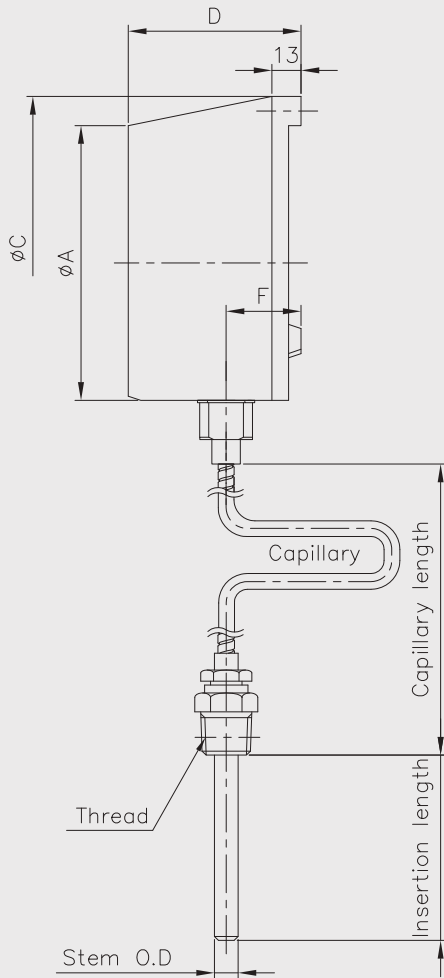
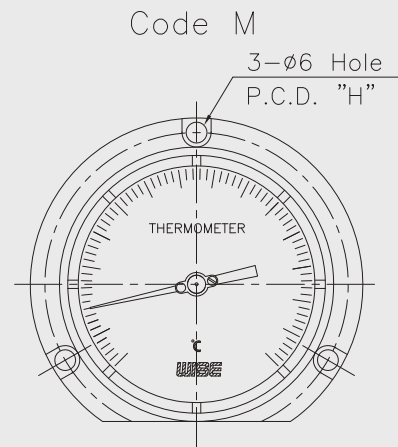
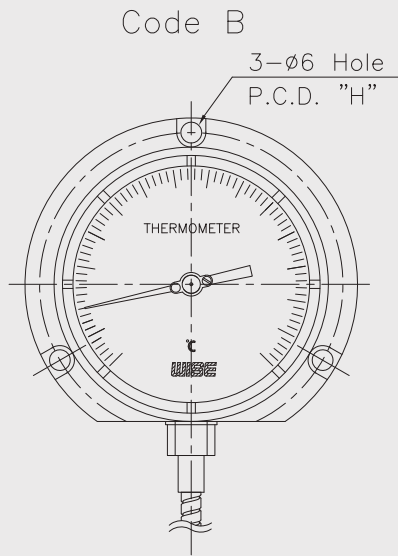
### 11. Insertion length (mm)

**XX** Refer to Insertion length table

### Sample ordering code

1	2	3	4	5	6	7	8	9	10	11
T360	5	B	1	E	C	2	XXX	P	1	XX

## T360 : Type of mounting



Dimensions (mm)

Dial Size	Available code	A	C	D±2	F±1	H
125	B	129	149.5	82.5	37.5	137.5
	L	129	149.5	82.5	27	137.5

## Scale ranges

Code	Scale range (°C)	Scale spacing(°C)	Minimum stem length (mm)			Standard stem length (mm)		
			8.0	10.0	12.0	8.0	10.0	12.0
031	-200 ~ 100	5	100	85	65	200	130	100
032	-50 ~ 50	2	100	85	65	200	130	100
037	-50 ~ 100	5	100	88	65	200	130	100
054	-30 ~ 50	2	100	85	65	200	130	100
059	-30 ~ 100	2	100	85	65	200	130	100
061	-30 ~ 120	5	100	85	65	200	130	100
069	-20 ~ 50	2	100	85	65	200	130	100
074	-20 ~ 100	2	100	85	65	200	130	100
079	-20 ~ 150	5	100	85	65	200	130	100
084	-10 ~ 50	1	100	85	65	200	130	100
099	0 ~ 50	1	100	85	65	200	130	100
100	0 ~ 60	1	100	85	65	200	130	100
101	0 ~ 70	2	100	85	65	200	130	100
102	0 ~ 80	2	100	85	65	200	130	100
104	0 ~ 100	2	100	85	65	200	130	100
106	0 ~ 120	2	100	85	65	200	130	100
109	0 ~ 150	5	100	85	65	200	130	100
114	0 ~ 200	5	100	85	65	200	130	100
119	0 ~ 250	5	100	85	65	200	130	100
124	0 ~ 300	5	100	85	65	200	130	100
129	0 ~ 350	5	100	85	65	200	130	100
134	0 ~ 400	10	100	85	65	200	130	100
144	0 ~ 500	10	100	85	65	200	130	100
154	0 ~ 600	10	100	85	65	200	130	100
164	0 ~ 700	10	100	85	65	200	130	100

\* 0 ~ 700 °C/Special range

\* -200 ~ 100 °C/Special range

## Insertion length

Code	K1	K2	K3	K4	K5	K6	K7	K8	K9	KA	KB	KC
Length (mm)	50	60	70	80	100	120	130	150	175	200	225	250

Code	KD	KE	KF	KG	KH	KJ	KK	KL	KM	KN	KP
Length (mm)	275	300	350	375	400	450	500	550	1,000	1,500	2,000