

Direct reading thermometer with adjustable stem

Model : T290

Spec. sheet no. TD02-13

Service intended

This thermometer is used for measuring temperature of corrosive and non-corrosive fluid in all industries. It operates in aggressive and non-aggressive environment. Linear dials and temperature compensate line assure an accurate temperature indication at varying ambient conditions.

EAC

Nominal diameter

100 and 150 mm

Accuracy

±2.0 % of full scale

Measuring system (SAMA class IIIB)

Gas : -200 ~ 800 °C

Working range

Maximum scale value

Standard

EN 13190 (-200 ~ 700 °C)



Standard features

Location of stem

Lower back with adjustable stem

Pointer

Black painted aluminium alloy

Case

304SS, Adjustable on stem 90°

Stem

8.0, 10.0 and 12.0 mm

316SS and 316L SS

Cover

304SS

Zero adjustment

Internal

Window

Tempered safety glass

Stem, process connection

3/8", 1/2", 3/4" PT, NPT and PF

Dial

White aluminium with black graduation

Stem connection type

Movable thread

Option

±1.0 % of full scale

Provides accuracy comparable to EN13190 Class 1 and Class 2.

WISE[®]

1. Base model

T290 Direct reading thermometer with adjustable stem

2. Nominal diameter (mm)

- 4 100
- 6 150

3. Type of mounting

Y Lower back with adjustable stem

4. Stem material

- 1 316SS
- 2 316L SS

5. Stem, process connection

- A** None
- D** 3/8"
- E** 1/2"
- F** 3/4"

6. Stem connection type (CF: Compression fitting)

- A** None
- E** CF + PT
- F** CF + NPT
- G** CF + PF
- H** MT + PT (Movable thread)
- I** MT + NPT (Movable thread)
- J** MT + PF (Movable thread)

7. Stem outer diameter (mm)

- 2** 8.0
- 3** 10.0
- 4** 12.0
- Z** Other

8. Range

XXX Refer to scale range table

9. Insertion length

X Refer to insertion length table

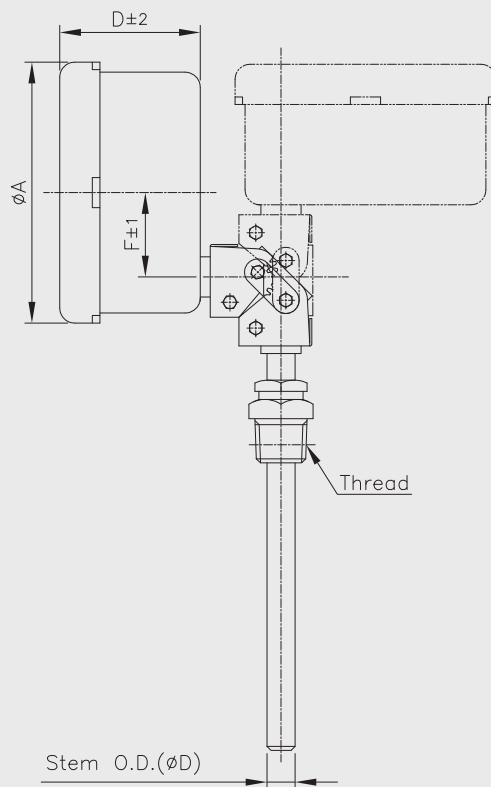
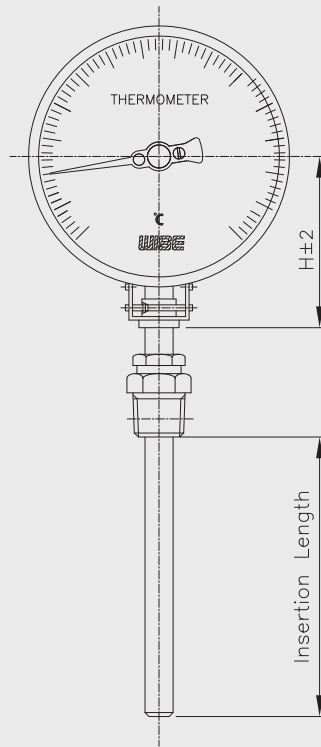
10. Accessories

- 0** None
- 1** Thermowell
- S** Special accuracy (±1.0 % of full scale)
- T** Thermowell and special accuracy

Sample ordering code

1	2	3	4	5	6	7	8	9	10
T290	4	Y	1	E	C	3	XXX	X	1

T290 : Type of mounting



Dimensions (mm)

Dial Size	A	D	F	H
100	111	48.5	25	75
150	168.5	62.5	56	104

Scale ranges

Code	Scale range (°C)	Scale spacing (°C)	Minimum stem length (mm)		
			8.0	10.0	12.0
031	* -200 ~ 100	5	500	500	500
032	-50 ~ 50	2	100	85	65
037	-50 ~ 100	5	100	85	65
054	-30 ~ 50	2	100	88	65
059	-30 ~ 100	5	100	85	65
061	-30 ~ 120	2	100	85	65
069	-20 ~ 50	2	100	85	65
074	-20 ~ 100	2	100	85	65
079	-20 ~ 150	5	100	85	65
084	-10 ~ 50	1	100	85	65
099	0 ~ 50	1	100	85	65
100	0 ~ 60	1	100	85	65
101	0 ~ 70	2	100	85	65
102	0 ~ 80	1	100	85	65
104	0 ~ 100	2	100	85	65
106	0 ~ 120	2	100	85	65
109	0 ~ 150	2	100	85	65
114	0 ~ 200	5	100	85	65
119	0 ~ 250	5	100	85	65
124	0 ~ 300	5	100	85	65
129	0 ~ 350	5	100	85	65
134	0 ~ 400	5	100	85	65
144	0 ~ 500	10	100	85	65
154	0 ~ 600	10	100	85	65
164	* 0 ~ 700	10	100	85	65
174	* 0 ~ 800	10	100	85	65

* Special range

* The temperature measurement range according to EN 13190 is valid from -200 °C to 700 °C.
For temperatures outside this range, prior agreement with the headquarters is required.

Insertion length

Code	1	2	3	4	5	6	7	8	9	A	B	C
Length (mm)	50	60	70	80	100	120	130	150	175	200	225	250

Code	D	E	F	G	H	J	K	L	M	N	P
Length (mm)	275	300	350	375	400	450	500	550	1,000	1,500	2,000