

Process industry bimetal thermometer

Model : T140

Spec. sheet no. TD01-07

Service intended

Bimetal thermometer is used for measuring temperature of gas or fluid. It is suitable for measurement, regulation and direct monitoring for the fluid. It meets the most stringent criteria on resistance to a corrosive atmosphere and exceptional climatic circumstances.



Nominal diameter

75, 100, 125 and 150 mm

Accuracy

±2.0 % of full scale

Temperature element

Coiled bimetal

Working range

Maximum scale value



Standard features

Location of stem

Center back with angle stem

Stem

6.0, 6.4, 8.0 and 10.0 mm diameter
304SS, 316SS and 316L SS
Max. Insertion length : 2,000 mm

Case

304SS

Zero adjustment

External

Cover

304SS

Stem, process connection

1/4", 3/8", 1/2", 3/4" PT, NPT and PF

Window

Glass

Option

±1.0 % of full scale

Dial

Metallic silver aluminium with black graduations

Certificates

ATEX II 2G Ex h IIC T6...T1 Gb /
ATEX II 2D Ex h IIIC T85°C...T450°C Db

Pointer

Metallic silver aluminium with black graduations

WISE[®]

I T140_01

Main order

Ordering information

1. Base model

T140 Process industry bimetal thermometer

2. Nominal diameter (mm)

3 75
4 100
5 125
6 150

3. Type of mounting

W Bottom connection, direct

4. Stem material

0 304SS
1 316SS
2 316L SS

5. Stem, process connection

A None
C 1/4"
D 3/8"
E 1/2"
F 3/4"
G 1 1/2S (Only available with sanitary)
H 2S (Only available with sanitary)
I 2 1/2S (Only available with sanitary)

6. Stem connection type (CF: Compression fitting)

A None
B PF
C PT
D NPT
E CF + PT
F CF + NPT
G CF + PF
H MT + PT (Movable thread)
I MT + NPT (Movable thread)
J MT + PF (Movable thread)
S Clamp (Sanitary type flange)

7. Stem outer diameter (mm)

0 6.0
1 6.4
2 8.0
3 10.0 (Not available process connection, 1/4")

8. Range

XXX Refer to scale range table

9. Insertion length

X Refer to insertion length table

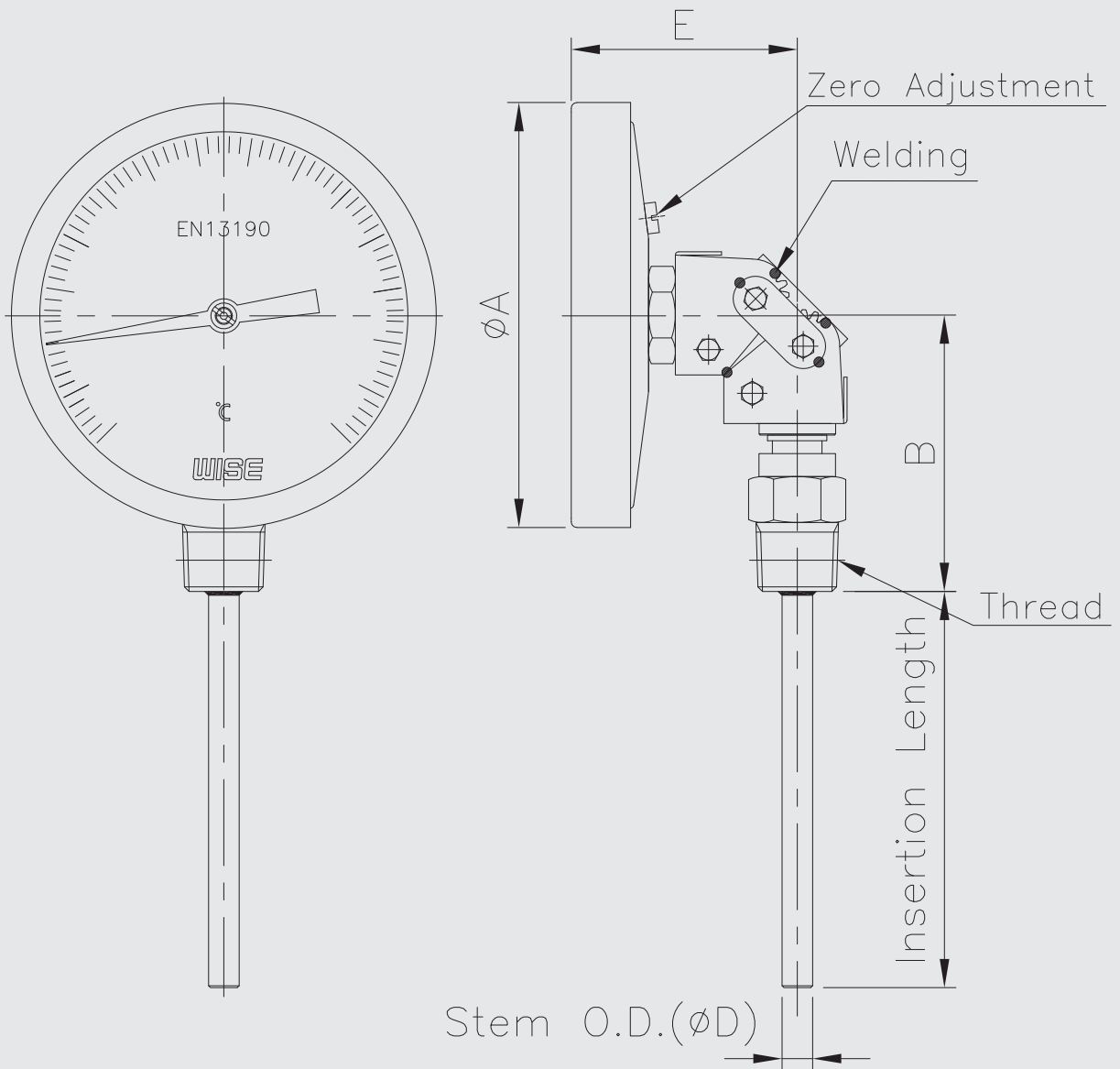
10. Accessories

0 None
1 Thermowell
2 Special accuracy (± 1.0 % of full scale)
3 Thermowell and special accuracy

Sample ordering code

1	2	3	4	5	6	7	8	9	10
T140	4	W	0	E	C	1	XXX	X	1

T140 : Type of mounting



Dimensions (mm)

Dial Size	A	B±2	E±2
75	86.5	70	53
100	111	70	57
125	137.5	70	55
150	169.5	95	68

Scale ranges

Code	Scale range (°C)	Scale spacing (°C)	Minimum stem length (mm)	
			6.0 and 6.4	8.0 and 10.0
032	-50 ~ 50	2	55	50
037	-50 ~ 100	2	45	35
054	-30 ~ 50	2	70	60
059	-30 ~ 100	2	50	45
061	-30 ~ 120	2	45	35
069	-20 ~ 50	2	80	70
074	-20 ~ 100	2	45	45
079	-20 ~ 150	5	40	35
084	-10 ~ 50	1	95	80
099	0 ~ 50	1	110	70
100	0 ~ 60	1	95	80
101	0 ~ 70	2	80	60
102	0 ~ 80	1	70	55
104	0 ~ 100	2	55	50
106	0 ~ 120	2	50	45
109	0 ~ 150	2	45	35
114	0 ~ 200	5	35	35
119	0 ~ 250	5	35	30
124	0 ~ 300	5	35	25
129	0 ~ 350	5	30	25
134	0 ~ 400	5	80	65
144	0 ~ 500	10	70	60
154	0 ~ 600	10	70	60

Insertion length

Code	1	2	3	4	5	6	7	8	9	A	B	C
Length (mm)	50	60	70	80	100	120	130	150	175	200	225	250

Code	D	E	F	G	H	J	K	L	M	N	P
Length (mm)	275	300	350	375	400	450	500	550	1,000	1,500	2,000