



Main characteristics:

- 7" TFT color display, resolution 800x480 pixel
- 10.1" TFT color display, resolution 1280x800 pixel
- 15.6" TFT color display, resolution 1366x768 pixel
- 21.5" TFT color display, resolution 1920x1080 pixel
- Dimmable LED backlight
- Projected capacitive touchscreen. True glass design.
- Multitouch operation
- Operating Temperature -20°C to +60°C
- cULus, cULus: Class 1 Div 2

PROFILE

G-Mation V45 products combine state-of-the-art connectivity features and top browsing performance in a great design.

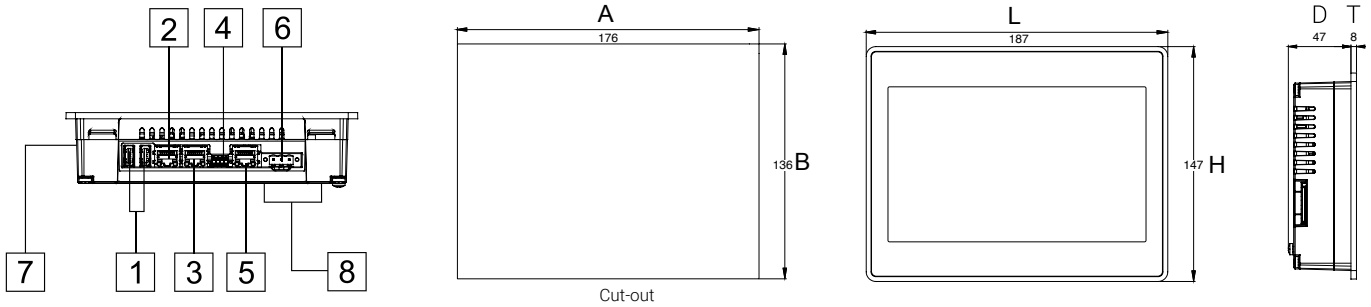
The glass projected capacitive touchscreen and the brilliant widescreen display guarantee great optical performance; with the support of multitouch gesture programming they can create the most natural human interfaces.

TECHNICAL DATA

Model	G-Mation V45 070-5-00	G-Mation V45 101-5-00	G-Mation V45 156-5-00	G-Mation V45 215-5-00
System Resources				
Display - Colors	7 TFT 16:9 LED - 16M	10.1 TFT 16:9 LED - 16M	15.6 TFT LED - 16M	21,5 TFT LED - 16M
Resolution	800x480 WVGA	1280x800 WXGA	1366x768, HD	1920x1080, full HD
Brightness	500 cd/m ²		400 cd/m ²	300 cd/m ²
Dimming	Yes			
Touchscreen	True Glass Projected Capacitive, Multitouch			
CPU	64-bit RISC quad core - 1.6GHz			
Operating System	Linux			
Flash	4 GB			
RAM	2 GB			
FRAM	64 Kbytes			
Real Time Clock, RTC Back-up	Yes			
Interface				
Ethernet port	3 (port 0 - 10/100/1000, port 1 - 10/100, port 2 - 10/100)			
USB port	2 (Host V2.0, max. 500 mA)			
Serial port	1 (RS-232, RS-485, RS-422, software configurable). Max 3 serial ports using plug-in modules.			
SD card	Yes			
Buzzer	Yes			
Expansion	2 slot for plug in modules			
Ratings				
Power supply	24 Vdc (10 to 32 Vdc)			
Current Consumption	0.7 A at 24 Vdc (max.)	1.0 A at 24 Vdc (max.)	1.2 A at 24 Vdc (max.)	1.7 A at 24 Vdc (max.)
Battery	Rechargeable Lithium battery, not user-replaceable			
Input Protection	Electronic			
Environment Conditions				
Operating Temperature	-20° to +60 °C (vertical installation). Plug-in modules and USB devices may limit max temperature to +50 °C			
Storage Temperature	-20°C to +70°C			
Operating / Storage Humidity	5-85% RH, non condensing			
Protection Class	IP66 (front), IP20 (rear) Type: 12, 4X			
Operating Height	0 to 2000 m			
Dimensions and Weights				
Faceplate LxH	187x147 mm (7.36x5.79")	282x197 mm (11.10x7.80)	422x267 mm (16.6x10.5)	552x347 mm (21,7x13,66)
Cutout AxB	176x136 mm (6.93x5.35")	271x186 mm (10.67x7.32")	411x256 mm (16.18x10")	541x336 mm (21.30x13.22")
Depth D+T	47+8 mm (1.85+0.31")	56+8 mm (2.20+0.33)		56+8.5 mm (2.20x 0.33")
Weight	1.5 Kg	2.5 Kg	4.1 Kg	6.1 Kg
Approvals				
CE	Emission EN 61000-6-4, Immunity EN 61000-6-2 for installation in industrial environments			
UL	cULus: UL61010-1 / UL61010-2-201			
UL	cULus: Class 1 Div 2			

DIMENSIONS

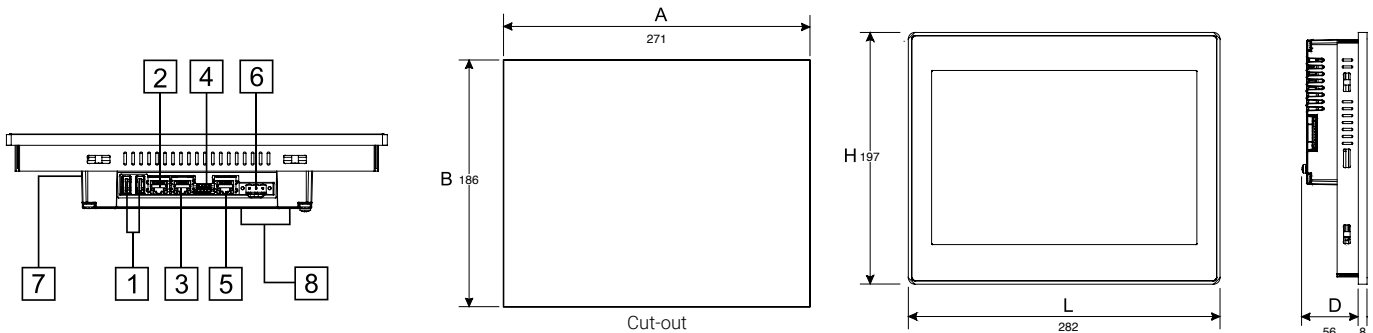
G-Mation V45 070-5-00



- | | |
|-------------------------------|--|
| 1 USB ports 1 and 2 | 5 Ethernet port 0 (10/100/1000 Mb) |
| 2 Ethernet port 2 (10/100 Mb) | 6 Power supply |
| 3 Ethernet port 1 (10/100 Mb) | 7 SD Card slot |
| 4 Serial port | 8 2 Expansion slots for plugin modules |

Code	Model	Description
F086923	G-Mation V45 070-5-00	7 widescreen TFT color with multitouch projected capacitive touchscreen. 3 Ethernet ports, 1 serial port, 2 USB ports.

G-Mation V45 101-5-00

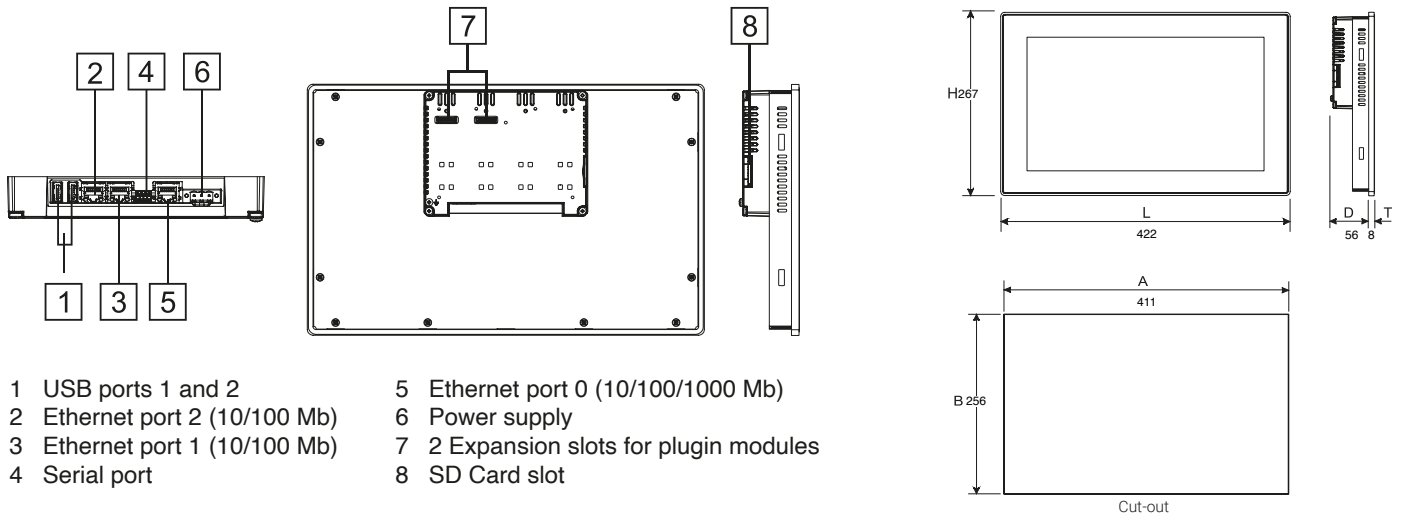


- | | |
|-------------------------------|--|
| 1 USB ports 1 and 2 | 5 Ethernet port 0 (10/100/1000 Mb) |
| 2 Ethernet port 2 (10/100 Mb) | 6 Power supply |
| 3 Ethernet port 1 (10/100 Mb) | 7 SD Card slot |
| 4 Serial port | 8 2 Expansion slots for plugin modules |

Code	Model	Description
F086929	G-Mation V45 101-5-00	10.1 widescreen TFT color with multitouch projected capacitive touchscreen. 3 Ethernet ports, 1 serial port, 2 USB ports.

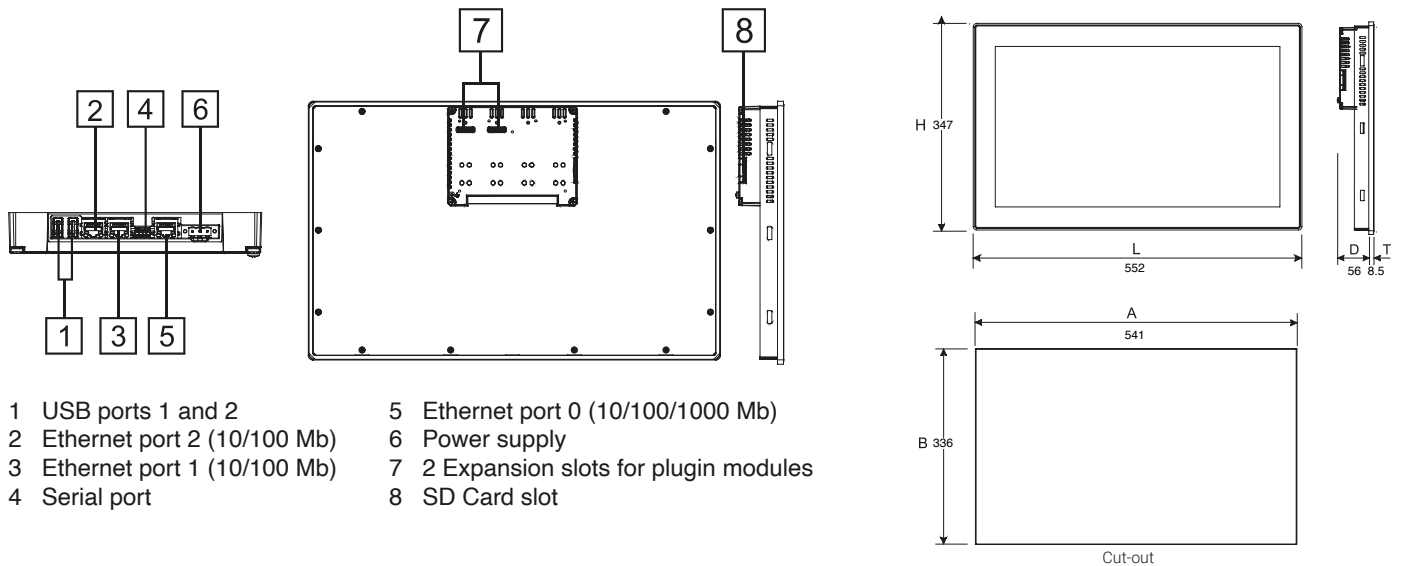
DIMENSIONS

G-Mation V45 156-5-00



Code	Model	Description
F086933	G-Mation V45 156-5-00	15.6 widescreen TFT color with multitouch projected capacitive touchscreen. 3 Ethernet ports, 1 serial port, 2 USB ports.

G-Mation V45 215-5-00



Code	Model	Description
F086941	G-Mation V45 215-5-00	21.5 widescreen TFT color with multitouch projected capacitive touchscreen. 3 Ethernet ports, 1 serial port, 2 USB ports.

ORDER CODE

G-Mation V4 - - - -

Protection rating	
IP 66 Front, IP20 Rear Flush mounting Power supply wired 24 Vdc 0,6-1,7 A	5
IP67 Full body Arm mounting Power supply IEEE 802.3bt 4PPoE Wi-Fi Connection and NFC Device	4
IP 66 Front, IP20 Rear, Flush mount. 44-keys integrated keyboard Power supply wired 24 Vdc 0,6-1,7 A	1

TBD	
00	TBD

Display size	
7,0" TFT 16:9 - 16M colors Resolution 800x480 Model V45 Resolution 1024x600 Model V44	070
10,1" TFT 16:9 - 16M colors Resolution 1280x800	101
12,1" TFT 4:3 - 16M colors Resolution 1024x768	121
15,6" TFT 16:9 - 16M colors Resolution 1366x768	156
21,5" TFT 16:9 - 16M Resolution 1920x1080 FULL HD	215

CPU	
ARM...	
"i.MX8M Mini Quad ARM Cortex-A53 1.6 GHz 2 GB RAM - 8GB Flash Disk"	5
ARM...	
ARM...	