

## GENERAL

**ALIAMAG** The AMF601 Series is a sanitary-type electromagnetic flowmeter ideal for conductive liquids. It comes in sizes from 10-80 mm. The AMF601 is widely used for drink water, milk, food & beverage juice and many other industrial fluids.

AMF601 Series electromagnetic flowmeter can be used in compact or remote model with AMC Series converter of electromagnetic flowmeter.

## FEATURES

- Light and compact version
- Flow velocity range: 0-12 m/s, precise in low flow applications
- IDF Tri-Clamp or Union screw Connection
- Excellent for high pressure application
- Protection class: IP68 available; sensor submersible
- FEP liner is suitable for vacuum tube
- High accuracy of +/-0.4% value of reading (or +/-0.2% value of reading)
- With Forward / Reverse flowrate measurement function

## STANDARD SPECIFICATION

- |                   |   |                        |  |
|-------------------|---|------------------------|--|
| ● Size            | : 10,15, 20, 25, 32, 40, 50, 65, 80 mm      | ● Cable Entry          | : Standard: M20 Option: 1/2" NPTF        |
|                   | : 3/8", 1/2", 3/4", 1", 1-1/4", 1-1/2", 2", | ● Ambient Temperature  | : -25 ~ 60 °C                            |
|                   | 2-1/2", 3"                                  | ● Process Connection   | : IDF Tri-Clamp                          |
| ● Measuring Range | : Velocity 0-0.25 m/s Min.                  |                        | : Union Screw                            |
|                   | 0-12 m/s Max.                               | ● Grounding Resistance | : Must be less than 10 Ω                 |
| ● Material        |   | ● Accuracy             | : +/-0.5% reading (Velocity≥0.5 m/s)     |
| Tube & Connection | : Stainless Steel 304 (Standard)            |                        | : +/-0.2% reading                        |
|                   | Stainless Steel 316L (Option)               |                        | (Suitable for AMC3200 / 3200E converter) |
| Coil Housing      | : Stainless Steel 304 (Standard)            |                        | : +/-0.0025 m/s (Velocity<0.5 m/s)       |
|                   | : Stainless Steel 316L (Option)             | ● Temperature          | : -40 ~ 140 °C                           |
| Liner             | : FEP                                       | ● Max. Pressure        | : 10 kgf/cm <sup>2</sup> (Standard)      |
| Electrode         | : Stainless Steel 316L                      |                        | : 40 kgf/cm <sup>2</sup> (Option)        |
|                   | : Hastelloy B                               | ● Protection Class     | : Junction box IP67, Body IP68           |
|                   | : Hastelloy C                               |                        | : IP68 (Submersible)                     |
|                   | : Titanium                                  | ● Explosion Proof      | : Ex d ia [ia] q IIC T6                  |
|                   | : Tantalum                                  |                        | (with AMC3200, AMC3200DF only)           |
|                   | : Tungsten Carbide                          |                        |  |
|                   | : Platinum                                  |                        |  |
| ● Conductivity    | : More than 5 μS/cm                         |                        |  |

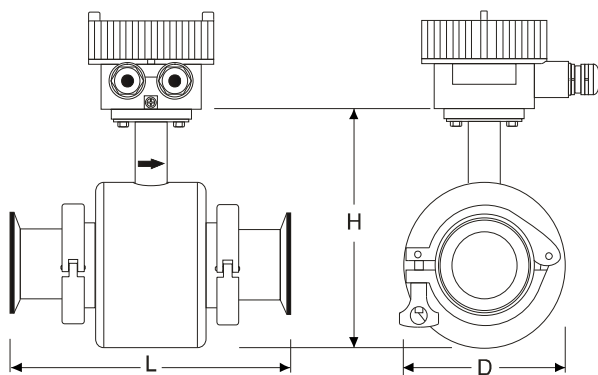


**FLOW RANGE**

Unit: m<sup>3</sup>/hr

Normal Size		Flow Range & Velocity Table						
mm	Inch	Min. 0-0.25 m/s	1.0 m/s	2.0 m/s	3.0 m/s	5.0 m/s	10.0 m/s	Max. 0-12 m/s
10	3/8"	0 to 0.07	0.28	0.57	0.85	1.4	2.8	0 to 3.4
15	1/2"	0 to 0.16	0.64	1.27	1.91	3.18	6.4	0 to 7.6
20	3/4"	0 to 0.28	1.13	2.26	3.39	5.65	11.3	0 to 13.6
25	1"	0 to 0.44	1.77	3.53	5.30	8.84	17.7	0 to 21.2
32	1-1/4"	0 to 0.72	2.90	5.79	8.69	14.5	29.0	0 to 34.7
40	1-1/2"	0 to 1.13	4.52	9.05	13.6	22.6	45.2	0 to 54.3
50	2"	0 to 1.77	7.07	14.1	21.2	35.3	70.7	0 to 84.8
65	2-1/2"	0 to 2.99	11.9	23.9	35.8	59.7	119	0 to 143
80	3"	0 to 4.52	18.1	36.2	54.3	90.5	181	0 to 217

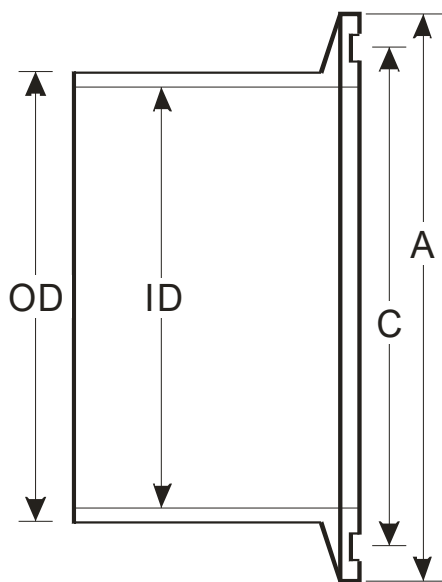
**DIMENSIONS**



Size		Dimensions (mm)			Weight
mm	Inch	L	D	H	kg
10	3/8"	150	84	132	2.1
15	1/2"	150	84	132	2.1
20	3/4"	150	84	132	2.3
25	1"	150	99	147	2.7
32	1-1/4"	150	99	147	3.0
40	1-1/2"	150	99	147	4.0
50	2"	150	112	160	4.8
65	2-1/2"	200	120	168	5.8
80	3"	200	137	185	7.8

**TRI-CLAMP SPECIFICATIONS**

Unit: mm

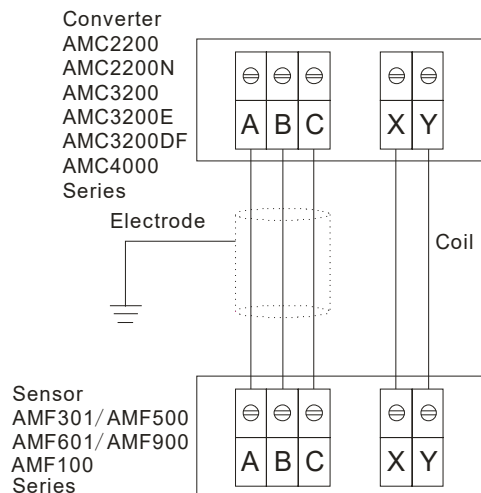


HAB									
Pipe Size	ID	OD	A	C	1"	1-1/2"	2"	2-1/2"	3"
					25	40	50	65	80
	22.1					34.8	47.5	60.2	72.9
		25.4				38.1	50.8	63.5	76.2
			50.4			50.4	64.0	77.4	91.0
				43.6		43.6	56.3	70.6	83.3

HDB (DIN 32676)									
Pipe Size	3/8"	1/2"	3/4"	1"	1-1/4"	1-1/2"	2"	2-1/2"	3"
	10	15	20	25	32	40	50	65	80
ID	10.0	16.0	20.0	26.0	32.0	38.0	50.0	66.0	81.0
OD	14.0	20.0	24.0	30.0	36.0	42.0	54.0	70.0	85.0
A	34.0	34.0	34.0	50.5	50.5	50.5	64.0	91.0	106
C	27.5	27.5	27.5	43.5	43.5	43.5	56.5	83.5	97.0

HKB (ISO 2852)									
Pipe Size	3/8"	1/2"	3/4"	1"	1-1/4"	1-1/2"	2"	2-1/2"	3"
	10	15	20	25	32	40	50	65	80
ID	12.0	17.2	21.3	22.6	31.3	35.6	48.6	60.3	72.9
OD	16.0	21.2	25.3	25.6	34.3	38.6	51.6	64.1	76.7
A	34.0	34.0	34.0	50.5	50.5	50.5	64.0	77.5	91.0
C	27.5	27.5	27.5	43.5	43.5	43.5	56.5	70.5	83.5

➤ WIRING DIAGRAM



➤ MODEL SELECTION GUIDE

AMF601 Series										
Example: AMF601-F050-SK4-030-EX										
AMF601-	X	XXX	-X	X	X-	XXX	-XX	Description		
Liner	F								FEP	
Size	010-080								10-80 mm	
Electrode Material	-S								Stainless Steel 316L	
	-T								Titanium	
	-B								Hastelloy B	
	-C								Hastelloy C	
	-A								Tantalum	
	-P								Platinum	
	-U								Tungsten Carbide	
	-Z								Others	
Process Connection	A								Tri-Clamps, HAB	
	D								Tri-Clamps, HDB (DIN 32676)	
	K								Tri-Clamps, HKB (ISO 2852)	
	S								Screw Unions (DIN 11851)	
Connections / Housing Material	4-								S.S. 304 Connections / S.S. 304 Housing	
	A-								S.S. 316L Connections / S.S. 316L Housing	
Installation & Cable Length	NNN								Compact Version	
	005-300								Remote Version, Cable 5-300 m	
Option	-NN								None	
	-EX								Explosion Proof, Ex d ia [ia] q IIC T6 (with AMC3200, AMC3200DF Only)	
	-HP								Pressure Higher Than 10 kgf/cm <sup>2</sup>	
	-PT								Cable Entry 1/2" NPTF	
	-LR								Low-resistance coil (with AMC3200DF only)	

**➤ BUILD OPTIONS-(COMPACT OR REMOTE)**

