



# ALIAMAG

## Converter For Electromagnetic Flowmeter

### Model AMC4000 Series

## GENERAL

**ALIAMAG** The ALIAMAG AMC4000 Series converter is a microprocessor-based intelligent transmitter that can be paired with any of the Alia AMF series sensors. The unit features multiple display parameters including flow rate, flow total, diagnostics, programming and troubleshooting.

## FEATURES

- Battery life 2-3 years in normal working condition
- Accuracy of +/-0.3% value of reading
- Bi-directional flow measurement, current and pulse output
- 3 lines of LCD display flowrate and totalizer
- Records up to 99 power on / off time
- IP67 / IP68 protection class

## STANDARD SPECIFICATION

- Excitation : DC pulsed
- Display : 3 Lines of LCD
  - Page 1 / Line 1 : 5-Digit flowrate
  - Page 1 / Line 2 : 11-Digit forward totalizer
  - Page 1 / Line 3 : Flow Percentage
  - Page 2 / Line 1 : 11-Digit totalizer
  - Page 2 / Line 2 : 11-Digit reverse totalizer
  - Page 2 / Line 3 : Display instantaneous velocity
  - Page 3 : Alarm
- Flow Unit : m<sup>3</sup>/hr, m<sup>3</sup>/min, m<sup>3</sup>/sec, L/hr, L/min  
GPH, GPM, GPS, mL/hr, mL/min, mL/s
- Totalizer Unit : m<sup>3</sup>, Gallon, Liter, mL
- Measuring Range : Min. 0-0.15 m/s  
: Max. 0-15.0 m/s
- Accuracy : +/-0.3% of reading (Velocity ≥ 0.5 m/s)  
: +/-0.0015 m/s (Velocity < 0.5 m/s)
- Repeatability : +/-0.05% of reading
- Pulse Output : Open collector  
Load : 3-30 VDC, Max. 20 mA
- Pulse Rate : 1) Scaled pulse (Liter / Pulse, other)  
: 2) Frequency: 1-5000 Hz
- Keypad : 4 Control keys to change parameters  
and switch display interface
- Damping : 0.1-99.9 s
- Data Storage : Operation parameters and totalizer are  
stored by EEPROM for more than 10 years
- Low Flow Cutoff : 0-9.9%
- Self Diagnosis : The following error messages  
are displayed if failure occurs
  - Coil failure
  - Power failure
  - Overranged output
  - Internal error
  - Overflow
  - Empty pipe
- Cable Entry : Standard: PG11 Option: 1/2" NPTF
- Protection Class : IP67  
: IP68 (Submersible)
- Ambient Temp. : -25~65 °C
- Housing Material : Aluminum alloy
- Power Supply : 3.6 V battery, Size D
- Battery Life : 2-3 Years  
Determined by size & function
- Communication Protocol : RS485 (MODBUS protocol)
- Weight : 2.0 kg (Compact)  
4.3 kg (Remote)
- Mounting : Wall mounting  
Bracket on 2" pipe  
Compact version (Installed on sensor)



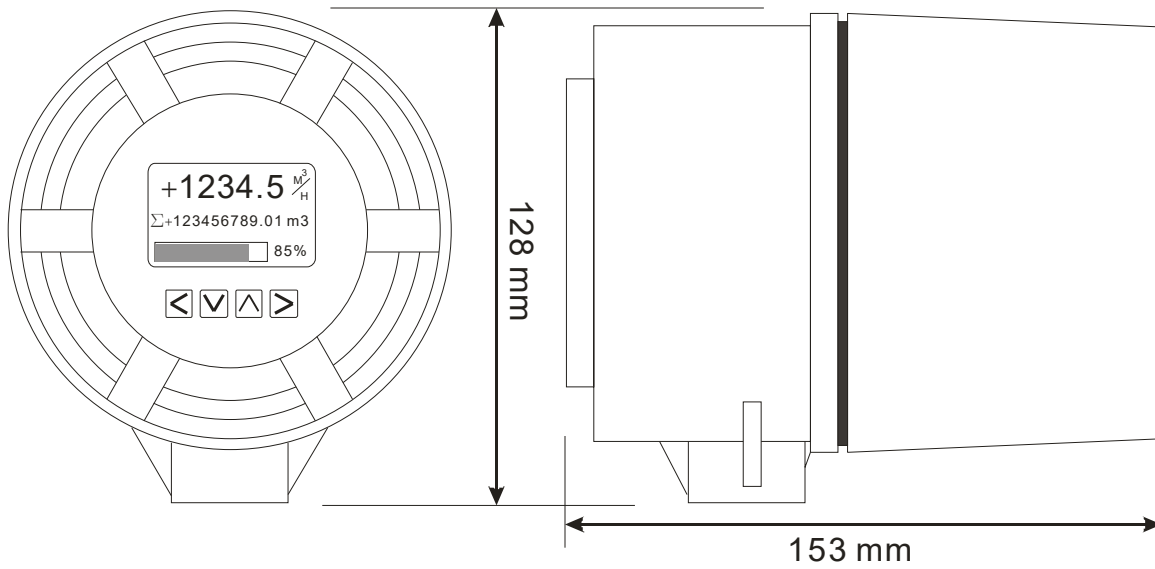
## ALIA TECHNOLOGY LLC

633 W. 5th Street, 26th Floor, Los Angeles, CA 90071, USA  
TEL : + 1 - 213 - 533 - 4139 FAX : + 1 - 213 - 223 - 2317

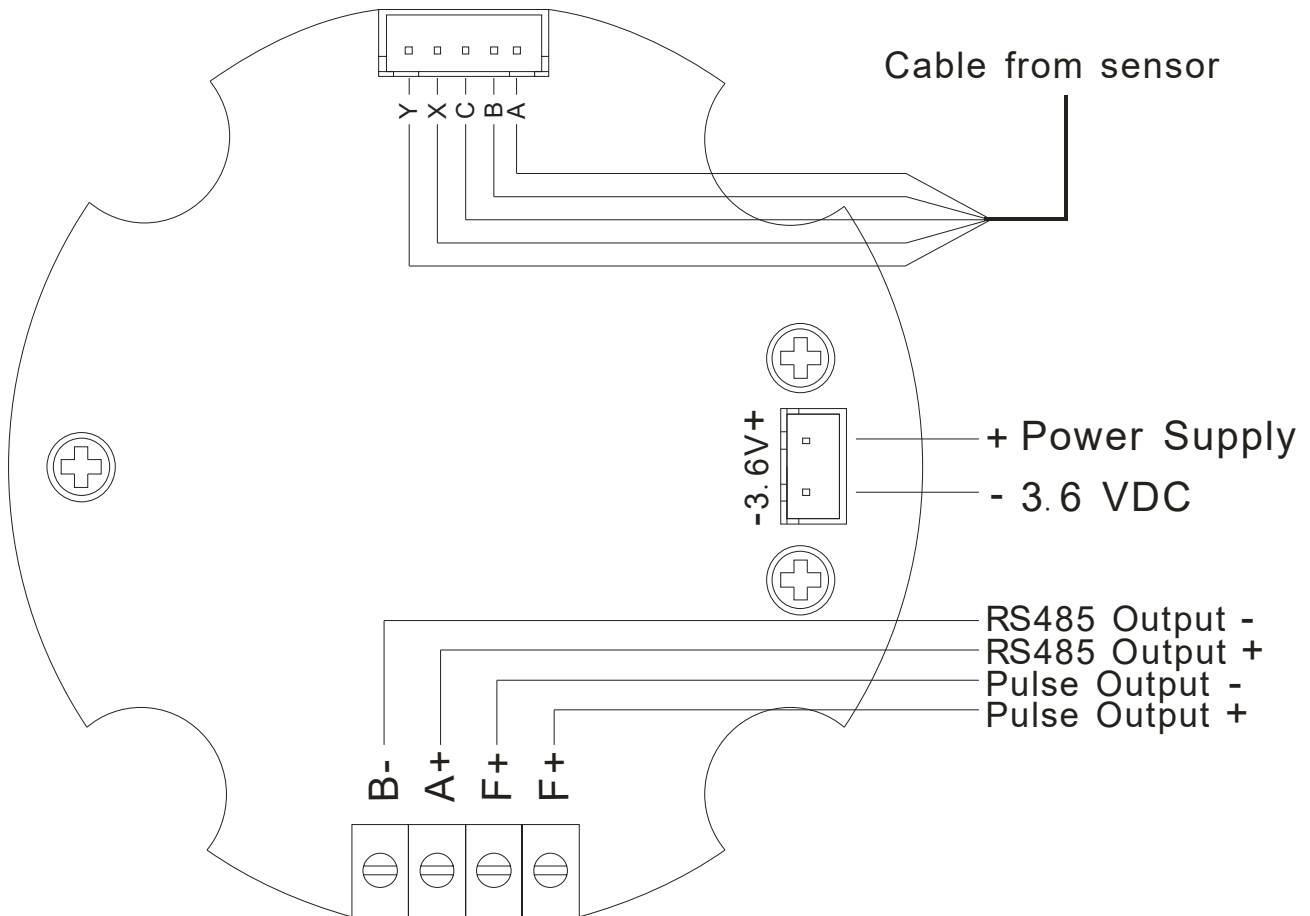


URL : [www.alia-inc.com](http://www.alia-inc.com)  
E-mail : [alia@alia-inc.com](mailto:alia@alia-inc.com)  
AMC4000V1.2.3.r8.LT.en

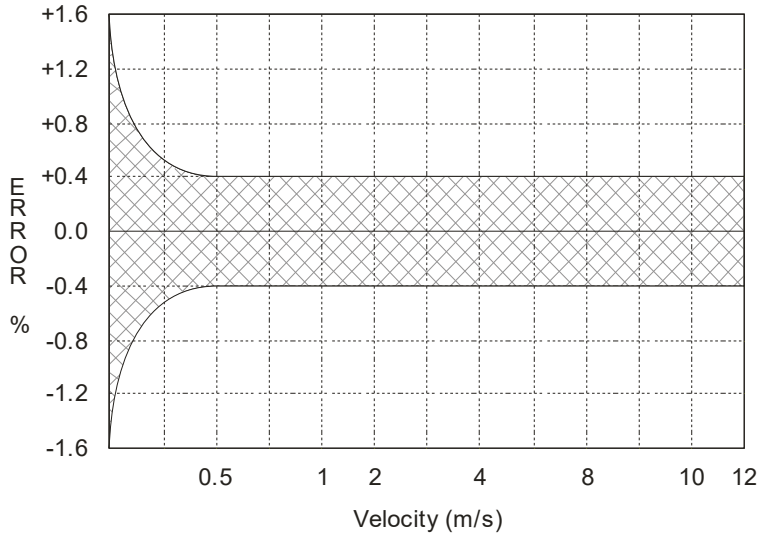
**➤ DIMENSIONS**



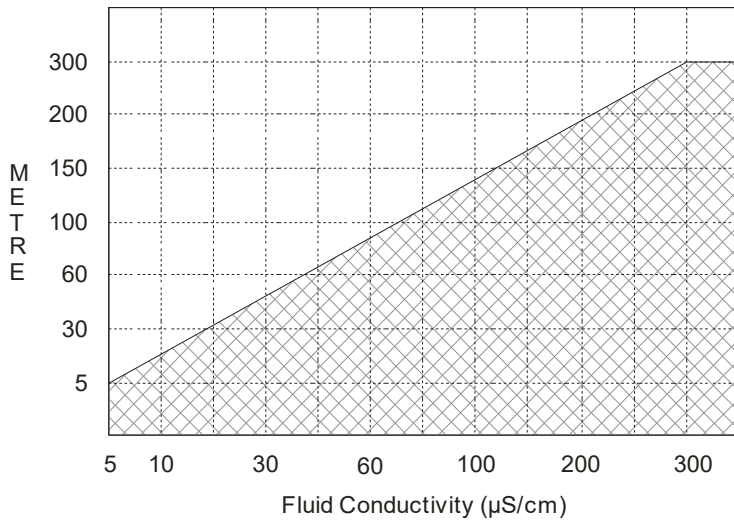
**➤ WIRING DIAGRAM**



**ACCURACY**



**CABLE LENGTH BETWEEN SENSOR & CONVERTER**



**MODEL SELECTION GUIDE**

AMC4000 Series					
Example: AMC4000-CP-NN-BX-NN					
AMC4000-	XX-	XX-	XX-	XX	Description
Mounting	CP-				Compact with Sensor (Max. Operating Temperature: 80 °C)
	CH-				Compact with Sensor (Max. Operating Temperature: 120 °C)
	SW-				Remote, Wall Mounting
	S2-				Remote, 2" Mounting Bracket
Protection Class	NN-				IP67
	68-				IP68 (Submersible)
Battery	BX-				Battery Box without Battery
	BT-				Battery Box with Battery, 3.6 V / Size D * 4 Pcs
Cable Entry	NN				None
	EP				6 pin IP65 connector (External Power / Frequency / RS485)
	PT				1/2" NPTF

**➤ BUILD OPTIONS-(COMPACT OR REMOTE)**

Remote Type



Compact Type