



ALIAMAG

Converter For Electromagnetic Flowmeter

Model AMC3200DF Series

GENERAL

ALIAMAG The AMC3200DF Series converter features dual frequency excitation. The reduced noise and improved signal to noise ratio make it more ideal for slurry measurement in various industries such as papermaking and chemistry. The unit features multiple display parameters including flow rate, flow total, diagnostics, programming and troubleshooting. It's equipped with Bluetooth, HART and MODBUS communication functions.

FEATURES

- Dual Frequency Excitation Method
- Three-line OLED display Flow Rate / Totalizer...
- Accuracy of +/-0.4% value of reading
- Bi-directional flow measurement, current and pulse output
- Explosion Proof, Ex d ia [ia] q IIC T6
- Bluetooth / MODBUS / HART communication
- Converter can be rotated in four directions for easy installation

STANDARD SPECIFICATION

- | | | | |
|-------------------|--|------------------------|--|
| ● Excitation | : Dual Frequency Excitation | ● Keypad | : 4 Internal keys for programming and display control |
| ● Display | : 3 Lines OLED | ● Data Storage | : Operation parameters and totalizer figures are stored by EEPROM for more than 10 years |
| Line 1 | : Empty pipe symbol / Alarm / Batch control symbol | ● Low Flow Cutoff | : 0-9.9% |
| | : Percentage progress bar / Message / Clr tot | ● Damping | : 0-99 Seconds |
| Line 2 | : 11 Digit flowrate / velocity / % / mA / Hz / Tot | ● Density Setting | : 0.0001-9999.9 kg/m ³ |
| Line 3 | : 9 Digit totalizer for forward flow | ● Self Diagnosis | : The following error messages are displayed if failure occurs |
| | : 9 Digit totalizer for reverse flow | | -Abnormal sample |
| | : 9 Digit totalizer for difference | | -Pulse width |
| | : 11 Digit flowrate | | -OVERRANGED OUTPUT |
| Totalizer Unit | : m ³ , L, mL, gal, lgal, Mgal, ft ³ , bbl, a-ft | | -INTERNAL ERROR |
| | kg, g, lb, t, Ston, Lton | | -Overflow |
| Time Unit | : sec, min, hour, day | | -Empty pipe |
| ● Measuring Range | : Min. 0-0.15 m/s , Max. 0-15 m/s | ● Cable Entry | : Standard: M20 Option: 1/2" NPTF |
| ● Accuracy | : +/-0.4% of reading (Velocity ≥ 1.0 m/s) | ● Protection Class | : IP67, Explosion Proof, Ex d ia [ia] q IIC T6 |
| | : +/-0.002 m/s (Velocity: 0.3...1.0 m/s) | ● Ambient Temperature | : -40~70 °C |
| ● Repeatability | : +/-0.2% of reading | ● Material | : Aluminum Alloy |
| ● Current Output | : 4-20 mA (Isolated) | ● Power Supply | : 90-260 VAC, 50/60 Hz |
| | Load : Max. 500 Ω | | : 24 VDC +/-10% (Option) |
| ● Pulse Output | : Open collector | ● Power Consumption | : 6-8 W (Dependent on sensor size) |
| | Rating : 3-30 VDC, 50 mA Max. | ● Weight | : 4.5 kg |
| ● Pulse Rate | : 1)Scaled pulse (mL/Pulse, L/Pulse, Other) | ● Mounting | : Bracket on 2" pipe |
| | : 2)Frequency: 0-5000 Hz | ● AMF Collocation Type | : AMF900, AMF601, AMF500 |
| ● Pulse Width | : 50% of band width | ● Sensor Size | : DN10-DN450 |
| ● Alarm | : High / Low with open collector output | | |
| | Rating : 3-30 VDC, 50 mA Max. | | |
| ● Communication | : Bluetooth (Android) Standard | | |
| | : RS485 (MODBUS Protocol) Standard | | |
| | : HART signal (Compatible) Optional | | |



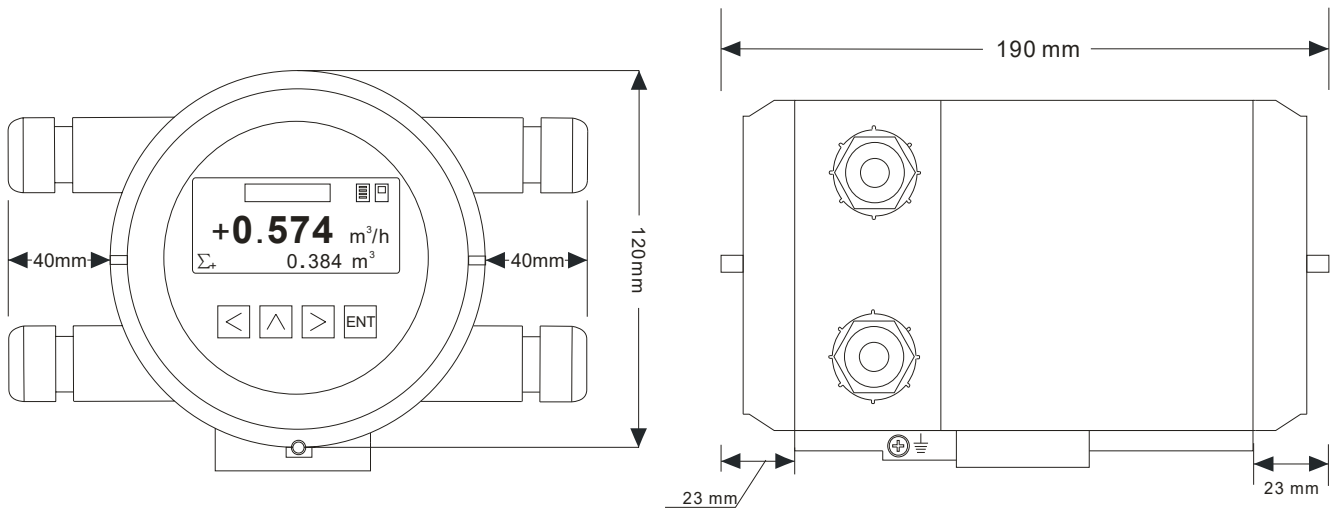
ALIA TECHNOLOGY LLC

633 W. 5th Street, 26th Floor, Los Angeles, CA 90071, USA
 TEL : + 1 - 213 - 533 - 4139 FAX : + 1 - 213 - 223 - 2317

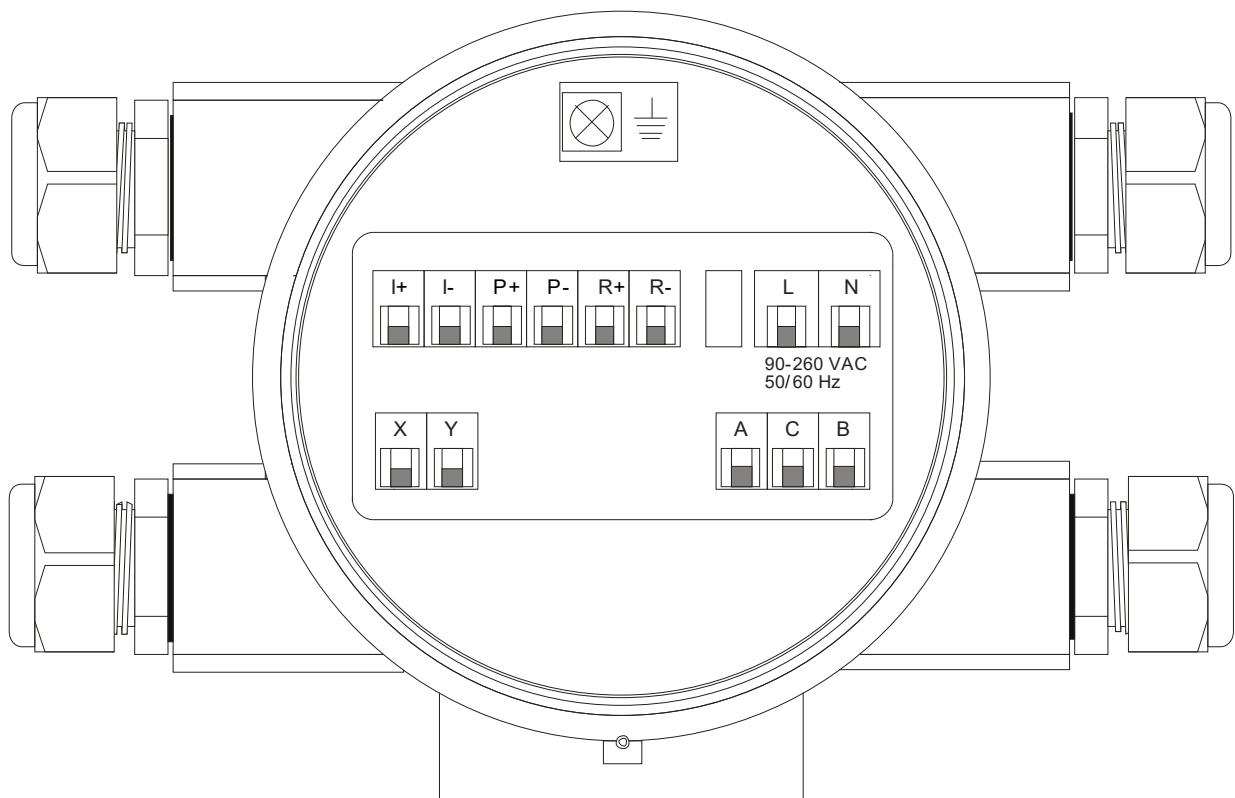


URL : www.alia-inc.com
 E-mail : alia@alia-inc.com
 AMC3200DFV1.2.4.A4.en

➤ DIMENSIONS



➤ WIRING DIAGRAM

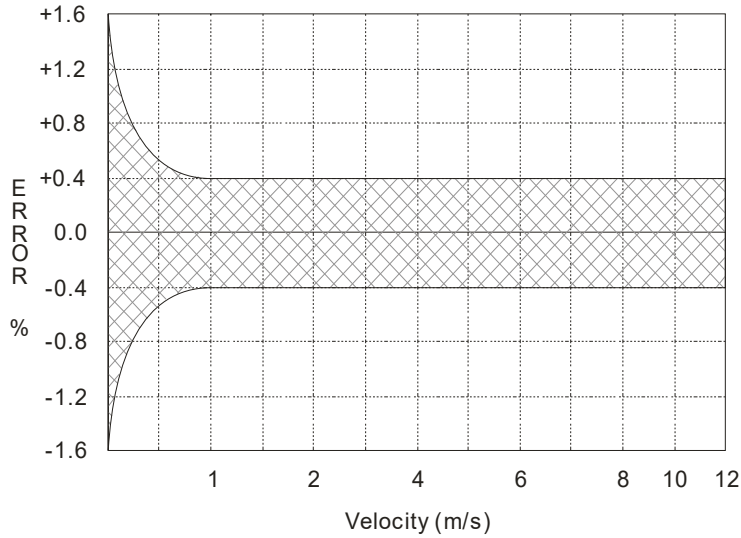


I+: 4-20 mA Output +
I-: 4-20 mA Output -

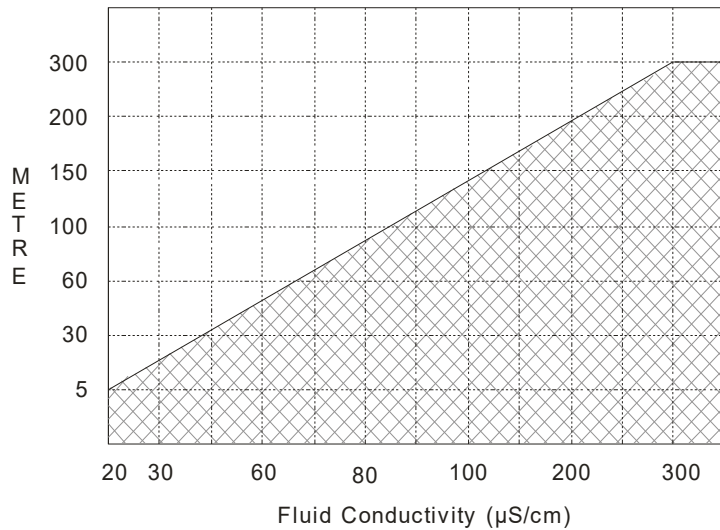
P+: Pulse Output +
P-: Pulse Output -

R+: RS485 Output +
R-: RS485 Output -

➤ ACCURACY



➤ CABLE LENGTH BETWEEN SENSOR & CONVERTER



➤ MODEL SELECTION GUIDE

AMC3200DF Series					
Example: AMC3200DF-AC-CP-EX-HT/PT					
AMC3200DF-	XX-	XX-	XX-	XX	Description
Power Supply	AC-				90-260 VAC, 50/60 Hz
	DC-				24 VDC, +/-10%
Mounting		CP-			Compact with Sensor (Max. Operating Temperature: 80 °C)
			CH-		Compact with Sensor (Max. Operating Temp.: 120 °C, Without EX)
				S2-	Remote, 2" Mounting Bracket or Wall Mounting
Protection Class			NN-		IP67
				EX-	Explosion Proof, Ex d ia [ia] q IIC T6
Option			NN		None
				HT	HART Signal (Compatible)
				PT	Cable Entry 1/2" NPTF

➤ BUILD OPTIONS-(COMPACT OR REMOTE)

