

—  
USER GUIDE

# LWT300 series

## Guided Wave Radar Level Transmitter



---

# Disclaimer

This guide and any accompanying software are copyrighted and all rights are reserved by ABB. The product, including its software and documentation, may not be copied, photocopied, reproduced, translated, or reduced, in whole or in part, to any electronic medium or machine-readable format without prior written consent from ABB.

This document contains product specifications and performance statements that may be in conflict with other ABB published literature, such as product fliers and catalogs. All specifications, product characteristics, and performance statements included in this document are given as indications only. In case of discrepancies between specifications given in this document and specifications given in the official ABB product catalogs, the latter takes precedence.

ABB reserves the right to make changes to all equipment and software specifications, and to the content of this document, without obligation to notify any person or organization of such changes. Every effort has been made to ensure that the information contained in this document is current and accurate. However, no guarantee is given or implied that the document is error-free or that the information is accurate.

ABB makes no representations or warranties with regard to the product and instructional and reference materials, including, but not limited to, all implied warranties of merchantability and fitness for a particular purpose.

ABB does not warrant, guarantee, or make any representations regarding the use, or the results of the use, of any software or written materials in terms of correctness, accuracy, reliability, currentness, or otherwise. ABB shall not be liable for errors or omissions contained in its software or guides, any interruptions of service, loss of business or anticipatory profits and/or for incidental or consequential damages in connection with the furnishing, performance, or use of these materials, even if ABB has been advised of the possibility of such damages.

All equipment, software, and guides are sold as is. The entire risk, as to the results and performance of the equipment and software, is assumed by the user.

The software or hardware described in this document is distributed under a license and may be used, copied, or disclosed only in accordance with the terms of such license.

© ABB, 2018

---

# Table of Contents

<b>1 Safety</b>	
Definitions .....	<b>1</b>
Personnel .....	<b>3</b>
Electrical.....	<b>3</b>
Grounding .....	<b>4</b>
Environmental (WEEE) .....	<b>5</b>
Cybersecurity.....	<b>5</b>
HART protocol disclaimer.....	<b>5</b>
General deployment guidelines.....	<b>6</b>
<b>2 Introduction</b>	
About this guide.....	<b>7</b>
Basics of LWT level measurement .....	<b>7</b>
First look.....	<b>9</b>
The head .....	<b>9</b>
The coupler .....	<b>9</b>
As shipped .....	<b>10</b>
Basic installation procedure.....	<b>11</b>
Disclaimers .....	<b>11</b>
Improper use .....	<b>11</b>
Technical limit values .....	<b>11</b>
Operator liability .....	<b>12</b>
<b>3 Installing the LWT</b>	
Safety first!.....	<b>13</b>
Before you start.....	<b>13</b>
Environmental considerations.....	<b>14</b>
Power-specific considerations .....	<b>14</b>
Cable- and cable gland-specific considerations .....	<b>14</b>
Nozzle-specific considerations .....	<b>15</b>
Vessel-specific considerations.....	<b>15</b>
Gathering the necessary tools.....	<b>15</b>
Accessing the location .....	<b>16</b>
Attaching a probe to the coupler/head assembly .....	<b>17</b>
Attaching a probe (cable/rigid) on a standard coupler.....	<b>17</b>
Installing the LWT system .....	<b>19</b>
Rotating the housing .....	<b>19</b>
Rotating the LCD.....	<b>20</b>
Grounding the instrument.....	<b>22</b>
Bringing power to the instrument.....	<b>23</b>
Establishing communication with the instrument .....	<b>26</b>
Upon startup.....	<b>27</b>
<b>4 Introducing the user interface</b>	
Introducing LWT user interfaces.....	<b>29</b>
Accessing menus .....	<b>30</b>
Navigating the instrument display .....	<b>31</b>
<b>5 Configuring the instrument at startup</b>	
<b>6 Configuring the instrument</b>	
Configuring the display .....	<b>37</b>
Language.....	<b>37</b>
Contrast.....	<b>37</b>
Number of decimals.....	<b>38</b>
Date format.....	<b>38</b>
Configuring Operator pages.....	<b>39</b>
Enabling Operator page autoscroll .....	<b>40</b>
Protecting access to instrument data.....	<b>40</b>
Setting up role-based passwords .....	<b>41</b>
Resetting passwords.....	<b>41</b>
Preventing unwanted deletion of data.....	<b>41</b>
Setting up the primary value (PV).....	<b>43</b>
Selecting the value .....	<b>43</b>
Selecting the primary value unit.....	<b>43</b>
Unlinking the primary value from the empty/full values.....	<b>43</b>
Configuring the sensor .....	<b>44</b>
Changing the distance measurement unit.....	<b>44</b>
Selecting the application category .....	<b>44</b>
Disabling tracking of false echoes.....	<b>44</b>
Setting up the application .....	<b>45</b>
Changing the probe type.....	<b>45</b>
Changing the probe length.....	<b>45</b>
Selecting a tank type .....	<b>46</b>
Setting the nozzle length.....	<b>46</b>
Setting the bypass/sw pipe diameter .....	<b>46</b>
Changing the end of probe mode.....	<b>46</b>
Toggling the remote transmitter state .....	<b>46</b>
Setting process conditions.....	<b>47</b>

Setting data filtering parameters.....	47	Event codes and recommendations.....	69
Selecting a maximum level rate.....	47	Masking classes of events.....	70
Setting up a median filter.....	48	Diagnosing from a waveform.....	71
Setting up a damping period.....	48	Introducing the waveform display.....	71
Setting process parameters.....	49	Accessing the waveform display.....	71
Setting process alarms.....	49	Navigating through echoes.....	72
Setting process safety parameters.....	50	Recording a waveform.....	72
Managing lost echoes.....	51	Performing simulations and tests.....	73
Setting up linearization.....	52	Performing standard simulations.....	73
Understanding linearization.....	52	Performing current simulations.....	73
Accessing the linearization function.....	54	Obtaining device status data.....	74
Setting the linearization input unit.....	54	Probe length.....	74
Setting the linearization output unit.....	54	Terminal voltage.....	74
Setting the maximum volume/flow value.....	54	Electronics temperature.....	74
Setting vessel parameters.....	54	Total run time.....	75
Setting up linearization points.....	55	Accessing device information.....	75
Saving your linearization table.....	55		
Enabling the linearization function.....	55	<b>A Specifications.....</b>	<b>A77</b>
Managing saved linearization tables.....	56	<b>B HMI menu tree.....</b>	<b>B79</b>
Managing device setups.....	57		
Saving a default user setup.....	57		
Resetting to default user setup.....	57		
Resetting to factory default.....	57		

## 7 Setting calibration parameters

Setting level calibration parameters.....	59
Changing the empty/zero value.....	59
Changing the full/span value.....	60
Adding a level offset.....	60
Adding a sensor offset.....	61
Setting upper/lower (4–20 mA) reference values.....	61
Setting 4–20 mA D/A trim.....	62
Setting the 4 mA trim.....	62
Setting the 20 mA trim.....	62
Resetting the D/A trim.....	63
Setting a current simulation.....	63

## 8 Configuring communications

Setting dynamic values.....	65
Activating multidrop mode.....	66
Setting devices address.....	66
Locating an instrument with tags.....	66
Browsing communication info.....	66

## 9 Maintenance and troubleshooting

Diagnosing problems.....	67
Browsing the diagnostics history.....	68
Clearing the diagnostic history.....	68

---

## CHAPTER 1

# Safety

This instrument has been manufactured in accordance with state-of-the-art procedures; it is operationally safe. It has been tested and left the factory in perfect working condition. The information in this guide, as well as all applicable documentation and certificates, must be observed and followed to maintain this condition throughout the period of operation.

This chapter provides an overview of the safety conditions that must be observed when installing and operating the instrument. Full compliance with all general safety requirements must be observed during instrument operation. For personnel and system safety, and to ensure optimum performance, make sure that you thoroughly understand the content of this guide before installing, using and maintaining the instrument, and carefully plan any installation, modification, or repair before actually proceeding.

Additionally, each chapter in this guide contains descriptions of processes or procedural instructions with their own specific safety information. Only by observing all safety information can you minimize the risks of hazards to personnel and/or the environment.

## Definitions

This document uses the following symbols to bring attention to key technical and safety-related information.



### DANGER—SERIOUS DAMAGE TO HEALTH/RISK TO LIFE

Indicates a hazardous situation that, if not avoided **will** result in death or serious injury.



### WARNING—DAMAGE TO HEALTH/RISK TO LIFE

Indicates a hazardous situation that, if not avoided **could** result in death or serious injury.



### CAUTION—DAMAGE TO HEALTH

Indicates a hazardous situation that, if not avoided, could result in **minor or moderate injury**.



### NOTICE

Indicates information considered important, but not hazard related, that could impact things **other than personal injury**, like property damage.



#### WARNING—HIGH VOLTAGE

Indicates the presence of electrical energy at voltages high enough **to inflict harm on living organisms.**



#### WARNING—SHARP EDGES

Indicates the presence of sharp edges that could cause personal injury if touched.



#### WARNING—HOT SURFACES

Indicates the presence of heat sufficient enough to cause burns.



#### ELECTROSTATIC DISCHARGES

Indicates a device or part of a device that is susceptible to electrostatic discharges.



Identifies any terminal intended for connection to an external conductor for protection against electrical shock in case of a fault, or the terminal of a protective earth (ground) electrode.



Identifies protective earth conductor terminals.



Indicates the presence of direct current.

# Personnel



## WARNING

**Only** qualified and authorized personnel should be put in charge of the installation, electrical connection, commissioning, operation, and maintenance of the instrument. This personnel must hold the necessary qualifications and authorizations, such as training or instruction, to operate and maintain devices or systems in accordance with safety engineering standards regarding electrical circuits, high pressures, aggressive media, and adequate safety systems, based on local and national safety standards, e.g., building codes, electrical codes, etc.



## WARNING

The instrument can be operated at high levels of pressure and with aggressive media. As a result, serious injury or significant property damage may occur if this device is operated incorrectly.

Depressurize the vessel before opening the connection to the instrument. Any process media released may cause severe injuries.

Provide adequate protection and training against all chemicals involved in the work environment.

# Electrical

Connection information in this guide must be observed; otherwise, the applicable protection type may be affected.



## WARNING

Connections may **only** be performed by authorized personnel in accordance with the provided electrical circuit diagrams.

In addition, involved personnel must observe the relevant safety regulations regarding the installation and operation of electrical systems, and the relevant standards, regulations and guidelines about explosion protection.

If required by the relevant national electrical code, a circuit breaker or switch in the building installation, marked as the disconnect switch, shall be in close proximity to the equipment and within easy reach of the operator.

**Do not** make electrical connections unless the electrical code designation stamped on the instrument data plate (refer to part no. 3KXL001072U0100) matches the classification of the area in which you want to install the instrument.

**When installing the instrument in hazardous areas**, only use non sparking tools. Use **only** tools compliant with national insulation standards, e.g., DIN EN 60900.



## ELECTROSTATIC DISCHARGES

Before performing any connection, operators shall make sure that they have discharged all static electricity from their body before touching electronic components.

- All connections must be established in a de-energized state.
- Before installing the instrument, make sure that the appropriate supply voltage is available.
- The power supply shall be equipped with short circuit protection and auto restart functions.
- For continuous installation protection, a double insulation power supply (5 kV or higher) shall be used for the current loop.
- In an industrial environment where EMIs (electromagnetic interferences) are extremely present (e.g., rock quarries, mines, large chemical plants, etc.), ABB recommends the use of noise filters on the DC power supply to the instrument and on signal isolators' 4–20 mA output.
- Instruments will not work if exposed to common mode voltages in excess of the maximum allowed supply voltage.

## Grounding

- Ground the instrument according to requirements (see “Grounding the instrument” on page 22).



### WARNING

Ensure that the equipment or any device or power cord connected to the instrument is properly grounded.

If an interruption of the protective earthing connection is suspected, make sure that the equipment is not used. All protective earthing connections (grounding) must be active at all times. The absence of grounding can lead to a potential shock hazard that could result in serious personal injury.

Use the instrument **only** if a properly grounded power source is available in accordance with the local electrical code.

- To avoid injury or property damage in external installations exposed to lightning, a transient voltage suppression module or galvanic isolator shall be installed, with proper grounding, before entering a building with a cable. Refer to local building and electrical codes for proper practices.



### NOTICE

The presence of noise on the instrument 4–20 mA output can be a sign of poor or intermittent grounding, insufficient cable shielding, or noisy power line in the vicinity.



## Environmental (WEEE)

The LWT series of instruments has required the extraction and use of natural resources for its production. Therefore, the instrument may contain hazardous substances that could impact health and environment. To avoid dissemination of these hazardous products into the environment, and also to reduce extraction, and protect our natural resources, ABB strongly recommends using the appropriate recycling systems to make sure that materials used to produce your equipment are reused or recycled in a sound way.

The crossed-out wheeled bin reproduced on the product label (and illustrated below) is a clear reminder that the product must not be disposed of with household waste.



For European countries, at the end of life of the instrument, refer to the LWT300 series recycling Instructions and environmental information (part no. AA019035-01) or contact your distributor before disposing of the instrument.

## Cybersecurity

This product is designed to be connected to, and communicate information and data via a digital communication network interface. It is the user's sole responsibility to provide and continuously ensure a secure connection between the product and the user's network or any other network (as the case may be).

Users shall establish and maintain any and all appropriate measures (such as, but not limited to, the installation of firewalls, the application of authentication measures, the encryption of data, the installation of anti-virus programs, etc.) to protect the product, the network, its system and the interface against any kind of security breaches, unauthorized accesses, interferences, intrusions, leakages and/or theft of data or information.

ABB and its affiliates are not liable for damages and/or losses related to such security breaches, any unauthorized access, interference, intrusion, leakage and/or theft of data or information.

ABB strives to maintain cybersecurity for its products and services. By visiting the web page indicated below, you will find notifications about newly found software vulnerabilities and options to download the latest software.

It is recommended that you visit this web page regularly:

<http://new.abb.com/about/technology/cyber-security>

## HART protocol disclaimer

The HART communication protocol used in the LWT series of instruments **is inherently insecure**. It can be successfully exploited by spoofing techniques that would allow access to instrument data and configurations. To prevent the use of such techniques, always ensure that physical access to the instrument and network is properly secured.

For cybersecurity reasons, ABB decided **not to password protect the HART communication protocol** in LWT series instruments. As such, before implementation, the intended application should be assessed to ensure that this communication protocol is suitable.

## General deployment guidelines

- Limit and control physical access to the device and the network on which it is connected.
- Limit and control access to all HART tools.
- Use role-based access according to needs.
- Change all default passwords and strictly control their dissemination.
- Lock and/or write-protect the instrument whenever possible and/or practical.
- Disable Service access (from the Advanced access level; see “Setting up role-based passwords” on page 41).

# Introduction

The LWT series of instruments are microprocessor-based level transmitters that use very low power microwave energy to determine the level of the product being measured. A rod or cable “probe” is hung into the vessel to act as a waveguide, i.e. microwave energy stays concentrated around the length of the probe instead of being dispersed, as it would be if there was no probe.

## About this guide

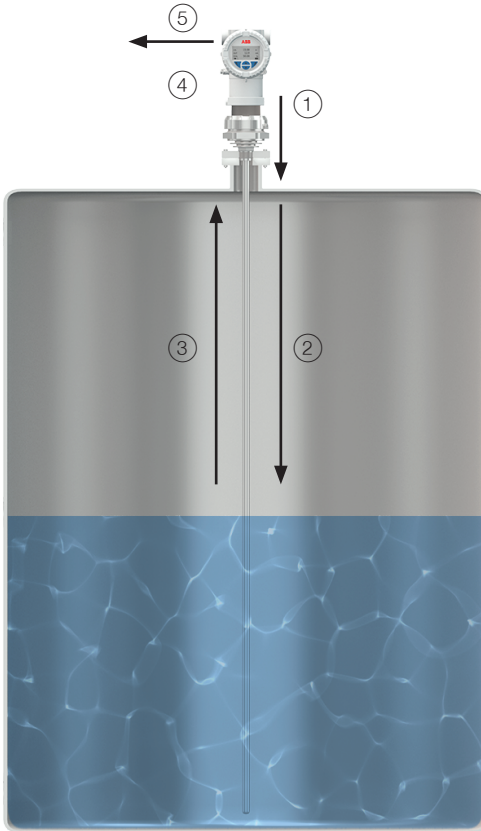
This user guide is intended for personnel using LWT series instruments for routine monitoring. It contains installation, usage, maintenance, and troubleshooting instructions.

Read this guide carefully before working with the instrument. For personnel and system safety, and for optimum performance, make sure that you thoroughly understand the contents of this document before installing, using or maintaining the instrument. This guide does not contain detailed information on all available models or every conceivable event that may occur during setup, operation, and maintenance work.

## Basics of LWT level measurement

The instrument electronics housing (a.k.a. “the head”) is fitted with a special adapter (the coupler) that serves as a connection between the head and the process in which measurements will be taken. A rod or cable (the probe) hangs from the coupler into the product being measured (see Figure 1 on page 8).

**Figure 1** The measurement cycle



The head sends a very short pulse of microwave energy through the coupler and down the probe ①. That pulse travels along the length of the probe ② and, when it encounters the product surface, some of the energy is reflected and travels back towards the coupler ③. When the reflected energy reaches the coupler, it is sensed by the electronics ④. By measuring the time elapsed between the initial pulse and the reflected one, the electronics can calculate the product level ⑤.

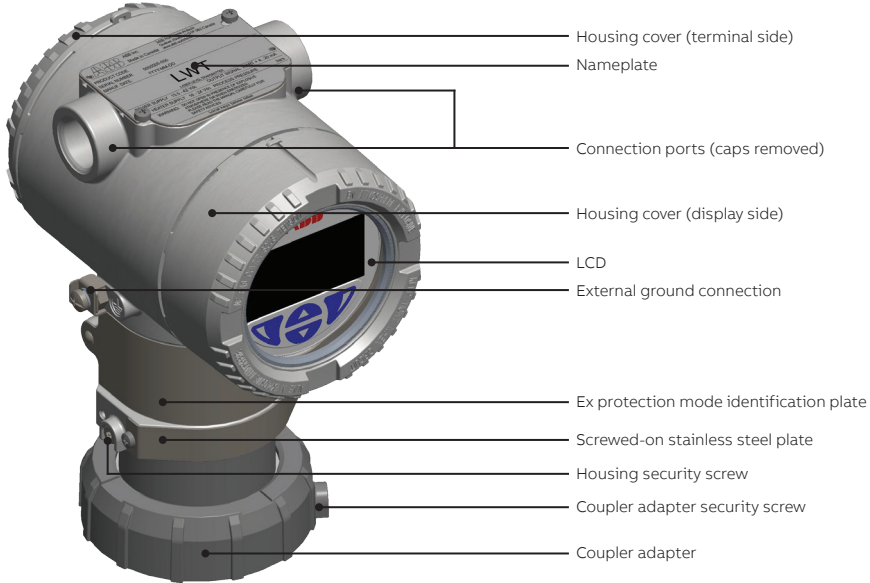
Since microwave energy travels at the speed of light, one complete measurement cycle is made up of several thousand pulses. The electronics use the time domain reflectometry (TDR) sampling technique to reconstruct, from these numerous pulses, a waveform that can be processed by the microprocessor (see “Diagnosing from a waveform” on page 71). Measurement cycles are made up to five times every second (depending on configuration and probe length) and results are processed before generating a current output proportional to the level of the product.

# First look

Below is a first look at the main components of the LWT series instruments:

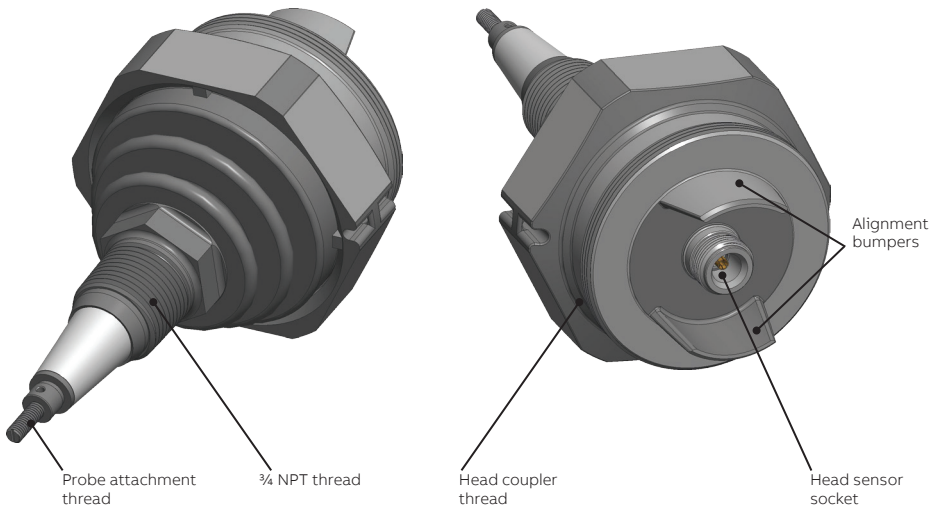
## The head

**Figure 2** LWT instrument head



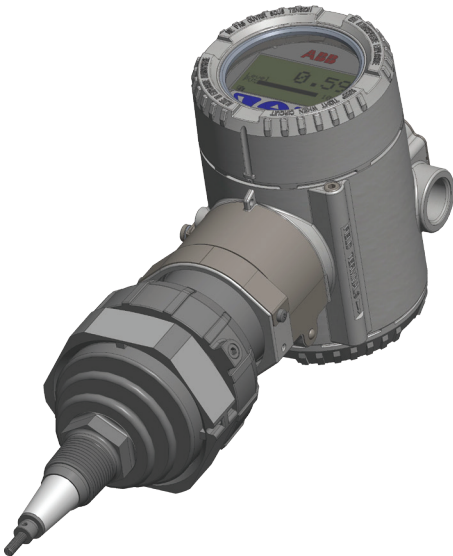
## The coupler

**Figure 3** Typical 3/4 NPT LWT300 instrument coupler



# As shipped

Figure 4 Head-coupler assembly



# Basic installation procedure

Here are the basic installation steps described in this guide. The following chapters provide more details.

- 1 Access and properly secure the installation site (vessel depressurization and cool down, mains power down, etc.) (see page 16).
- 2 Attach the probe to the head-coupler assembly (see page 17).
- 3 Slide the probe in the vessel and attach the assembled LWT system on the external flange (see page 19).
- 4 Ground the head unit and connect it to the mains (see page 23).
- 5 Power up (see page 26) and configure the instrument (see page 37).

## Disclaimers

ABB declares that the content of this guide is not part of any prior or existing agreements, commitments, or legal relationships, nor are they intended to amend these. ABB obligations arise from the conditions of the relevant sales agreement, which also contains the solely binding warranty regulations in full. These contractual warranty provisions are neither extended nor limited by the information provided in this guide.

## Improper use

It is prohibited to use the instrument for any of the following, including but not limited to:

- A climbing aid, e.g., for mounting purposes.
- A support for external loads, e.g., as a support for pipes.
- By adding material, e.g., by painting over the name plate, or welding/soldering on parts.
- By removing material, e.g., by drilling the housing.

Repairs, alterations, and enhancements, or the installation of replacement parts, are only permissible as far as these are described in this guide. Approval by ABB must be requested in writing for any activities beyond this scope. Repairs performed by ABB-authorized centers are excluded from this article.

## Technical limit values

The instrument is designed for use exclusively within the values stated on the name plates and within the technical limit values specified on the data sheets.

Technical limit values that must be observed at all time are:

- The maximum working pressure, ambient working temperature, and maximum process temperature may not be exceeded.
- The housing protection type must be observed.
- The electrical specifications must be observed.

## Operator liability

Prior to using measuring corrosive and abrasive materials, the operator must check the level of resistance of all instrument parts coming into contact with the materials to be measured.



### CAUTION

Prior to using the instrument, material safety data sheets (MSDS) of all products being monitored must be available at all times for users' security.

ABB will gladly support you in selecting the materials, but cannot accept any liability in doing so.

Operators must strictly observe the locally applicable national regulations with regard to installation, function tests, repairs, and maintenance of electrical devices.



# Installing the LWT

The following pages explain how to proceed with a typical physical installation of your LWT instrument. Keep in mind that there are numerous possible installation scenarios; this documentation cannot cover them all. However, all efforts have been made to properly indicate the main challenges associated with such an installation.

## Safety first!



### WARNING

For personnel and system safety, and to ensure optimum performance, make sure that you thoroughly understand the content of this guide, and especially the Safety chapter (see page 1), before installing, using and maintaining the instrument.

Carefully plan any installation, modification or repair before actually proceeding.

## Before you start

In preparation for the installation of your LWT instrument, and taking into account that you cannot always decide the location of this installation, you should try and follow the recommendations below:

- Install the LWT instrument as far as possible from the product fill stream.
- Install the assembled LWT system (probe/coupler/head assembly) (see page 19) as far as possible from the fill/drain stream.
- When inserting probes, avoid internal obstructions such as tubing, ladders, agitators, etc.
- To prevent excessive probe movement in an agitated process, or where installation close to the vessel wall is required, secure the bottom end of a probe to the vessel. Probes installed from the top of the vessel may require the use of a stilling well.
- Weighted cable probes should be allowed to hang inside the vessel under the tension of the weights.



### NOTICE

You may need to shorten the probe. Your instrument was delivered with a probe length set at the time of purchase. This probe length is programmed into the instrument. Should you have to shorten the probe, do not forget to change the probe length programmed in the instrument (see “Changing the probe length” on page 45).

- Threaded connections should be installed with thread sealant approved for use by the customer.
- Flanged connections should be made using materials (bolts, studs, nuts and gaskets) and procedures (torque specifications) approved for use by the customer.

## Environmental considerations

The LWT should be installed in an area that is within its specified temperature range (see “Specifications” on page A77), taking into consideration the enclosure ratings and the construction materials.



### NOTICE

If the site where the LWT will be installed is subject to severe vibration conditions, harsh environment errors might be flagged. Contact ABB for information on using a remote coaxial probe installed on a bracket to dampen oscillations.

### Hazardous area considerations

- LWT housings are certified as conforming to protection type IP68 (according to IEC 60529) or Type 6P (according to NEMA).
- The external housing is not made to resist high pressures. Only the probe and coupler can come in contact with the process.
- LWT instruments must only be installed in hazardous areas for which they are properly certified. The certification plate is permanently fixed on the neck of the instrument head.

### Power-specific considerations

- For maximum power supply voltage, refer to the instrument identification plate or see “Specifications” on page A77.
- For signal and power loop connections up to 1500 meters (4900 feet) in length, use  $\varnothing$  0.8 to 0.35 mm<sup>2</sup> (18 to 22 AWG) twisted, stranded pair wiring. Longer loops will require larger wires.
- The 4–20 mA DC output signal and the DC power supply to the LWT instrument are carried by the same pair of wires.
- Supply voltage at the instrument terminals must be between 15.5 and 42 V DC. If using a 250  $\Omega$  resistor for the HART connection, limits are between 21 and 42 V DC if there is no other load on the line.

### Cable- and cable gland-specific considerations



### WARNING

Cables, cable glands and unused port plugs must comply with the intended type of protection (e.g., dust proof, flameproof, etc.) and degree of protection (e.g., IP68 or Type 6P).

It is the costumers' responsibility to use appropriate cable glands, screw plugs, lubes and/or sealants for the cable entry ports. ABB does not assume any responsibility for non ATEX- or CE-certified cable glands or adapters that do not meet the above requirements.

The installer assumes responsibility for any other type of sealing medium used.

In the particular case of explosion proof installations, remove the temporary plastic caps and close the unused opening with a plug certified for explosion containment with appropriate rating.

Wires and cable glands shall be rated to at least 90 °C.

- Avoid routing cables with other electrical cables (with inductive load, motors, etc.) or near large electrical equipment.
- You must use ½-inch NPT/M20 cable glands certified to either Ex db or Ex tb (depending on the installation), and rated to at least IP68/NEMA Type 6P. Cable glands supplied by ABB are ATEX- and CE-certified, and meet the above requirements.
- These cable glands can only be used with braided shield cables. When installing them, make sure to fold the cable shield over the O-ring which presses the braiding against the inside wall of the body, thus ensuring good contact.



#### NOTICE

If you plan on using cable glands that are not supplied by ABB, refer to your supplier's data sheet for proper installation.

## Nozzle-specific considerations

- Nozzle length is configured for system operation and not for calibration purposes. It is automatically taken into account (subtracted) when measurements are made.
- Probes installed in side-vessel connections require additional probe support within the nozzle connection.
- Probes installed in very agitated processes need a spacer at the top connection to prevent the probe from touching any part of the nozzle.

## Vessel-specific considerations

### Plastic and fiberglass tanks, and open air installations

LWT instruments installed in a non-metallic vessel or in open air environments will be subject to interference from other electromagnetic devices, e.g., radios. You may need to use stilling wells to eliminate such interferences.

### Concrete tanks

Concrete tanks require mounting the probe:

- 30 cm (1 ft) from the wall (for measuring lengths up to 6.1 m [20 ft]);
- 61 cm (2 ft) from the wall (for measuring lengths over 6.1 m [20 ft]).

The face of the LWT mounting/launch plate should be even with the inner surface of the concrete roof.

## Gathering the necessary tools

To proceed with the installation of a LWT instrument, you need some basic tools such as:

- 3 mm hexagonal key
- ¼", ⅝", ⅜" and 7/16" wrenches, or adjustable wrench
- Flat head screwdriver (¼")
- Safety footwear and goggles
- Protective gloves
- ESD protection equipment

## Accessing the location



### DANGER

The installation area must be secured. If necessary, tape off all limits of approach to the installation area and ensure that all personnel understands the risks associated with the installation procedure.



### WARNING

**Only** qualified and authorized personnel should be put in charge of the installation, electrical connection, commissioning, operation, and maintenance of the instrument.

This personnel must hold the necessary qualifications and authorizations, such as training or instruction, to operate and maintain devices or systems in accordance with safety engineering standards regarding electrical circuits, high pressures, aggressive media, and adequate safety systems, based on local and national safety standards, i.e., building codes, electrical codes, etc.

**When installing the instrument in hazardous areas**, only use non-sparking tools.



### WARNING

The instrument can be operated at high levels of pressure and with aggressive media. As a result, serious injury or significant property damage may occur if this device is operated incorrectly.

Depressurize the vessel before opening the connection to the instrument. Any process media released may cause severe injuries.

Provide adequate protection and training against all chemicals involved in the work environment.



### CAUTION

Prior to using the instrument, material safety data sheets (MSDS) of all products being monitored must be available at all times for users' security.

# Attaching a probe to the coupler/head assembly

Depending on your specific application, you might have to install a flexible or rigid probe.



## NOTICE

LWT instruments come in a wide variety of configurations. They can come with probes already attached and/or external flanges already soldered or neither. The following pages explain the procedures to perform although those procedures might have already been performed at the factory.



## ELECTROSTATIC DISCHARGES

Electronic components are sensitive to electrostatic discharges.

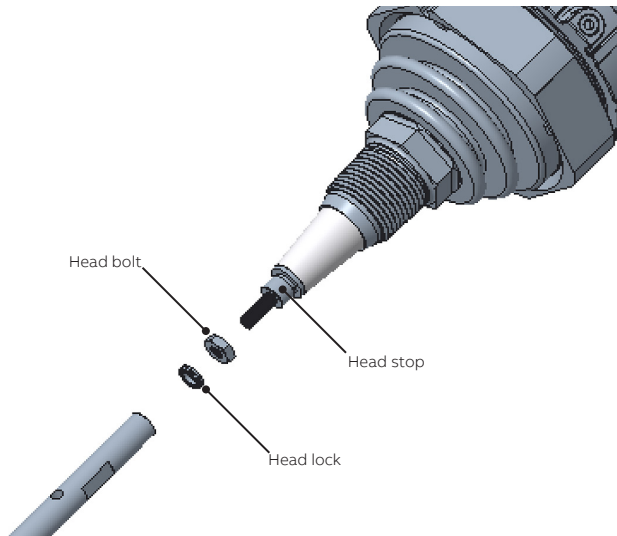
Before performing any connection, operators shall make sure that they have discharged all static electricity from their body before touching electronic components.

## Attaching a probe (cable/rigid) on a standard coupler

To attach a standard probe:

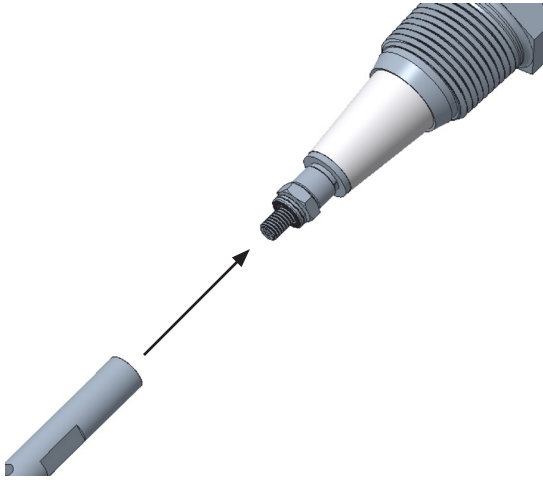
- 1 Screw the provided head bolt on the screw-in end and tighten by hand until it reaches the head stop.
- 2 Insert the lock behind the provided bolt.

**Figure 5** Installing the probe



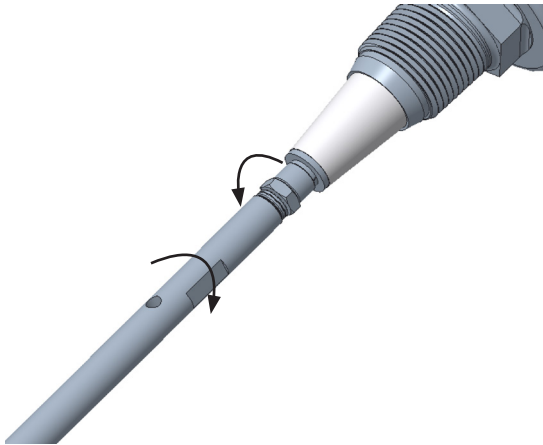
- 3 Screw in the probe end and tighten by hand.

**Figure 6** Screwing in the probe



- 4 Once all the parts are in place, use two wrenches (one holding the head bolt and the other, the probe slot) to apply the recommended torque (see below) in both directions at the same time.

**Figure 7** Tightening the probe



**NOTICE**

There are two sizes of head locks: 8.9 mm (0.35 in) and 13.5 mm (0.53 in). The recommended torque, **as specified by the manufacturer** is as follows:

- 2.8 N·m (2.1 lbf.ft) for the 8.9 mm lock.
- 13.5 N·m (10.0 lbf.ft) for the 13.5 mm lock.

For more information on the reference parameters used to determine the specified torque, refer to the manufacturer's (Nord-Lock) website.

# Installing the LWT system



## NOTICE

Installing the LWT system directly on the top of the vessel **provides the best return signal.**

Once the probe and coupler/head assembly have been attached, you need to:

- 1 Insert the probe end into the flange, down the nozzle and to the bottom of the vessel.
- 2 Secure the coupler as necessary:
  - If you have an NPT-style coupler, apply the proper sealant (or PTFE tape<sup>1</sup>) on the NPT threads and screw the coupler in the NPT flange.
  - If your coupler came in a flanged configuration, make sure that the appropriate gasket is installed between the process and coupler flanges, and fix the flange with the appropriate nuts and bolts to the torque required by the flange class.

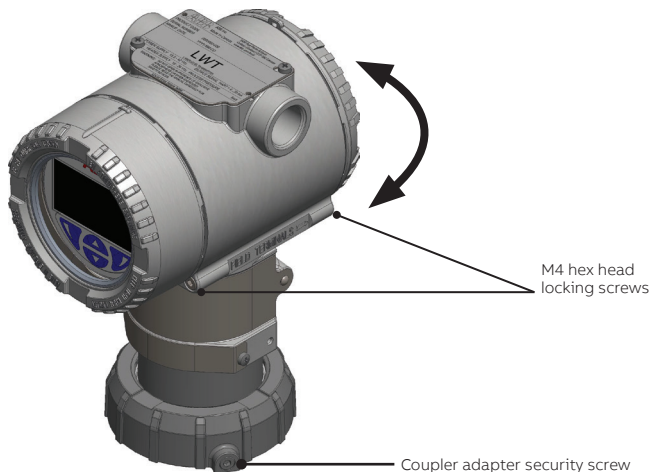
## Rotating the housing

To improve HMI visibility or field access to the wiring, you may rotate the LWT housing 360° from its initial position, and fix it in any of these positions.

To rotate the housing:

- 1 With an hexagonal key, unscrew the coupler adapter security screw (see Figure 8) by no more than one turn (**do not pull out the screw**). This should allow the housing to rotate freely.

**Figure 8** Rotating the housing



- 2 Loosen the coupler adapter by a quarter turn.
- 3 Position the housing in a way that is optimal to your location.
- 4 Once the housing is in the proper position, re-tighten the coupler adapter.
- 5 Re-tighten the coupler adapter security screw to secure the coupler adapter.

1 PTFE tape needs to be applied very carefully to ensure good electrical contact between the coupler, the flange and (if conductive) the tank.

## Rotating the LCD



### ELECTROSTATIC DISCHARGES

Electronic components are sensitive to electrostatic discharges.

Before performing any connection, operators shall make sure that they have discharged all static electricity from their body before touching electronic components.

When the head unit is installed, it is possible to rotate its LCD in one of four different positions at 90° intervals.

To rotate the LCD:

- 1 Make sure that the instrument is powered off and that the M4 hex head locking screws are screwed in (see Figure 8).
- 2 Unscrew the housing cover on the display side (hazardous area warnings must be heeded; see “Safety” on page 1).

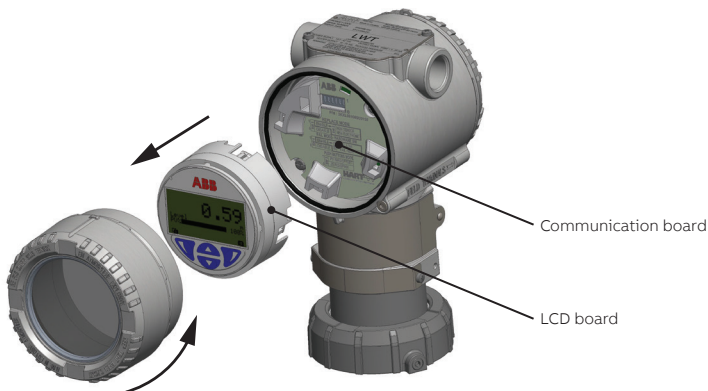


### CAUTION

Do not grab the instrument by its threaded interface. Thread edges are sharp and constitute a risk of personal injury (see Figure 14 on page 24).

- 3 Pull the display away from the communication board.

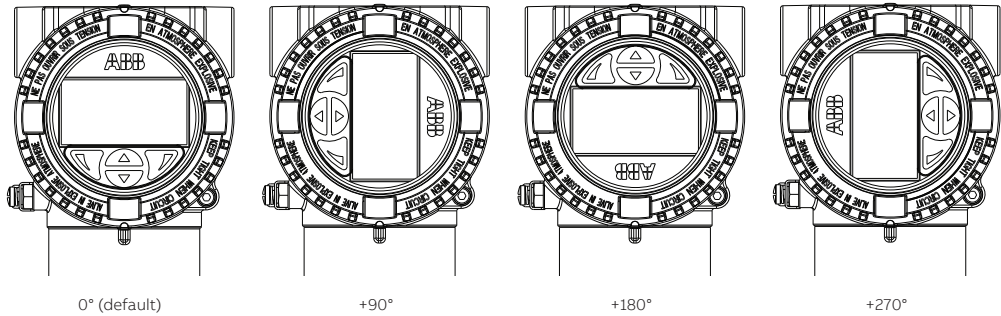
**Figure 9** Pulling out the LCD



- 4 Turn the LCD according to the new desired position.



Figure 10 Four positions for the instrument LCD



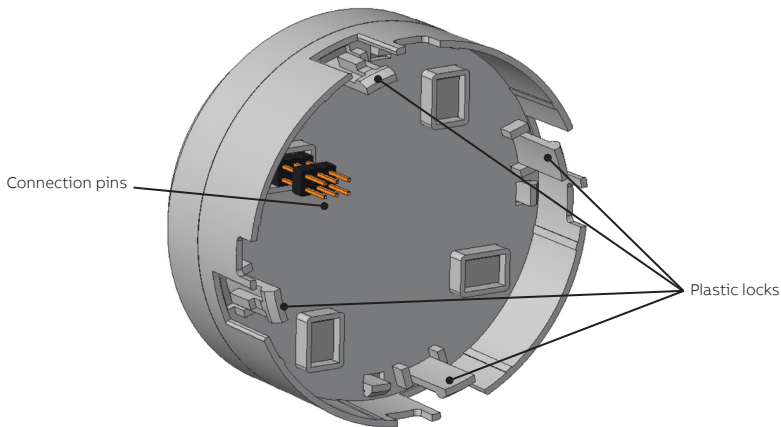
- 5 Push back the display module on the communication board, making sure that the four plastic locks are properly fixed.



**NOTICE**

Be careful not to bend the connection pins (see Figure 11) when pushing the display back in.

Figure 11 Connection pins on back of LCD board



- 6 Hand tighten the housing cover back in place.



**NOTICE**

For Ex d and/or flameproof installations, see note "Securing housing cover in flameproof/explosion proof areas" on page 25.

# Grounding the instrument



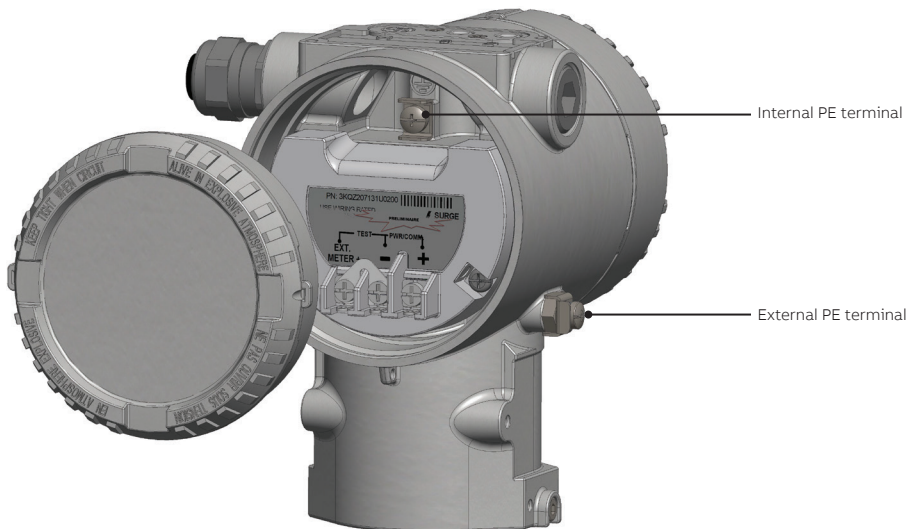
## NOTICE

Star or daisy chain configurations are not allowed under any circumstances.

The LWT must be grounded in accordance with national electrical codes, using a protective earth (PE) terminal by means of a short connection to an equipotential bonding. The equipotential bonding conductor must have a maximum cross-section of 4 mm<sup>2</sup> (12 AWG).

PE terminals are available inside and outside the instrument housing (see Figure 12). Both terminals are electrically interconnected.

**Figure 12** Position of the two PE terminals



**If using the external PE terminal, you must** connect the grounding wire to the monitored vessel.

When grounding the LWT with a shielded wire, connect the wire to the PE terminal located inside the housing. **That shielded wire should only be grounded at one end, not both.**



## NOTICE

The LWT instrument has a ½-inch NPT/M20 cable gland entry.

The most effective way to ground the LWT housing is a direct connection to a ground with a maximum impedance of 5 mΩ.

Outside installations or installations exposed directly or indirectly to lightning discharges shall have a secondary lightning protection module. Use of a protected terminal block in combination with a lightning arrester module is mandatory for the continuous protection of users and installations.



### WARNING

The terminal block needs to be replaced if the installation shows any sign of damage resulting from direct or indirect lightning discharges. Call ABB in such situations.

## Bringing power to the instrument

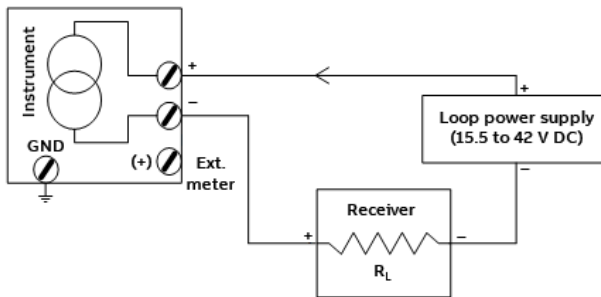


### ELECTROSTATIC DISCHARGES

Electronic components are sensitive to electrostatic discharges.

Before performing any connection, operators shall make sure that they have discharged all static electricity from their body before touching electronic components.

Figure 13 Typical LWT connection



### WARNING

All connections must be established in a de-energized state. Before working on the circuit, secure the breaker to prevent any accidental power-up.

**In an explosion proof/flameproof installation,** do not remove the covers while the instrument is energized.

To bring power to the LWT instrument:

- 1 Remove the temporary plastic cap from the most convenient of the two electrical connection ports (see Figure 14 on page 24).



### WARNING

In the particular case of explosion proof installations, remove the temporary plastic caps and close the unused opening with a cap certified and appropriately rated for explosion containment.

- 2 Make sure that the M4 hex head locking screws are screwed in (see Figure 8).
- 3 Remove the housing cover on the “terminals” side (see Figure 14 on page 24).



## WARNING

Do not handle the instrument by the threaded interface. Threaded edges are sharp and could cause personal injuries.

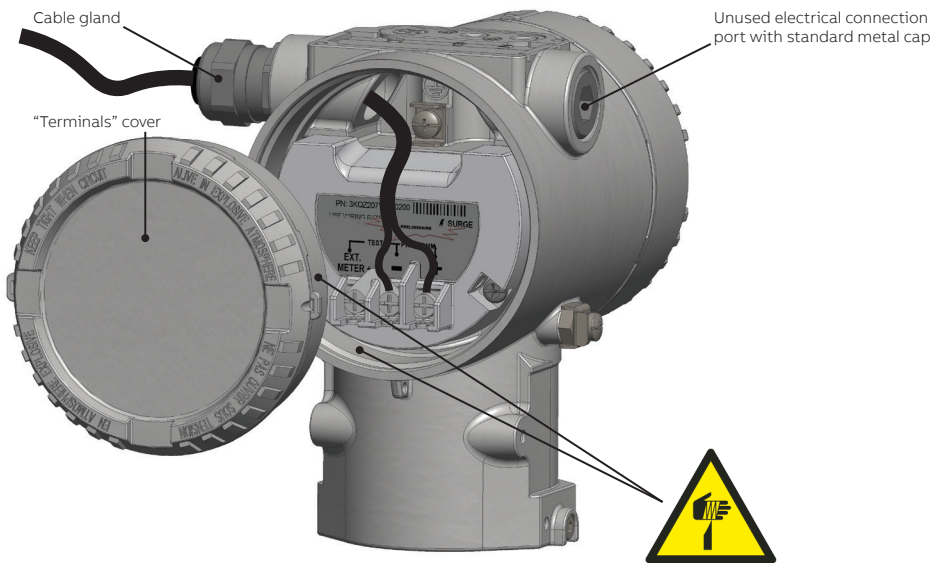


## NOTICE

After an interval of several weeks, increased force will be required to remove the housing cover. This situation is normal; it is caused by the type of gasket used.

- 4 Route the power cable through the cable gland and the open electrical connection port.
- 5 Connect the positive lead to the + terminal, and the negative lead to the – terminal.

**Figure 14** Accessing the terminals inside the LWT



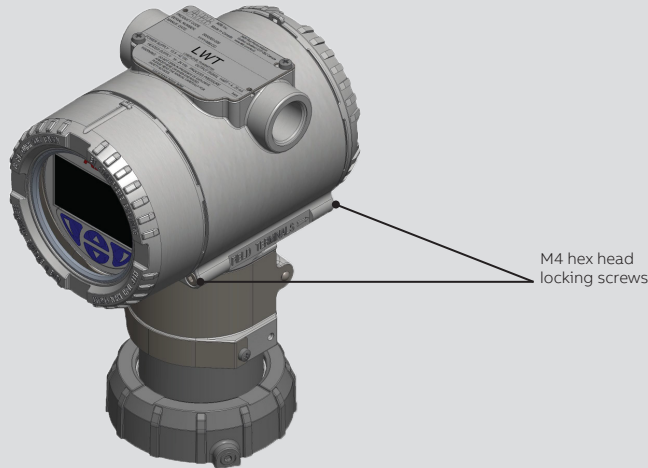
- 6 Plug and seal the electrical connection ports.
- 7 Put back the housing cover. Turn it so as to seat the O-ring into the housing, then continue tightening by hand until the cover contacts the housing metal-to-metal.



## WARNING

### Securing housing cover in flameproof/explosion proof areas

Both sides of the electronics housing feature a M4 hex head locking screw on the bottom side.



To secure a housing installed in a hazardous location:

- 1 Tighten the housing covers by hand.
- 2 Turn both locking screws counterclockwise until their head stops at the housing cover.

- 3 Once installation is complete, make sure that electrical ports are properly sealed against all types of fluid ingress (rain and/or corrosive vapors or gases) and verify the following:
  - Cover installations;
  - Locking screw tightness;
  - Process connection;
  - Electrical connection.
- 4 Power up the instrument by switching on the circuit breaker.

At power-on, the through-the-glass (TTG) touch interface goes through a calibration process. For the TTG to work properly, it is mandatory that the housing cover be correctly tightened before power-on.



## NOTICE

After power-on, wait for the LCD calibration process to complete ( $\pm 30$  seconds) before operating the TTG display.

# Establishing communication with the instrument

Communication with your instrument is achieved using the HART communication protocol over the instrument's 4–20 mA current loop.

The HART (Highway Addressable Remote Transducer) communication protocol is a hybrid analog and digital industrial automation protocol. It allows remote configuration of LWT instruments over legacy 4–20 mA analog device current loops, sharing the pair of wires used by analog-only host systems.

ABB provides a HART communication package. Once installed in your preferred HART application, it will allow communication with your LWT instruments.



## NOTICE

### Cybersecurity disclaimer

The HART communication protocol used in the LWT series of instruments **is inherently insecure**. It can be successfully exploited by spoofing techniques that would allow access to instrument data and configurations. To prevent the use of such techniques, always ensure that physical access to the instrument and network is properly secured.

For cybersecurity reasons, ABB decided **not to password protect the HART communication protocol** in LWT series instruments. As such, before implementation, the intended application should be assessed to ensure that this communication protocol is suitable.



## NOTICE

The communication board for HART (located behind the interface board) cannot be replaced in the field, and cannot be moved between LWT instruments. In case of failure, the instrument must be sent back to ABB for calibration and repair.

# Upon startup

Upon startup, the LCD turns on, the instrument establishes connection and the display starts showing values on Operator page 1 based on the factory-set configuration.



## NOTICE

After power-on, wait for the LCD calibration process to complete ( $\pm 30$  seconds) before operating the TTG display.

Figure 15 Instrument LCD on power-up

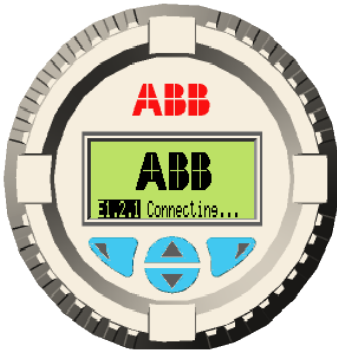
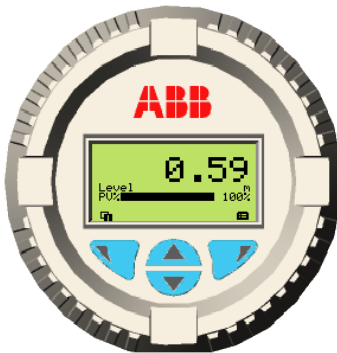


Figure 16 Initial Operator page with values based on default configuration



## NOTICE

During the boot process, no level information is displayed.

For more information on Operator pages, see “Configuring Operator pages” on page 39.

The next chapter introduces the standard instrument user interface: the liquid-crystal display (LCD).

**Page intentionally left blank**



# Introducing the user interface

Chapter 5 and Chapter 6 discuss various configuration options, but first you need a basic understanding of the various ways to interact with the instrument.

## Introducing LWT user interfaces

To configure your LWT instrument, you need to understand the access methods to the parameters that you need to change and what to expect when you reach these parameters.

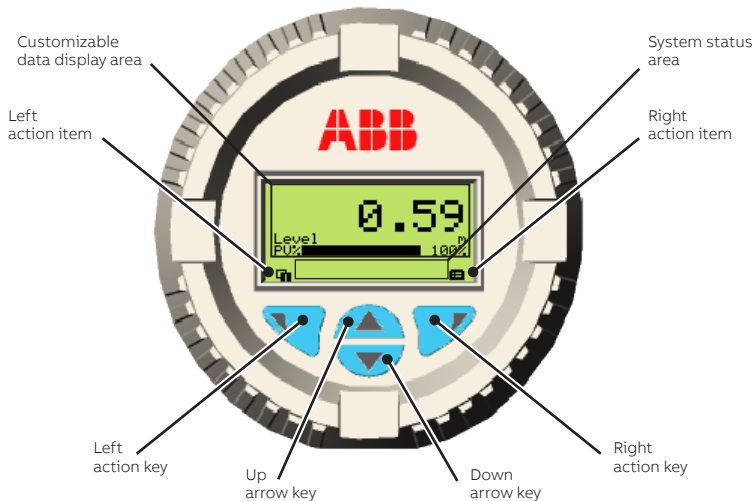
There are a few methods to access the parameters, but only two are discussed in the user guide:

- The instrument liquid crystal display (LCD)
- A handheld HART terminal (with HART modem)



For all intents and purposes, a handheld HART terminal is considered as providing an interface similar to the instrument LCD; thus, interface elements and menu navigation are considered as similar in the following pages.

Once the LWT instrument is powered up, its display looks like this:


**Figure 17** Typical Operator screen



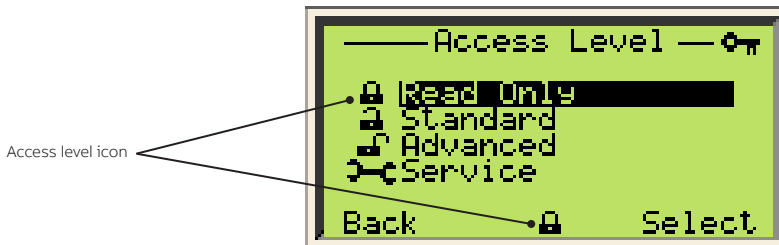
**Table 1** Action items and explanation

Action item	Title	Action
Left		Gives access to the Diagnostics page (see “Diagnosing problems” on page 67), the four Operator pages (see “Configuring Operator pages” on page 39) and the <b>Signals View</b> page.
	<b>Exit</b>	Exits the current menu
	<b>Back</b>	Returns to the previous sub-menu
	<b>Cancel</b>	Exits without saving the current parameter value
	<b>Next</b>	Selects the next position when entering alphanumerical values
Right		Gives access to the Configuration menus (see “Configuring the instrument” on page 37).
	<b>Select</b>	Selects the highlighted sub-menu or parameter
	<b>Edit</b>	Allows editing of the current parameter
	<b>OK</b>	Saves the current parameter value or displays the stored parameter value

## Accessing menus

Upon selecting the configuration menu icon () on the main screen, the interface displays a selection of four access levels: **Read Only**, **Standard**, **Advanced**, and **Service**.

**Figure 18** Access Level menu



All but the **Read Only** access level require a password (if defined). When selecting an access level, you will be asked for your password. By entering the proper password, you will gain access to features and functions associated with this access level.

The **Service** menu can only be accessed by or under the supervision of, ABB service personnel.

The icon adjacent to the provided access level is displayed in the system status area.

For more information on setting passwords, see “Protecting access to instrument data” on page 40.

## Navigating the instrument display

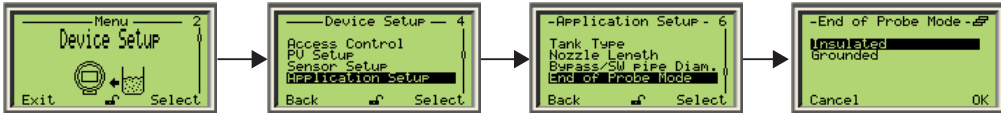
There are two operations that you can do when navigating the user interface. You can select an existing option, or edit a value.

### Selecting an option

Options can be selected but not modified. This is the easiest operation to perform:

- 1 Using the arrow and action keys, move up, down, left or right within a menu.
- 2 Once you find the option that you want to set, highlight it by using the arrow keys.
- 3 Press the right action key (**OK**). The highlighted option is selected and effective immediately.
- 4 Press the left action key (**Back**) repeatedly to exit the menu.

Figure 19 Selecting an existing option



### Setting a value

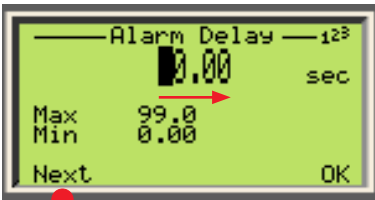
Contrary to options, you can modify values.

- 1 Using the arrow and action keys, move up, down, left or right within a menu.
- 2 Once you find the option that you want to set, highlight it by using the arrow keys.
- 3 Press the right action key (**Edit**) (see Figure 20 on page 31).
- 4 In the Edit screen, use the left action key (**Next**) to move from left to right over the editable values (see Figure 21 on page 31).
- 5 Once you are on the value that you want to modify, press the Up or Down arrow key to increase or decrease the highlighted value. Modify all necessary values as such.
- 6 Once you are done modifying values, press the right action key (**OK**). The modified value becomes effective immediately.
- 7 Press **Back** repeatedly to exit the menu.

Figure 20 Selecting a value to edit



Figure 21 Setting a value



The menus accessible at the first level (once the instrument is powered up and functional) are listed “First-level menu” on page B79.

**Page intentionally left blank**

# Configuring the instrument at startup

Once the LWT instrument is physically installed and properly powered, you might need to configure the various parameters to better suit your needs if they go beyond the default configuration. The following pages explain the first-time **Easy Setup** configuration (in more details than the Quick Start guide).

Your LWT instrument comes configured with certain default parameters, but you still need to select certain options and set specific values for your instrument to work as you expect. This configuration is performed via the **Easy Setup** menu. This menu makes you go through all the basic configuration items in succession until basic configuration is complete. This menu was designed to cover most typical uses.

**Figure 22** The Easy Setup menu



To quickly configure your instrument, you need to know the following:

- The language needed on the display
- What you want to measure (level, ullage, etc.)
- The unit in which these measurements must be made
- The lowest and highest levels that you expect to measure in your vessel
- The dielectric constant of the vessel content
- The speed at which the vessel normally fills up or is drained (a.k.a. maximum level rate)
- The measurement that you want displayed on the first line of Operator page 1 (which appears upon powering on the instrument).

To configure with the **Easy Setup** menu:

- 1 Press **Select**. The **Language** menu appears immediately.
  - a Press **Edit**. The list of available languages appears (default value: **English**).
  - b Scroll up or down the list and highlight the desired language.
  - c Press **OK**. The interface changes to the selected language immediately.

For more information, see “Language” on page 37.

- 2 Press **Next**. The **Set PV (4-20mA)** screen appears. This sets the type of measurement that you want to make.
  - a Press **Edit**. The list of available measurements appears (default value: **Level**).
  - b Scroll up or down the list and highlight the required measurement.
  - c Press **OK**. The measurement is selected.

For more information, see “Setting up the primary value (PV)” on page 43.

- 3 Press **Next**. The **PV Unit** screen appears. This sets the measurement unit for the measurement type that you just previously selected.
  - a Press **Edit**. The list of available measurement units appears (default value: **cm**).
  - b Scroll up or down the list and highlight the required measurement unit.
  - c Press **OK**. The measurement unit is selected.

For more information, see “Selecting the primary value unit” on page 43).

- 4 Press **Next**. The **Empty/Zero** screen appears. This sets the lowest level that you expect to measure in the vessel.
  - a Press **Edit**.
  - b Set the required value (see “Setting a value” on page 31).
  - c Press **OK**. The value is set.

For more information, see “Changing the empty/zero value” on page 59.

- 5 Press **Next**. The **Full/Span** screen appears. This sets the highest level that you expect to measure in the vessel.
  - a Press **Edit**.
  - b Set the required value (see “Setting a value” on page 31).
  - c Press **OK**. The value is set.

For more information, see “Changing the full/span value” on page 60.

- 6 Press **Next**. The **Application Category** screen appears. This sets the process in which level measurements will be made, based on the dielectric constant (DC) of the vessel content.
  - a Press **Edit**. The list of available values appears (default value: **Water-based (DC>10)**).
  - b Scroll up or down the list and highlight the required value.
  - c Press **OK**. The value is applied.

For more information, see “Selecting the application category” on page 44.

- 7** Press **Next**. The **Max Level Rate** screen appears. This sets the expected rate at which the vessel fills up or is drained.
  - a** Press **Edit**. The list of available values appears (default value: **No Filter**)
  - b** Scroll up or down the list and highlight the required value.
  - c** Press **OK**. The value is applied.

For more information, see “Selecting a maximum level rate” on page 47.

- 8** Press **Next**. The **Display Line1 View1** screen appears (this sets the measurement displayed on the first line of text, as illustrated in Figure 24 on page 39).
  - a** Press **Edit**. The list of available values appears (default value: **Level**)
  - b** Scroll up or down the list and highlight the required value.
  - c** Press **Next**. The value is applied and you return to the beginning of the **Easy Setup** menu.

For more information, see “Configuring the display” on page 37.

**Page intentionally left blank**



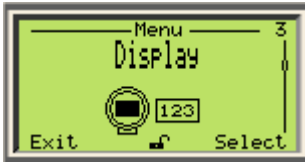
# Configuring the instrument

Once the LWT instrument is physically installed and properly powered, you might need to configure the various parameters to better suit your needs if they go beyond the default configuration. The following pages explain how to configure these various parameters.

## Configuring the display

You set all LCD-specific parameters from the **Display** configuration menu.

Figure 23 Display menu



## Language

To set language in which the interface is displayed:

- 1 Select **Display > Language**.
- 2 From the **Language** menu, highlight the language in which you want to display the interface.  
**English** is selected by default, but you can also select German (**Deutsch**), French (**Français**) or simplified Chinese (中文).
- 3 Press **OK**.

## Contrast

To set the display contrast:

- 1 Select **Display > Contrast**.
- 2 Press the Up or Down arrow key to increase or decrease the contrast percentage.  
By default, the contrast is set to 50%.
- 3 Press **OK**.

## Number of decimals

The LWT allows you to set the number of decimals to display on screen for length, flow and volume units.

To set the number of decimals to display for these units throughout the interface:

- 1 Select **Display > Length Format, Flow Format or Volume Format**.
- 2 Press **Edit**.
- 3 From the list that appears, highlight the number of decimals to display (**X, X.X, X.XX, X.XXX**) and press **OK**.

Volume and flow data can have their own decimals settings (for more information on volume and flow measurements, see also “Setting up linearization” on page 52).

## Date format

To determine how dates are displayed, you need to select a date format:

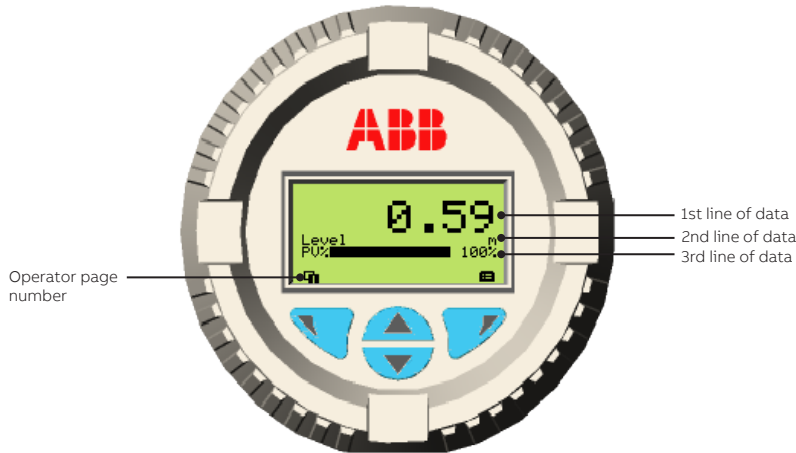
- 1 Select **Display > Date/Time Format**.
- 2 Press **Edit**.
- 3 From the list that appears, highlight the date format that you want to use (**DD-MM-YYYY, MM-DD-YYYY, YYYY-MM-DD**) and press **OK**.

# Configuring Operator pages

Operator pages display relevant information about ongoing process measurements. The LWT allows you to configure and display up to four different Operator pages. Each Operator page can display bargraphs and/or up to three lines of data. You can scroll automatically between the four Operator pages with the autoscroll feature (see “Enabling Operator page autoscroll” on page 40).

Operator page 1 appears by default once the LWT is powered on.

**Figure 24** The default Operator page 1



To configure an operator page:

- 1 Select **Display > Operator Pages > Operator Page n** (*n* being the number of the operator page that you want to configure).
- 2 From the **Operator Page n** screen, select **Display Mode**.
- 3 Press **Edit**.
- 4 Highlight the display mode that you want and press **OK**.  
There are eight modes available.
- 5 Once the display mode is selected, press **Back** once to go back one screen to where you can select the value displayed on each line/graph of the current Operator page.  
The values available for display depend on the display mode. For example, if you select the **2Row 9Char** display mode, the 3rd line will not be available for configuration.
- 6 Select the **Line** or **Bargraph**.
- 7 Press **Edit**.
- 8 Highlight the value that you want to display and press **OK**.
- 9 (if necessary) Repeat steps 6 through 8 to configure all remaining values.

## Enabling Operator page autoscroll

The autoscroll feature allows you to move automatically between Operator pages at a set time interval. This is useful when you simply want to record specific values manually without touching the instrument. This feature is disabled by default.

To enable autoscroll:

- 1 Select **Display > Autoscroll**.
- 2 Press **Edit**.
- 3 Select one of the time intervals (**3, 5, 7, 10 Seconds**) that you want to set as a time delay after which Operator pages scroll automatically.
- 4 Press **OK**.

When the autoscroll feature is enabled, a spinning icon appears next to the Operator page number.

**Figure 25** Autoscroll icon next to the Operator page number (4)



Autoscroll icon



### NOTICE

If the feature is activated and you want to deactivate it, highlight **Off** instead of the already selected time interval.

## Protecting access to instrument data

LWT instruments offer a few methods of protecting access to their data. You can set role-based passwords (standard and advanced users) and enable instrument write-protection (software and hardware) from the **Access Control** menu under the **Device Setup** menu.

**Figure 26** The Device Setup menu



For more information on securing your instrument from unwanted access, see “Cybersecurity” on page 5.

## Setting up role-based passwords

In LWT instruments, these passwords, comprised of six alphanumerical characters, give access to instrument functions and features based on the password entered.

To define passwords:

- 1 Select **Device Setup > Access Control > Standard Password** or **Advanced Password**.
- 2 Press **Edit**.
- 3 In the edit window, press the Up and Down arrow keys to move right or left on the alphanumerical ribbon and highlight the alphanumerical characters that you need to create the password.
- 4 Press **Next** to select the highlighted character and move on to the next character to highlight.
- 5 Repeat steps 3 and 4 until your password is complete.
- 6 Press **Next** one last time, then **OK** to save your password or **Cancel** to cancel the password that you just created.

## Resetting passwords

To reset all passwords:

- 1 Select **Device Setup > Access Control > Reset Password**.
- 2 Press **OK**.

If no passwords have been set, **OK** is not displayed; you can only select **Back**.

All passwords are reset.

## Preventing unwanted deletion of data

To prevent inadvertent or malicious overwriting of an instrument's settings and data, you can enable software and/or hardware write protection; both are disabled by default.

### Software write-protection

To enable software write-protection:

- 1 Select **Device Setup > Access Control > Write Protect > Software WP**.
- 2 Press **Edit**
- 3 Highlight **On** and press **OK**.

Data is now protected against erasing operations.

### Hardware write-protection



#### NOTICE

Activating hardware write-protection prevents all forms of external access to the instrument (HART, DTM, service access, etc.)

To enable hardware write-protection:

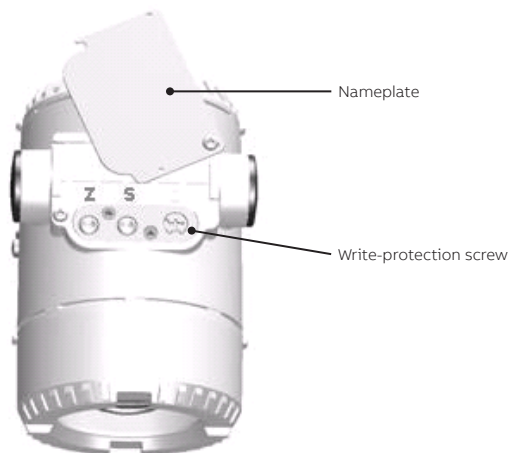
- 1 On the instrument head, unscrew and remove the nameplate. This exposes two buttons and the write-protection screw.



## NOTICE

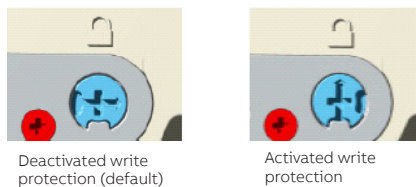
**DO NOT** use a magnetic screwdriver.

**Figure 27** Accessing the write-protection screw



- Using a suitable screwdriver, fully press down on the write-protection screw and turn 90° clockwise to activate hardware write protection or, if already activated, 90° counterclockwise to deactivate it.

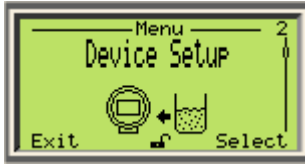
**Figure 28** Activating hardware write protection



# Setting up the primary value (PV)

The primary value is the value that you want to measure with your LWT instrument. It is configured from the **PV Setup** menu under the **Device Setup** menu.

Figure 29 The Device Setup menu



## Selecting the value

The primary value is the only value directly linked to the 4–20 mA current loop. It impacts other parameters used by the instrument. The default primary value is **Level**.

To select the primary value:

- 1 Select **Device Setup** > **PV Setup** > **Set PV (4-20mA)**.
- 2 Press **Edit**.
- 3 Highlight the primary value that you want to measure and press **OK**.

## Selecting the primary value unit

Once you have selected the primary value, you need to select the unit in which this value will be measured. The default primary value unit is **m** (meters).

To set the primary value unit:

- 1 Select **Device Setup** > **PV Setup** > **PV Unit**.
- 2 Press **Edit**.
- 3 Highlight the primary value unit that you want to use and press **OK**.

## Unlinking the primary value from the empty/full values

By definition, the 4 mA value is assigned to the empty level and the 20 mA value is assigned to the full level (as set first in the **Easy Setup** menu). Once you have set the primary values and their associated unit, you can choose to unlink the primary values from the empty/zero (4 mA) and full/span (20 mA) values. The default value is **Linked**.

To unlink the primary value from the 4–20 mA values:

- 1 Select **Device Setup** > **PV Setup** > **Link 4-20mA to Z/S**.
- 2 Press **Edit**.
- 3 Highlight **Unlinked** and press **OK**.



## NOTICE

Unlinking the primary value from the 4–20 mA values requires that you manually set 4 mA and 20 mA values afterwards. Menu items for these two values appears in the **PV Setup** menu to do just that.

Values are automatically relinked if either the 4 mA or 20 mA value is modified at a later time.

### Setting unlinked 4 mA and 20 mA values

To set 4 mA and 20 mA values after unlinking them from the empty/full values:

- 1 Select **Device Setup > 4 mA (LRV)** or **20 mA (URV)**.
- 2 Press **Edit**.
- 3 Set the appropriate value and press **OK**.

## Configuring the sensor

Certain sensor parameters can be configured to improve measurement accuracy. This configuration can be performed from the **Sensor Setup** menu under the **Device Setup** menu.

### Changing the distance measurement unit

The default unit for distance measurements (ullage, level, distance) is the meter (m).

To change that unit:

- 1 From the **Device Setup** menu, select **Sensor Setup > Length Unit**.
- 2 Press **Edit**.
- 3 Highlight the appropriate length unit and press **OK**.

### Selecting the application category

The application category is the type of media in which the sensor will be used. Applications are based on the dielectric constant (DC) value of the medium measured. The default application category is **Water-based (DC>10)**.

To set the application category:

- 1 Select **Device Setup > Sensor Setup > Application Category**.
- 2 Press **Edit**.
- 3 Highlight the appropriate application based on the measured DC of the medium and press **OK**.

### Disabling tracking of false echoes

The tracking of false echoes by LevelExpert™ provides means of ensuring a certain level of measurement accuracy despite the presence of false echoes (e.g., 2 mm accuracy cannot be achieved in the presence of false echoes). This feature automatically identifies and tracks false echoes in time, accounting for them while the sensor is measuring changing levels. False echo tracking is **enabled** by default.

Certain vessel content characteristics (e.g., agitation, emulsion, the presence of foam, etc.) could require disabling of this feature.



To disable false echo tracking:

- 1 Select **Device Setup** > **Sensor Setup** > **False Echo Tracking**.
- 2 Press **Edit**.
- 3 Highlight **Disable** and press **OK**.

### Resetting false echo tracking

There are situations, such as modifications made to the vessel, where false echo tracking might need to be reset, effectively erasing the false echo history and starting anew.

To reset the tracking of false echoes:

- 1 Select **Device Setup** > **Sensor Setup** > **Reset Tracking**.
- 2 Press **OK**.

False echo tracking is reset and you return to the previous menu.

## Setting up the application

Before starting level measurements, you need to set certain hardware parameters regarding the probe, the vessel and the instrument nozzle. These parameters are set in the **Application Setup** menu under the **Device Setup** menu.

Figure 30 The Device Setup menu



### Changing the probe type

Your instrument, as delivered, was configured with the type of probe ordered. Should you need to change the type of probe in the future, you also need to change the type in the LWT instrument.

To do so:

- 1 Select **Device Setup** > **Application Setup** > **Probe Type**.
- 2 Press **Edit**.
- 3 Highlight the appropriate probe type and press **OK**.

### Changing the probe length

The probe length is already programmed into the instrument. Should you have to physically shorten the probe for any reason, do not forget to change the probe length programmed in the instrument.

To do so:

- 1 Select **Device Setup** > **Application Setup** > **Probe Length**.
- 2 Press **Edit**.
- 3 Set the length of the shortened probe and press **OK**.

## Selecting a tank type

You can set the type of vessel in which the probe will be immersed. The type of vessel impacts the quality and nature of the signal sent down the probe. The default tank type is **Metallic**.

To do so:

- 1 Select **Device Setup > Application Setup > Tank Type**.
- 2 Press **Edit**.
- 3 Select the type of tank in which the probe will be immersed and press **OK**.

## Setting the nozzle length

You can set the length of the nozzle present on your tank. For an illustration of the concept, see Figure 33 on page 49.

To do so:

- 1 Select **Device Setup > Application Setup > Nozzle Length**.
- 2 Press **Edit**.
- 3 Set the length of the nozzle present on your tank and press **OK**.

## Setting the bypass/sw pipe diameter

If installing your LWT on a bypass or stilling well (SW), you need to set the diameter of said bypass/stilling well.

To do so:

- 1 Select **Device Setup > Application Setup > Bypass/SW pipe Diam..**
- 2 Press **Edit**.
- 3 Set the length of the bypass/stilling well and press **OK**.

## Changing the end of probe mode

The end of probe mode depends on your type of probe. By default, if you have a coaxial probe, your LWT is factory-set as **Grounded**. For rod and cable probes, your LWT is factory-set as **Isolated**.

To change the factory-set end-of-probe mode:

- 1 Select **Device Setup > Application Setup > End of Probe Mode**.
- 2 Press **Edit**.
- 3 Highlight the other end-of-probe mode and press **OK**.

## Toggling the remote transmitter state

If your instrument came with a remote transmitter unit, the head unit is configured to recognize that remote transmitter. However, should you remove the transmitter, or should you choose to add a transmitter at a later date, you need to toggle the remote transmitter state to represent the new configuration.

To do so:

- 1 Select **Device Setup > Application Setup > Remote Transmitter**.
- 2 Press **Edit**.
- 3 Highlight **On** or **Off** and press **OK**.

## Setting process conditions

You can also set the various conditions occurring inside the tank if you want them to be taken into consideration when the instrument is taking measurements. For this to happen, you need to enable any of the following conditions, when relevant:

- **Buildup detection** (residue that might be accumulated on the probe.)
- **Foaming** (foam that forms on top of the measured substance.)
- **Flashing** (drastic changes in level inside the vessel.)
- **Emulsion** (if two elements with vastly differing DCs are mixed temporarily, e.g., water and oil.)
- **Agitation** (if levels might be affected by moving objects inside the vessel, e.g. mixing blades.)
- **Changing dielectric constant** (if the dielectric constant of the vessel content changes depending of the phase of the content, e.g., liquid vs. vapor water.)

**All these conditions are disabled by default.** They are all enabled in a similar fashion, as explained below:

- 1 Select **Device Setup > Application Setup > Process Condition.**
- 2 Highlight the relevant process condition and press **Edit.**
- 3 Highlight **Enable** and press **OK.**

## Setting data filtering parameters

Processes can induce noise in level measurements. The LWT filtering feature is designed stabilize measurements by filtering out extraneous data that could negatively impact the resolution of the measured level (spikes, obstructions by mixer blades, lack of signal, etc.).

These parameters are set in the **Filtering** menu under the **Device Setup** menu.

Figure 31 The Device Setup menu



The various filters available are applied in a sequence as follows:

Max Level Rate — Median filter — Damping

### Selecting a maximum level rate

The maximum level rate is the rate at which the process will reach its Full limit. This influences the processing speed of the instrument. The default value is **No Filter**.

To set the maximum level rate:

- 1 Select **Device Setup > Filtering > Max Level Rate.**
- 2 Press **Edit.**
- 3 Highlight the appropriate maximum level rate and press **OK.**

## Setting up a median filter

The median filter is designed to filter out noisy measurement spikes in applications with fast transients (e.g., rapidly varying processes, positioning applications, etc). It is used for discarding occasional false measurements resulting from any occasional unwanted phenomena that might occur in the process.

The value entered corresponds to the number of measurements kept in the buffer. The filter then generates and returns a median value of all the measurements kept in the buffer. The buffer size can range from 1 to 50 measurements. The default value is **1**.



### NOTICE

Selecting 1 measurement effectively disables the median filter as no averaging can be performed.

To set a median filter:

- 1 Select **Device Setup > Filtering > Median Filter**.
- 2 Press **Edit**.
- 3 Set the number of measurements that you want kept in the filter buffer (between 1 and 50) and press **OK**.

## Setting up a damping period

The instrument damping filter is designed to smooth out measurement noise in applications with slow dynamics (e.g., liquids with slow waves).

The damping value corresponds to the time constant (ranging from 1.0 to 99.9 s) applied to the measurement returned by the median filter. The default value is **0.0 s** (no damping is applied).

To set a damping period:

- 1 Select **Device Setup > Filtering > Damping**.
- 2 Press **Edit**.
- 3 Set the damping period and press **OK**.

# Setting process parameters

Certain parameters linked to the process itself need to be configured, chiefly process alarms and process safety parameters. The following pages explain how to set these parameters.

## Setting process alarms

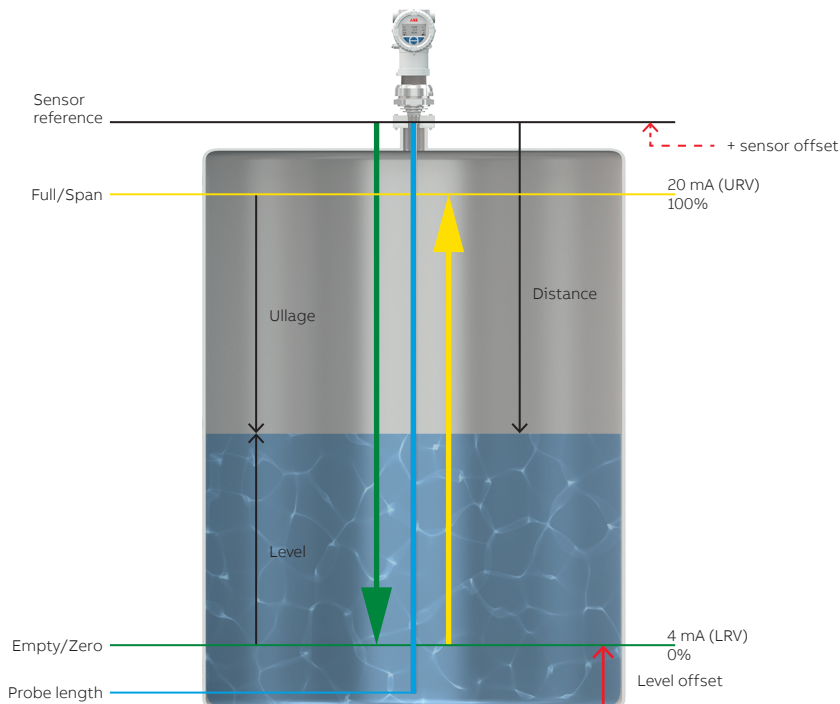
Alarms can be raised when process levels reach certain thresholds. **Low and high alarm thresholds are factory set and cannot be modified.** Low alarms are set at 3.6 mA and high alarms are set at 21.5 mA. Other process alarm parameters are configured from the **Process Alarm** menu.

Figure 32 The Process Alarm menu



Figure 33 illustrates these alarm-triggering thresholds.

Figure 33 Measurement concepts



The following pages explain how to set those threshold values.

## Setting failure mode

You can specify whether high or low failures (saturation and alarms) raise an alarm. The default value is **Low**.

To specify the failure mode:

- 1 Select **Process Alarm > Failure Mode**.
- 2 Press **Edit**.
- 3 Highlight **High** or **Low** and press **OK**.

## Setting saturation limits

Although process **alarm** levels cannot be modified, you can modify saturation limits.

To do so:

- 1 Select **Process Alarms > Saturation Limits > High Saturation** or **Low Saturation**.  
The low saturation default value is **3.80** mA. This value can be edited between 3.80 and 4.00 mA.  
The high saturation default value is **20.50** mA. This value can be edited between 20.00 and 20.50 mA.
- 2 Press **Edit**.
- 3 Set the new saturation value and press **OK**.

## Setting process safety parameters

Safety parameters can be configured to determine LWT behavior in cases where level measurements become uncertain or impossible (e.g., levels getting exceedingly high or loss of signal (echoes).

Process safety parameters (as illustrated in Figure 35) are set from the **Device Setup** menu.

Figure 34 The Device Setup menu



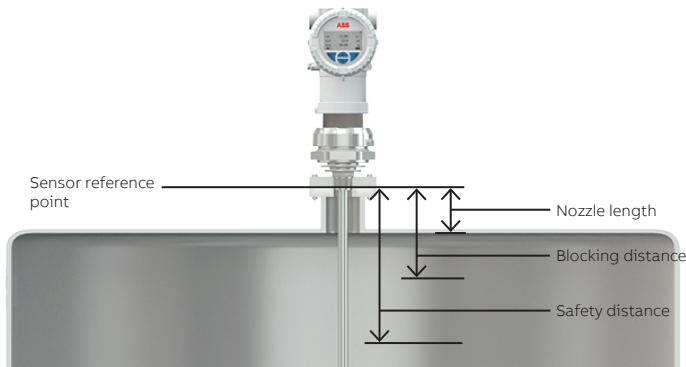
## Setting a blocking distance

The blocking distance is the distance **where you do not want the instrument to take measurements** because you know that these measurements will include erroneous or useless data (e.g., right at the junction between a nozzle and the inside of the vessel, where a giant pulse usually forms.)

To set a blocking distance:

- 1 Select **Device Setup > Safety Setting > Blocking distance**.
- 2 Press **Edit**.
- 3 Set the necessary blocking distance and press **OK**.

**Figure 35** Blocking and safety distances



### Setting a safety distance

The safety distance is a distance **where you can take measurements**, at levels preceding the blocking distance. Essentially, this is the distance between the sensor reference point and the 100 % full/span value, in case you might want to be informed when such levels are reached.

To set a safety distance:

- 1 Select **Device Setup > Safety Setting > Safety distance**.
- 2 Press **Edit**.
- 3 Set the necessary safety distance and press **OK**.

### Activating a safety distance related alarm

You can raise an alarm when the safety distance threshold is reached.

To to so:

- 1 Select **Device Setup > Safety Setting > Safety Dist. Reaction**.
- 2 Press **Edit**.
- 3 Highlight **Alarm** and press **OK**.

### Managing lost echoes

A lost echo happens when your instrument loses the signal returning to the sensor. You can set the parameters that help your instrument manage such situations.

#### Period

The lost echo period is the time period during which the instrument waits before reacting.

To set a lost echo period:

- 1 Select **Device Setup > Safety Setting > Echo Lost Period**.
- 2 Press **Edit**.
- 3 Set the period of time for lost echoes and press **OK**.

## Reaction

You can configure the instrument reaction when echoes are lost for the set period of time: hold the last value measured, hold a constant value, raise an alarm or ramp up results from the last measured value.

To do so:

- 1 Select **Device Setup** > **Safety Setting** > **Echo Lost Reaction**.
- 2 Press **Edit**.
- 3 Highlight the necessary reaction and press **OK**.

## Value

This is the value to hold if you select **Constant Value** from the **Echo Lost Reaction** menu.

To set the constant value to hold:

- 1 Select **Device Setup** > **Safety Setting** > **Echo Lost Value**.
- 2 Press **Edit**.
- 3 Set the value for lost echoes and press **OK**.

## Ramp

You can set an expected rate (in %/min) at which the vessel should fill up (or drain if the %/min is negative) even once echoes are lost. This value applies when you select **Ramp Value** from the **Lost Echo Reaction** menu.

To set the ramp-up rate to apply when echoes are lost:

- 1 Select **Device Setup** > **Safety Setting** > **Echo Lost Ramp**.
- 2 Press **Edit**.
- 3 Set the ramp-up value in percentage per minute (%/min) and press **OK**.



### NOTICE

The ramp-up value can be negative if you expect the level to go down.

## Setting up linearization

In your LWT instrument, the linearization function allows more accurate volume measurements by referring to a preset linearization table.

## Understanding linearization

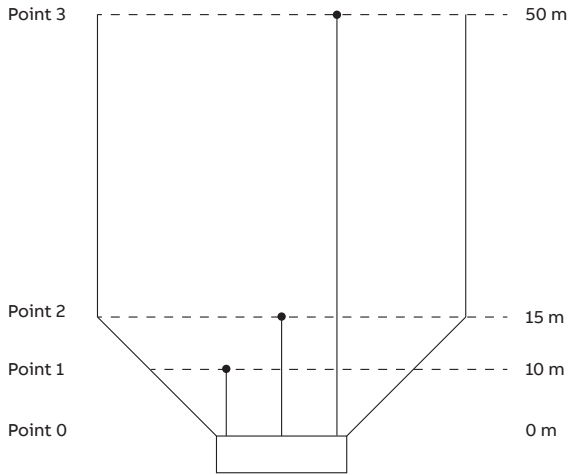
Linearization is especially useful in irregularly shaped vessels (cylindrical lying tanks, spherical gas tanks, etc.), but in all applications, regardless of vessel shape, it is used to convert level to volume or flow.

The linearization table provides the instrument with data regarding known volumes at specific levels in the irregularly shaped part of a vessel.

Below is an example of the relationship between a linearization table actual measured levels:



**Figure 36** Actual level vs. linearization table points



If Figure 36 was translated in actual values, it could be put in a table as such:

**Table 1** Level vs. Volume in linearization feature

Linearization point	Level (m)	Associated volume (m <sup>3</sup> )
0	0	0
1	10	100
2	15	300
3	50	1500

As you can see, the level-to-volume conversion does not progress in a linear fashion because of the irregular shape of the vessel. By creating a linearization table with proper values, this function allows to compensate for the irregular shape of the vessel.

In LWT instruments, there is an order in which to perform operations and make the feature functional:

- Access the function.
- Set the linearization table.
- Activate the function.

All these operations are performed from the **Device Setup** menu.

**Figure 37** The Device Setup menu



## Accessing the linearization function

To access the linearization function:

- 1 Select **Device Setup > Linearization > Setup > Output Type**.
- 2 Press **Edit**.
- 3 Highlight the measurement value that you want to use (**Volume** or **Flow**) and press **OK**.  
This activates a series of parameters that will be explained and configured below.

## Setting the linearization input unit

To set the input unit used by the linearization function:

- 1 Select **Device Setup > Linearization > Setup > Input Unit**.
- 2 Press **Edit**.
- 3 Highlight the unit that will be used to input data into the linearization calculation and press **OK**.

## Setting the linearization output unit

To set the volume of flow output unit resulting from the linearization calculation:

- 1 Select **Device Setup > Linearization > Setup > Output Unit**.
- 2 Press **Edit**.
- 3 Highlight the volume or flow unit that will be used with data output from the linearization calculation and press **OK**.

## Setting the maximum volume/flow value

To set the maximum volume of flow value to measure: :

- 1 Select **Device Setup > Linearization > Setup > Maximum**.
- 2 Press **Edit**.
- 3 Set the maximum volume or flow value that the instrument will have to measure and press **OK**.

## Setting vessel parameters



### NOTICE

The following parameters are only available if you selected **Volume** as your output type (see “Accessing the linearization function” on page 54).

When measuring volumes, you must set the following vessel (tank) parameters:

- Orientation
- Diameter
- Length

### Setting the vessel orientation

To set the vessel orientation:

- 1 Select **Device Setup > Linearization > Volume Calculation > Cylinder Orientation**.
- 2 Press **Edit**.
- 3 Highlight the orientation of your tank (**Vertical** or **Horizontal**) and press **OK**.

## Setting the vessel diameter

To set the vessel diameter:

- 1 Select **Device Setup** > **Linearization** > **Volume Calculation** > **Cylinder Diameter**.
- 2 Press **Edit**.
- 3 Set the vessel diameter and press **OK**.

## Setting the vessel length

To set the vessel length:

- 1 Select **Device Setup** > **Linearization** > **Volume Calculation** > **Cylinder Length**.
- 2 Press **Edit**.
- 3 Set the vessel length and press **OK**.

## Setting up linearization points

The first point is always the point with the lowest value and all other points must be set in increasing order.

To properly configure the linearization feature:

To access the linearization function:

- 1 Select **Device Setup** > **Linearization** > **Set LIN. Points**.  
The **00** linearization point is highlighted (see below).
- 2 Press the Left action key to select the measured level (**In**).
- 3 Press the Right action key to edit the **In** value, and press **OK** when you are done.
- 4 Press the Left action key to select the volume associated with the measured level (**Out**).
- 5 Press the Right action key to edit the **Out** value, and press **OK** when you are done.
- 6 Press the Left action key to highlight the linearization point again.
- 7 With the Up and Down arrow keys, change the linearization point.
- 8 Repeat steps 2 to 6 for all the required linearization points.
- 9 All your linearization points that you just created compose your linearization table.

## Saving your linearization table

To save the linearization table that you just created (see above):

- 1 Select **Device Setup** > **Linearization** > **Saved Tables** > **Save**.
- 2 Press **OK**. Your linearization table is saved in memory.

## Enabling the linearization function

To activate the linearization function:

- 1 Select **Device Setup** > **Linearization** > **Setup** > **Table State**.
- 2 Press **Edit**.
- 3 Highlight **Enabled** and press **OK**.

The linearization function is now active and volumes (or flow) are being measured accordingly.

## Managing saved linearization tables

You can clear an existing linearization table if you want to start from scratch (e.g., if you moved your instrument to a different tank) and you can restore the existing table if you want to erase the linearization table under development and reload the saved table.

### Deleting the linearization table

To delete the saved linearization table that you just created (see above):

- 1 Select **Device Setup > Linearization > Saved Tables > Clear**.
- 2 Press **OK**. Your linearization table is erased.



#### NOTICE

Clearing the linearization table deactivates all volume measurements settings.

### Restoring a linearization table

To restore your saved linearization table:

- 1 Select **Device Setup > Linearization > Saved Tables > Restore**.
- 2 Press **OK**. Your saved linearization table is restored.

# Managing device setups

Configuring or reconfiguring your instrument could take a non trivial amount of time. With that in mind, once you have properly configured your instrument, you can save your setup as a baseline configuration that you can revert to if necessary. The following pages explain how to proceed.

## Saving a default user setup

To save your current configuration as your default user setup:

- 1 Select **Device Setup > Save Setup & reset > Save as User Default.**
- 2 Press **OK**. Your current setup is saved in the instrument non-volatile memory.

## Resetting to default user setup

Provided that you have already saved a setup as your default setup, you can return to that default user setup at any time.

To do so:

- 1 Select **Device Setup > Save Setup & reset> Reset to User Default.**
- 2 Press **OK**. Your current setup is erased and replaced with the default user setup.

## Resetting to factory default

Should you be in a situation where the default user setup does not work anymore (e.g., you have moved the LWT instrument to a new vessel), you can simply revert to the factory default setup and start configuring your instrument anew.

To do so:

- 1 Select **Device Setup > Save Setup & reset. > Global Factory Reset.**
- 2 Press **OK**. Your current setup is erased and replaced with the default factory setup.

**Page intentionally left blank**

# Setting calibration parameters

Should configuration with the **Easy Setup** menu not be enough to meet your needs, you will have to calibrate your instrument and enter specific values to perform this calibration. The following pages explain how to do this.

## Setting level calibration parameters

Level calibration parameters are set under the **Calibrate** menu. Figure 39 illustrates these parameters

Figure 38 The Calibrate menu



## Changing the empty/zero value

This value (probably set initially from the **Easy Setup** menu) represents the lowest level measurement value in your vessel.

To set that value:

- 1 Select **Calibrate** > **Level Calibration** > **Empty/Zero**.
- 2 Press **Edit**.
- 3 Set the value as necessary and press **OK**.

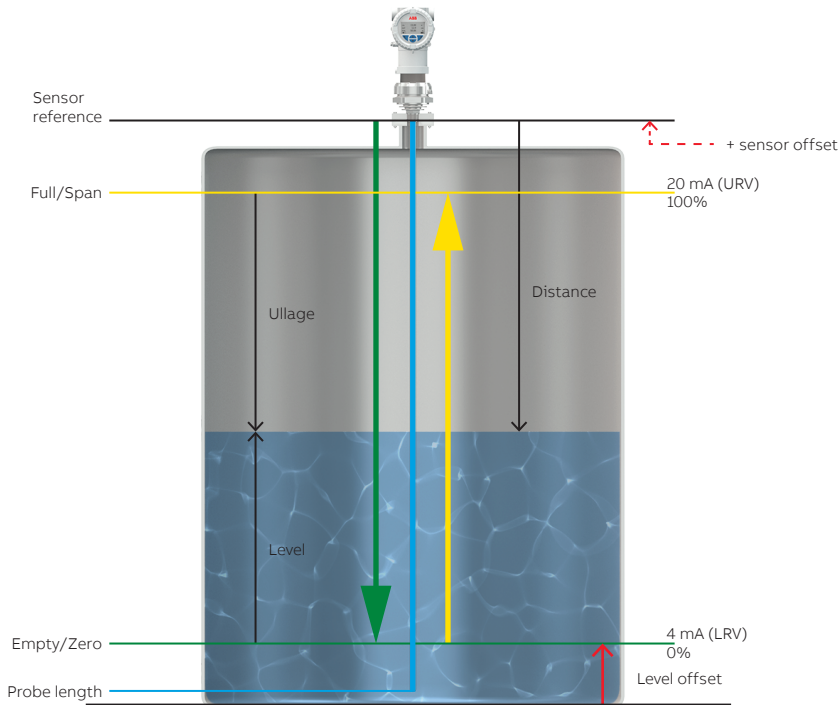
By default, the empty/zero value is linked to the 4 mA value.



### NOTICE

Make sure that the empty value is less than or equal to the full value.

**Figure 39** Calibration parameters



## Changing the full/span value

This value (probably set initially from the **Easy Setup** menu) represents the highest level measurement value in your vessel.

To set that value:

- 1 Select **Calibrate > Level Calibration > Full/Span**.
- 2 Press **Edit**.
- 3 Set the value as necessary and press **OK**.

By default, the full/span value is linked to the 20 mA value.

## Adding a level offset

A level offset is a distance that you might add and that represents the distance between the bottom of the tank and the empty/zero value.

The default value for this parameter is **0** m. The value can be set between **-50** and **50** m.

To set that value:

- 1 Select **Calibrate > Level Calibration > Level Offset**.
- 2 Press **Edit**.
- 3 Set the value as necessary and press **OK**.



## Adding a sensor offset

A sensor offset is a small distance that you might need to add to the sensor reference value (e.g., if the probe is bent slightly at the junction with the sensor).

The default value for this parameter is **0** m. The value can be set between **-30** to **30** m.

To set that value:

- 1 Select **Calibrate > Level Calibration > Sensor Offset**.
- 2 Press **Edit**.
- 3 Set the value as necessary and press **OK**.

## Setting upper/lower (4–20 mA) reference values

The upper and lower current reference values are automatically linked to the empty/zero and full/span values when configuring the LWT instrument for the first time with the **Easy Setup** menu.

You cannot change these current reference values while they are linked (the instrument will not let you do it). For more information on unlinking the reference values, see "Unlinking the primary value from the empty/full values" on page 43.

The default value for these parameters is **0** m. The value can be set between **0** and **75** m.

To set these values (once unlinked):

- 1 Select **Calibrate > Level Calibration > 4 mA (LRV) or 20 mA (URV)**.

LRV is the lower reference value and URV is the upper reference value.

The LRV default value is **0** m. This value can be edited between **0** and **75** m.

The URV default value is the probe length. This value can be edited between **0** and **75** m.

- 2 Press **Edit**.
- 3 Set the new reference value and press **OK**.

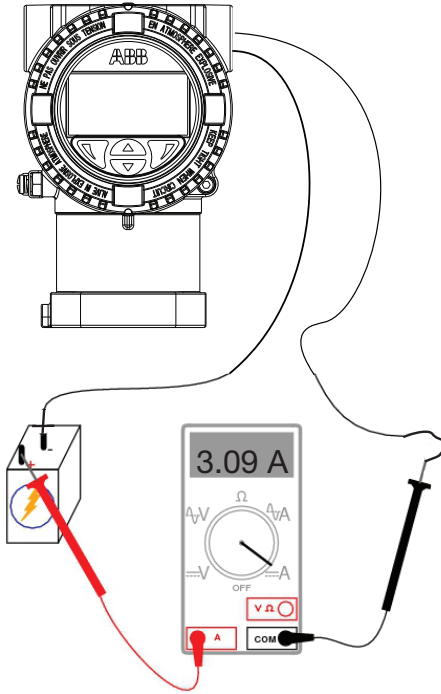
## Setting 4–20 mA D/A trim

LWT instruments are factory-calibrated to reflect the published declared performance specifications. No further calibration is required in normal usage condition.

Once an LWT is installed and wired, the field wiring and other current loop components may affect the mA **output** that is received at the point of control. The D/A trim is used to compensate for the presence of the loop components and allow the point of control to receive a true 4 mA and 20 mA currents.

Performing this calibration requires a 24 V DC input in series with an ammeter.

**Figure 40** Setting the D/A trim



## Setting the 4 mA trim

To set the 4 mA trim:

- 1 Select **Calibrate > 4-20 mA D/A Trim > 4 mA Trim**.
- 2 Press **Edit**.
- 3 Change the default value to the value indicated on the ammeter and press **OK**.

## Setting the 20 mA trim

To set the 20 mA trim:

- 1 Select **Calibrate > 4-20 mA D/A Trim > 20 mA Trim**.
- 2 Press **Edit**.
- 3 Change the default value to the value indicated on the ammeter and press **OK**.

## Resetting the D/A trim

To reset the 4–20 mA trim:

- 1 Select **Calibrate** > **4-20 mA D/A Trim** > **Reset D/A Trim**.
- 2 Press **OK**. The D/A trim is reset.

## Setting a current simulation

To validate that calibration was successful, you can simulate a current output.

To perform the simulation:

- 1 Select **Calibrate** > **4-20 mA D/A Trim** > **Current Simulation**.
- 2 Press **Edit**.
- 3 Set a current value (between 3.5 mA and 23.6 mA) that you want the instrument to generate and press **OK**.

The ammeter should have a reading identical to the value entered.

**Page intentionally left blank**

# Configuring communications

Certain communication parameters are set from the **Communication** menu, including setting of the instrument network address and activation of the multi-instrument feature (a.k.a. multidrop).

**Figure 41** The Communication menu



## Setting dynamic values

The LWT instrument can monitor up to four values. These values are identified as primary (PV), secondary (SV), tertiary (TV), and quaternary (QV).

The primary value (PV) is the only value directly linked to the 4–20 mA loop. It impacts other parameters used by the instrument. For more information on setting the primary value, see “Setting up the primary value (PV)” on page 43.

To set the remaining values, as necessary:

- 1 Select **Communication** > **Dynamic Variables** > **Set** [**SV**, **TV** or **QV**].
- 2 Press **Edit**.
- 3 Highlight one of the available values that you want to monitor (level, distance, ullage, amplitude, electronics temperature, terminal voltage) and press **OK**.



### NOTICE

As amplitude, electronics temperature and terminal voltage are not directly related to level measurement, they are not available as a primary value.

## Activating multidrop mode

In multidrop mode, the analog loop current is fixed at 4 mA and it is possible to have more than one instrument on a signal loop. Each instrument must have a unique address.

To make your instrument available on a network, you need to activate the multidrop mode.

- 1 Select **Communication > Multidrop Mode**.
- 2 Press **Edit**.
- 3 Highlight **On** and press **OK**. Your instrument will now be able to appear on a network once you set the instrument address.

## Setting devices address

To set the instrument address so that it can be identified on a network:

- 1 Select **Communication > Device Address**.
- 2 Press **Edit**.
- 3 Set an address between 0 and 63 and press **OK**. Your instrument should now appear on a network if you have activated the multidrop mode.

## Locating an instrument with tags

A tag is intended to simplify identifying the location of a LWT instrument on the network, in the plant, etc.

To create a tag for the instrument:

- 1 Select **Communication > Tag**.
- 2 Press **Edit**.
- 3 Set a tag name (see “Setting a value” on page 31).

## Browsing communication info

From the **Communication** menu, you can quickly browse through the various factory-set communication parameters such as:

- The last command received
- The device ID
- The manufacturer ID
- The device type
- The device descriptor
- The device revision number
- The HART revision number

# Maintenance and troubleshooting

LWT instruments are designed to withstand many industrial environmental conditions.

They contain no moving parts and, aside from the probe, no field-replaceable parts. For this reason, no regular maintenance is required to keep the instrument in compliance.

Additionally, no user/operator adjustments inside LWT instruments are necessary or recommended by ABB. Service tasks that are not explained in this documentation are to be performed at the factory by qualified service personnel only.

Contact ABB for any additional information, or in the event of specific problems not covered in this user guide.



## NOTICE

**Opening the instrument** for any reason other than the procedures indicated in this documentation **voids the warranty**.



## NOTICE

Since the instrument may form part of a safety chain, ABB recommends replacing the instrument immediately if any defects are detected.

## Diagnosing problems

If the LWT instrument is malfunctioning in any way, the LCD displays specific event messages destined to help you identify and understand the situation.

When an event happens, a message consisting of an icon and text appears at the bottom of the LCD.

Figure 42 LCD before and during an error







This short message gives you a quick indication of the nature of the situation at hand. The text beside the icon provides information about the potential source of the problem.

All these text messages are saved in a diagnostic history. You can browse through this diagnostics history and clear this history when all events have been accounted for.


The following table gives you a quick way to identify the basic problems.

**Table 2** Basic problem identification from LCD

Icon	Description	Error text
	Error/Failure	
	Functional check (e.g., during simulation)	Configuration Electronic Operation
	Out of specification	Process Transmitter
	Maintenance required	

To obtain more information about the currently diagnosed error, you need to access the **Diagnostics operator** menu.

To do so:

- 1 From the displayed Operator page, press the left action key () to access the operator menus.
- 2 Highlight and select **Diagnostics**.

In the error description, the error number is displayed on the second line (e.g., **--F200.010--**). For more information on event messages, see “Event codes and recommendations” on page 69.

## Browsing the diagnostics history

To browse through the diagnostics history:

- 1 From the **Diagnostics** menu, select **Diagnostic History**.

**Figure 43** The Diagnostic menu



The last event message appears. To browse through all event messages, press the Up and Down arrow keys.

- 2 Once you are done browsing, press **Back**.

## Clearing the diagnostic history

To clear all diagnostic messages kept in the history:

- 1 From the **Diagnostics** menu, select **Clear History**.
- 2 Press **OK**. All event messages kept in the diagnostic history are erased.



## Event codes and recommendations

Below is a list of the event codes that your LWT instrument might display, should a problem arise. The first letter of the code refers to NAMUR codes:

- F: Failures
- S: Function check
- C: Out of specifications
- M: Maintenance request

**Table 3** Event codes and recommended action

No.	Event message	Recommended action
S080.000	Maximum level rate exceeded	Make sure that the max level rate matches the process.
S081.001	GPC alarm, last valid gpc used	Check installation, GPC marker position, buildup and process conditions.
F203.002	Surface has lost surface echo	Check installation and parameter adjustments.
F234.005	Electronic failure or harsh env	Check installation for high vibrations or EMC interference.
F200.010	PV value out of range	Check process conditions and/or device configuration
C153.011	GPC currently in calibration	Wait for calibration to finish.
S083.012	Too many echos detected	Check installation or device parameters.
F233.013	Reference echo not detected	Check installation and coupler connection.
F210.016	Invalid device parameters	Enter valid parameters.
F236.017	Sensor NV Failure	The sensor should be replaced as soon as possible.
F202.019	Surface inside blocking distance	Check process conditions and device configuration.
F237.020	Sensor Board communication error.	Restart the device. If condition persists, call ABB for replacement.
F223.023	Electronics NV Failure	The electronics must be replaced; call ABB.
S082.024	Weak echo amplitude	Check installation and process conditions.
F232.025	Loss of RF connection	Check the connection between the instrument head and the coupler.
F201.026	Surface inside safety distance	Check process conditions and device configuration.
M030.031	Maintenance required	Verify instrument functionality and clear the diagnostic message.
M010.032	Supply voltage error	Make sure that power supply voltage at the device terminal is between 15.5 V DC and 42 V DC.
M011.033	Temperature out of range	Check ambient temperature Use instrument with remote option
F230.034	First coupler seal leak	Check coupler.
F235.035	Load sensor configuration failure	Restart the device. If condition persists, call ABB for replacement.
C151.036	Data Simulation warning	The level value produced in output is derived by the value simulated in input
C150.037	Alarm Simulation warning	An alarm condition is being simulated by the device.
C152.038	Current output in fixed mode	Output current is in fixed mode. This could be due to the device being used in multidrop mode or a simulation.

No.	Event message	Recommended action
F224.039	Primary current uncertain	4–20 mA D/A trim should be performed; if error persists, the communication board must be replaced.
F221.040	Electronics Board ROM failure	Restart the device. If condition persists, call ABB for replacement.
F220.041	Electronics Board RAM failure	Restart the device. If condition persists, call ABB for replacement.
M012.042	NV replace error.	Restart the device. If condition persists, call ABB for replacement.
S084.043	Current output saturated	Check process conditions and/or device configuration.
F222.044	Current output ReadBack error	4–20 mA D/A trim should be performed; if error persists, the communication board must be replaced.
M035.045	HMI validation test failure	Replace the HMI; call ABB.
F231.046	Broken probe or wrong length	Replace probe or adjust probe length.
M026.047	Build-up on probe	Clean probe.



#### NOTICE

Regardless of the success or failure of the recommended action, you can always contact ABB service representatives if a problem occurs.

## Masking classes of events

Instrument event codes are recorded according to the NAMUR classification (see page 68). By default, these events are displayed in the diagnostic history, but you can choose to mask certain classes of events.

To do so:

- 1 Select **Diagnostics > Class Masking**.
- 2 Highlight the class of events that you want to mask:
  - **Maintenance Required**
  - **Check Function**
  - **Off Specification**
  - **Info/None**
- 3 Press **Edit**.
- 4 Highlight **Enable** for the selected class of events and press **OK**.  
This class of events will now be masked.

# Diagnosing from a waveform

Most echo-related problems, as listed in Table 3, can also be diagnosed with the help of the integrated waveform display. Waveform management is performed from the **Diagnostics** menu.

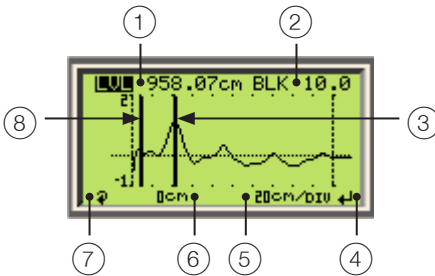
Figure 44 Accessing the waveform display



## Introducing the waveform display

The waveform display illustrates the signal traveling along the probe.

Figure 45 The waveform display



- |   |   |
|---|---|
| ① | Display of the level (LVL), distance (DIS) or ullage (ULL) value    |
| ② | Display of the blocking distance (BLK) or safety distance (SFD)     |
| ③ | Level marker  |
| ④ | Exit or Edit indicator  |
| ⑤ | Zoom information  |
| ⑥ | Reference distance  |
| ⑦ | Display value selector  |
| ⑧ | Blocking distance (or safety distance, if SFD selected in ②) marker |

## Accessing the waveform display

You access the waveform display from the **Diagnostics** menu by selecting around which point along the waveform you want to center your marker.

- To access the waveform display, select **Diagnostics > Waveform > [desired centering location]**. (**At Sensor Ref. Point, At Level, At Distance, or At End of Probe**).

## Navigating through echoes

Once you have accessed the waveform display, you can browse through and select various echoes, and see their respective distances.

### Obtaining the distance for the current level

The current distance displays the measured distance between the reference point and the level. This feature allows you to select another echo as the level echo (previous or next) and confirm that the measured distance matches the real distance.

To select the current distance:

- 1 Select **Diagnostics > Waveform > Level Echo Selection > Current Distance**.

The distance of the current level echo appears.

- 2 Press **Back**.

### Selecting another echo

To select the previous or next echo:

- 1 Select **Diagnostics > Waveform > Level Echo Selection > Select Previous Echo** or **Select Next Echo**.

- 2 Press **OK**. The chosen echo is selected.

- 3 Press **Back**.

- 4 Select **Current Distance** to verify that this is the echo that you wanted to select. If not, repeat steps 1 to 3 until you have selected the echo that you want.

- 5 Once you have selected the echo that you want, select **Confirm Current Echo** and press **OK**.

## Recording a waveform

The recorded waveform can be used for comparison purposes, and review using DTM/FIM tools.

To record the waveform:

- 1 Select **Diagnostics > Waveform > Record Waveform**.

- 2 Press **OK**. The waveform is recorded.

# Performing simulations and tests

The simulation tools, found in the **Simulation** menu under the **Diagnostics** menu, help confirm proper communication of measured values. There are three standard simulations all performed in a similar way (distance, level, ullage). There are also current simulations. All are explained below.

Figure 46 The Diagnostics menu



## Performing standard simulations

Standard simulations are performed by setting a value that you want to communicate and enabling the simulation afterwards. The procedure below explains the procedure for level simulations, but a similar method can be used for distance and ullage simulations.

To perform a level simulation

- 1 Select **Diagnostics** > **Simulation** > **Level Sim** > **Level Sim**.
- 2 Press **Edit**.
- 3 Set the level value that you want to simulate and press **OK**.
- 4 Press **Back**.
- 5 Select **Enable** and press **Edit**.
- 6 Press **OK**.

The instrument sends level data signals on the network and the value set should appear as a reading on a DTM interface or HART terminal.

## Performing current simulations

To perform a current simulation

- 1 Select **Diagnostics** > **Simulation** > **Current Simulation**.
- 2 Press **Edit**.
- 3 Set the current that you want to simulate and press **OK**.

The instrument sends the set current on the network and the value set should appear as a reading on a DTM interface or HART terminal.

# Obtaining device status data

For diagnostic purposes, you may need to gather data about the status of the instrument (probe length, current voltage [as well as minimum and maximum recorded], current electronics temperature [as well as minimum and maximum recorded] and total instrument run time).

## Probe length

To confirm probe length:

- 1 Select **Diagnostics > Device Status> Probe Length Status**.  
The probe length is indicated.
- 2 Press **Back** to return to the **Device Status** menu.

## Terminal voltage

To confirm the actual terminal voltage:

- 1 Select **Diagnostics > Device Status> Terminal Voltage > Terminal Voltage**.  
The terminal voltage is indicated.
- 2 Press **Back** to return to the **Device Status** menu.

## Minimum/maximum terminal voltage recorded

To obtain the minimum and maximum terminal voltages recorded:

- 1 Select **Diagnostics > Device Status> Terminal Voltage > Min Terminal Voltage** or **Max Terminal Voltage**.  
The minimum or maximum terminal voltage recorded is indicated.
- 2 Press **Back** to return to the **Device Status** menu.

## Resetting the minimum/maximum terminal voltage recorded

To reset the minimum and maximum terminal voltages recorded:

- 1 Select **Diagnostics > Device Status> Terminal Voltage > Reset Min/Max**.
- 2 Press **OK** to reset the values.
- 3 Press **Back** to return to the **Device Status** menu.

## Electronics temperature

To confirm the actual electronics temperature:

- 1 Select **Diagnostics > Device Status > Electronic Temp. > Electronic Temp.**.  
The electronics temperature is indicated.
- 2 Press **Back** to return to the **Device Status** menu.

## Minimum/maximum electronics temperature recorded

To obtain the minimum and maximum electronics temperature recorded:

- 1 Select **Diagnostics > Device Status> Electronic Temp. > Min Electronic Temp.** or **Max Electronic Temp.**.  
The minimum or maximum electronics temperature recorded is indicated.
- 2 Press **Back** to return to the **Device Status** menu.

## Resetting the minimum/maximum electronics temperature recorded

To reset the minimum and maximum electronics temperature recorded:

- 1 Select **Diagnostics** > **Device Status** > **Electronic Temp.** > **Reset Min/Max.**
- 2 Press **OK** to reset the values.
- 3 Press **Back** to return to the **Device Status** menu.

## Total run time

To confirm the total instrument run time:

- 1 Select **Diagnostics** > **Total Run Time.**  
The total run time of the instrument is indicated.
- 2 Press **Back** to return to the **Device Status** menu.

## Accessing device information

When calling an ABB service representative, you might be asked to provide any of the following information, available from the **Device Info** menu:

**Figure 47** The Device Info menu



- Manufacturer
- Name
- Model
- Device ID
- Device Serial number
- Order code
- Manufacturing date
- Installation date
- Last modify date
- Address
- City
- Phone number
- Hardware revision
- Software revision

**Page intentionally left blank**





APPENDIX A

# Specifications

For instrument specifications, refer to the instrument datasheet.

**Page intentionally left blank**

---

## APPENDIX B

# HMI menu tree

The following pages provide an overview of the various menu items accessible through the instrument human-machine interface (HMI).

### First-level menu

Menu item	Details	Main chapters
Access Level	page B79	
Easy Setup	page B80	
Device Setup	page B80	
Display	page B82	
Process Alarm	page B82	
Calibrate	page B82	
Diagnostics	page B82	
Device Info	page B84	
Communication	page B84	

### Access Level menu

Item
Logout
Read Only
Standard
Advanced
Service

## Easy Setup menu

Item
Language
Set PV (4-20mA)
PV Unit
↓Empty/Zero
↑Full/Span
Application Category
Max Level Rate
Display Line1 View1

## Device Setup menu

Item	Submenus	
Access Control	Standard Password	
	Advanced Password	
	Reset Password	
	Write Protect	Software WP
	Hardware WP	
PV Setup	Set PV (4-20mA)	
	PV Unit	
	Link 4-20mA to Z/S	
	4mA (LRV)	
	20mA (URV)	
Sensor Setup	Length unit	
	Gas Phase Compensation	GPC Mode
		GPC Marker Distance
		GPC Static Factor
	Application Category	
	False Echo Tracking	
	Reset Tracking	

Item	Submenus	
Application Setup	Probe Type	
	Probe Length	
	Tank type	
	Nozzle Length	
	Bypass/SW pipe Diam.	
	End Of Probe Mode	
	Remote Transmitter	
	Process Conditions	Buildup
		Foam
		Flashing
	Emulsion	
	Agitated	
	Changing DC	
Filtering	Damping	
	Median Filter	
	Max Level Rate	
Safety Settings	Blocking Distance	
	Safety Distance	
	Safety Dist. Reaction	
	Echo Lost Period	
	Echo Lost Reaction	
	Echo Lost Value	
Linearization	Setup	Table State
		Output Type
		Input Unit
		Output Unit
		Maximum
	Volume Calculation	Cylinder Orientation
		Cylinder Diameter
		Cylinder Length
		Gen. Linearization
	Set Lin. Points	
	Saved Tables	Clear
		Restore
		Save
Setup Save & Reset	Save as user default	
	Reset to user default	
	Global Factory Reset	

## Display menu

Item	Submenus
Language	
Contrast	
Operator pages	Operator page 1
	Operator page 2
	Operator page 3
	Operator page 4
Autoscroll	
Length format	
Flow format	
Volume Format	
Date/Time Format	

## Process Alarm menu

Item	Submenus
Alarm source	
Failure Mode	
Low alarm current	
High Alarm current	
Alarm Delay	
Saturation Limits	Low Saturation
	High Saturation

## Calibrate menu

Item	Submenus
Level	↓Empty/Zero
	↑Full/Span
	Level Offset
	Sensor Offset
	4mA (LRV)
	20mA (URV)
4-20mA D/A Trim	4mA Trim
	20mA Trim
	Reset D/A Trim
	Current simulation

## Diagnostics menu

Item	Submenus	
Waveform	At Sensor Ref Point	
	At Level	
	At Distance	
	At End of Probe	
	Record Waveform	
	Level Echo Selection	Current Distance
		Select Previous Echo
	Select Next Echo	
	Confirm Current Echo	
Diagnostic History		
Clear History		
Class Masking	Maintenance Req.	
	Check Function	
	Off Specification	
	Info/None	
Simulation	Distance	
	Level	
	Ullage	
	Volume	
	Flow	
	Current simulation	
Device Status	Probe Length Status	
	Terminal Voltage	Terminal Voltage
		Min Terminal Voltage
		Max Terminal Voltage
		Reset Min/Max
	Electronic Temp.	Electronic Temp.
		Min Electronic Temp.
		Max Electronic Temp.
		Reset Min/Max
	Total Run Time	
Self Test		

## Device Info menu

Item
Manufacturer
Name
Model
Device ID
Device Serial Number
Order Code
Manufacturing Date
Installation Date
Last Modification Date
Address
City
Phone Number
Software revision
Hardware revision

## Communication menu

Item	Submenus
Dynamic Variables	SV
	TV
	QV
Multi-drop mode	
Devices Address	
Tag	
Message	
Last Command	
Device ID	
Manufacturer ID	
Device Type	
Descriptor	
Device Revision	
HART Revision	











---

**ABB, Inc.**  
**Measurement & Analytics**

3400, rue Pierre-Ardouin  
Québec (Québec) G1P 0B2  
Canada

**Phone:**  
North America: 1 800 858 3847  
Worldwide: +1 418 877 8111

**E-mail:**  
[level.support@ca.abb.com](mailto:level.support@ca.abb.com)

---

We reserve the right to make technical changes or modify the contents of this document without prior notice. With regard to purchase orders, the agreed particulars shall prevail. ABB does not accept any responsibility whatsoever for potential errors or possible lack of information in this document.

We reserve all rights in this document and in the subject matter and illustrations contained therein. Any reproduction, disclosure to third parties or utilization of its contents—in whole or in part—is forbidden without prior written consent from ABB.

© ABB, 2018